

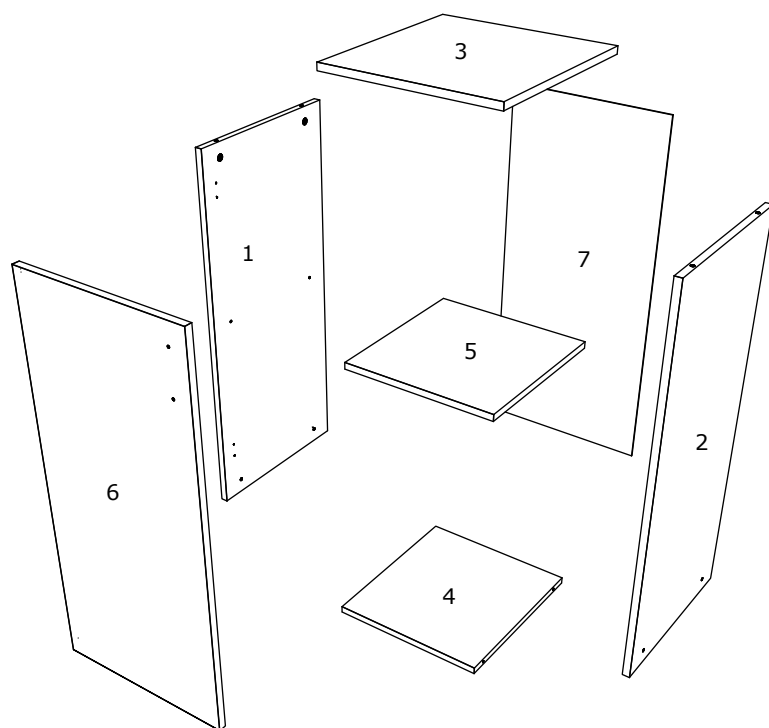
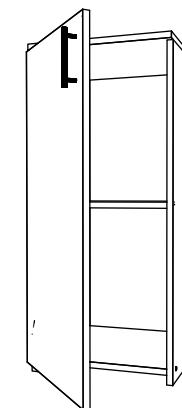
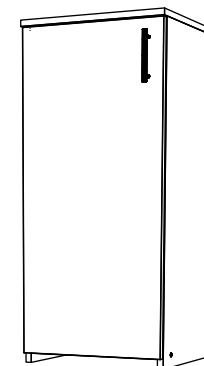
**RO** INSTRUCȚIUNI DE ASAMBLARE - **COMODA 1 USA- 40 x 42 x 90 CM**

**EN** ASSEMBLY INSTRUCTIONS - **COMMODE 1 DOOR - 40 x 42 x 90 CM**

**FR** ISTRUCTIONS DE MONTAGE - **COMMODE 1 PORTE - 40 x 42 x 90 CM**

**HU** ÖSSZESZERELÉSI ÚTMUTATÓ - **Egyajtós komód- 40 x 42 x 90 CM**

**BG** ИНСТРУКЦИИ ЗА СГЛОБЯВАНЕ - **Шкаф/комод с една вратичка- 40 x 42 x 90 CM**



**RO**

| NUMAR | LUNGIME | LATIME | BUC | CULOARE     |
|-------|---------|--------|-----|-------------|
| 1     | 884     | 400    | 1   | CULOARE     |
| 2     | 884     | 400    | 1   | CULOARE     |
| 3     | 402     | 420    | 1   | CULOARE     |
| 4     | 368     | 400    | 1   | CULOARE     |
| 5     | 368     | 380    | 1   | CULOARE     |
| 6     | 855     | 396    | 1   | CULOARE     |
| 7     | 870     | 396    | 1   | PANOU SPATE |

**EN**

| NUMBER | LENGTH | WIDTH | PCS | COLOUR      |
|--------|--------|-------|-----|-------------|
| 1      | 884    | 400   | 1   | COLOUR      |
| 2      | 884    | 400   | 1   | COLOUR      |
| 3      | 402    | 420   | 1   | COLOUR      |
| 4      | 368    | 400   | 1   | COLOUR      |
| 5      | 368    | 380   | 1   | COLOUR      |
| 6      | 855    | 396   | 1   | COLOUR      |
| 7      | 870    | 396   | 1   | BACK PANNEL |

**HU**

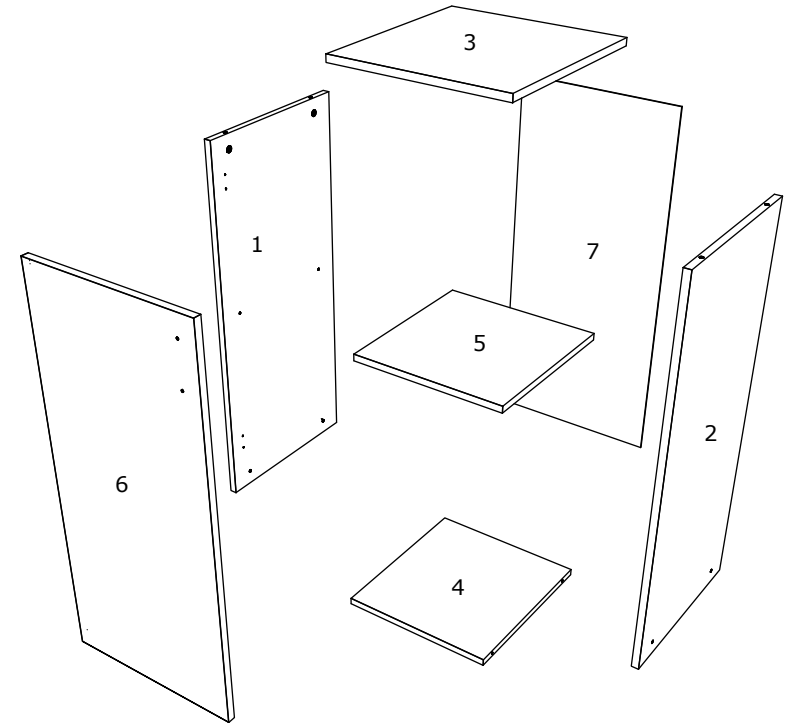
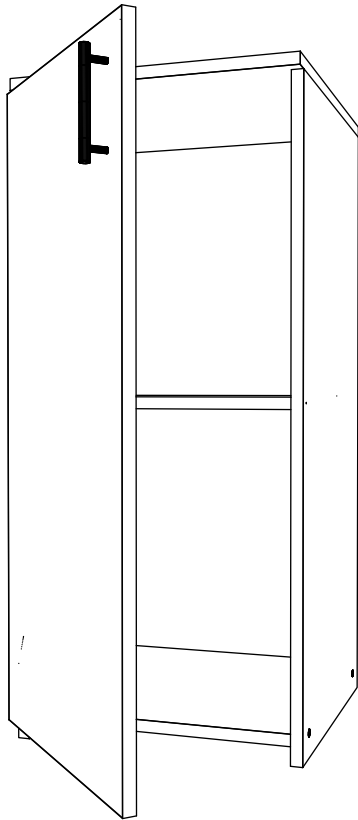
| SZÁM | HOSSZA | SZÉLES | DARAB | SZÍN          |
|------|--------|--------|-------|---------------|
| 1    | 884    | 400    | 1     | SZÍN          |
| 2    | 884    | 400    | 1     | SZÍN          |
| 3    | 402    | 420    | 1     | SZÍN          |
| 4    | 368    | 400    | 1     | SZÍN          |
| 5    | 368    | 380    | 1     | SZÍN          |
| 6    | 855    | 396    | 1     | SZÍN          |
| 7    | 870    | 396    | 1     | HÁTULSÓ PANEL |






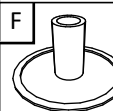
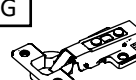

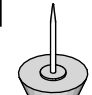
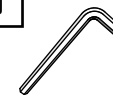


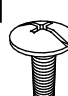
**BG**

| Номер | Дължина | Ширина | Парчет | аЦвят       |
|-------|---------|--------|--------|-------------|
| 1     | 884     | 400    | 1      | Цвят        |
| 2     | 884     | 400    | 1      | Цвят        |
| 3     | 402     | 420    | 1      | Цвят        |
| 4     | 368     | 400    | 1      | Цвят        |
| 5     | 368     | 380    | 1      | Цвят        |
| 6     | 855     | 396    | 1      | Цвят        |
| 7     | 870     | 396    | 1      | Заден панел |

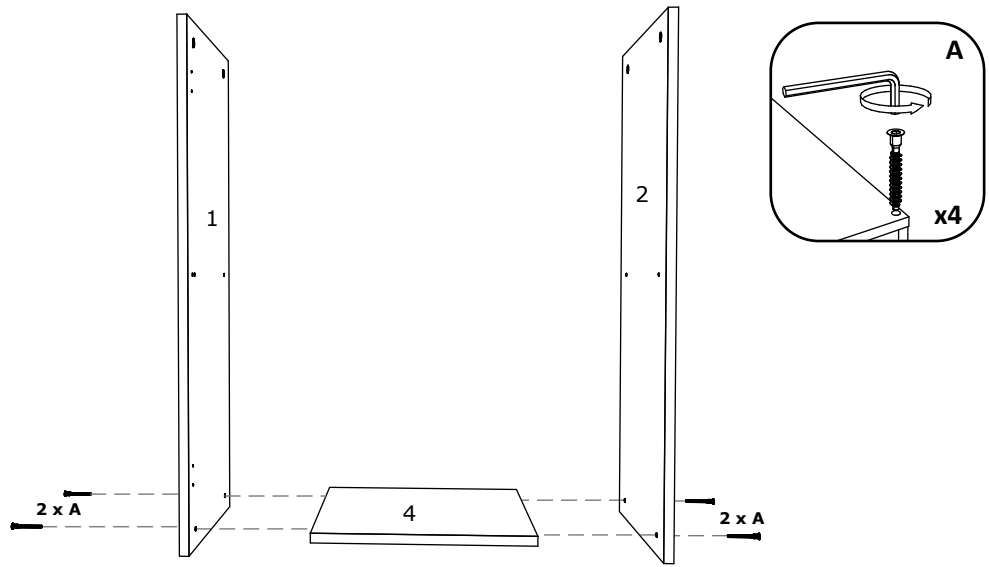
**FR**

| NOMBRE | LONGUEUR | LARGEUR | PIÈCES | COULEUR         |
|--------|----------|---------|--------|-----------------|
| 1      | 884      | 400     | 1      | COULEUR         |
| 2      | 884      | 400     | 1      | COULEUR         |
| 3      | 402      | 420     | 1      | COULEUR         |
| 4      | 368      | 400     | 1      | COULEUR         |
| 5      | 368      | 380     | 1      | COULEUR         |
| 6      | 855      | 396     | 1      | COULEUR         |
| 7      | 870      | 396     | 1      | PANNEAU ARRIERE |

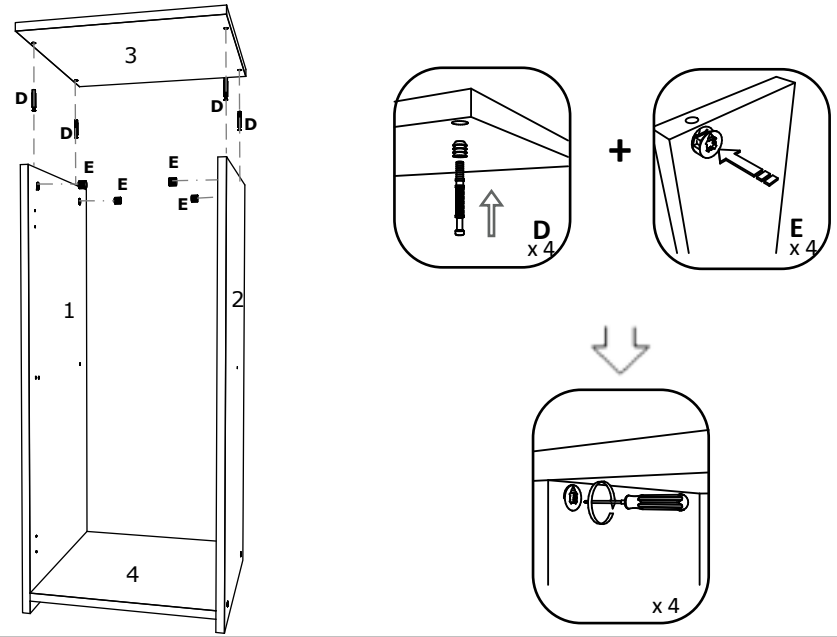


|   |  |  |   |   |  |
|---|--|--|---|---|--|
| A   | 7x50mm<br><br>x 4            | B<br><br>x 4           | C<br><br>x 20 | D<br><br>x 4  | E<br><br>x 4 |
| F<br><br>4x  | G<br><br>x 2                | H<br><br>x 4          | I<br><br>x 4 | J<br><br>x 1 |  |
| K<br><br>x 8 | L<br>3.5 x 16 mm<br><br>x 1 | M<br>96 mm<br><br>x 2 |   |   |  |

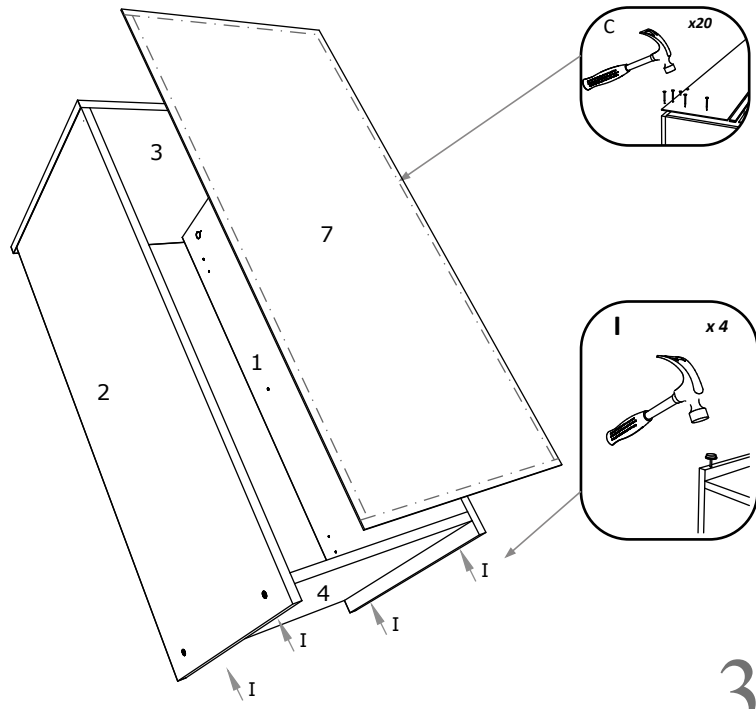
| NUMBER | LENGTH | WIDTH | PCS | COLOUR      |
|--------|--------|-------|-----|-------------|
| 1      | 884    | 400   | 1   | COLOUR      |
| 2      | 884    | 400   | 1   | COLOUR      |
| 3      | 402    | 420   | 1   | COLOUR      |
| 4      | 368    | 400   | 1   | COLOUR      |
| 5      | 368    | 380   | 1   | COLOUR      |
| 6      | 855    | 396   | 1   | COLOUR      |
| 7      | 870    | 396   | 1   | BACK PANNEL |



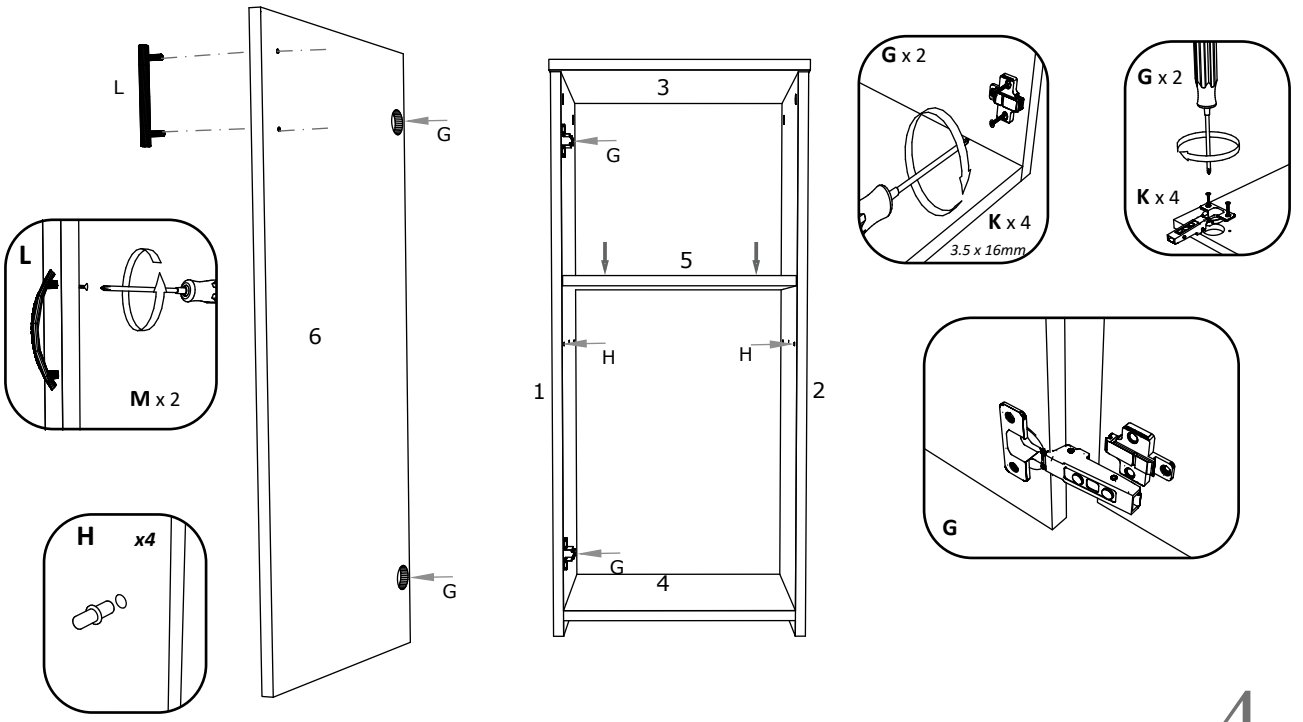
1



2



3



4