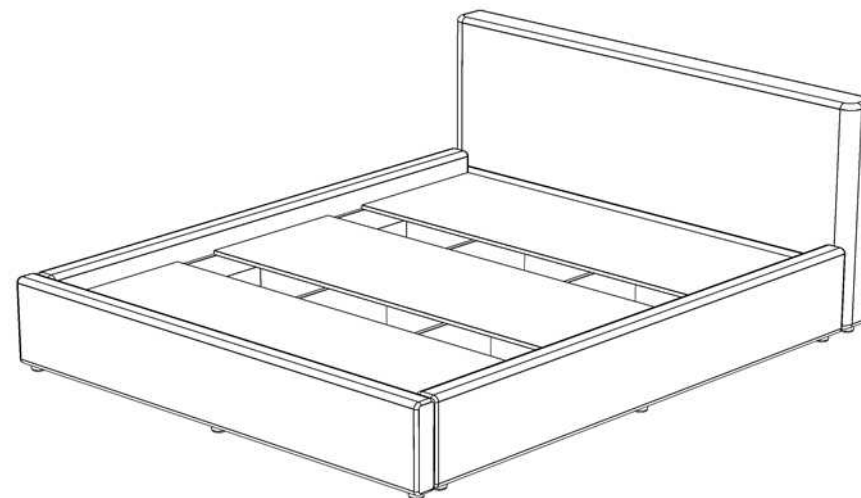


RO INSTRUCTIUNI DE ASAMBLARE - **PAT TAPITAT ALMO - L140 CM**

EN ASSEMBLY INSTRUCTIONS - **UPHOLSTERED BED ALMO - L140 CM**

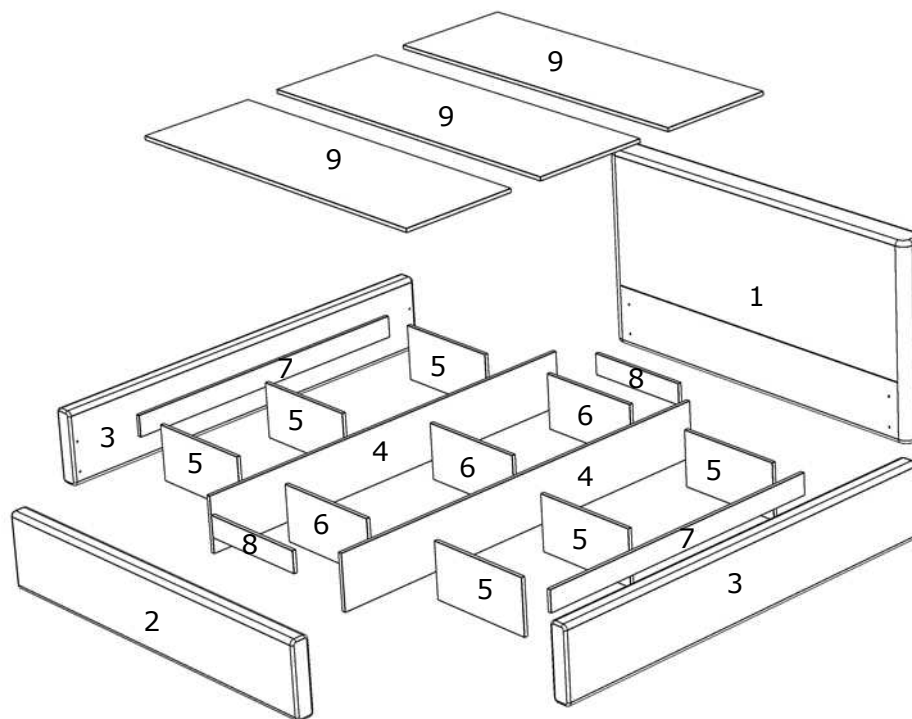
RO

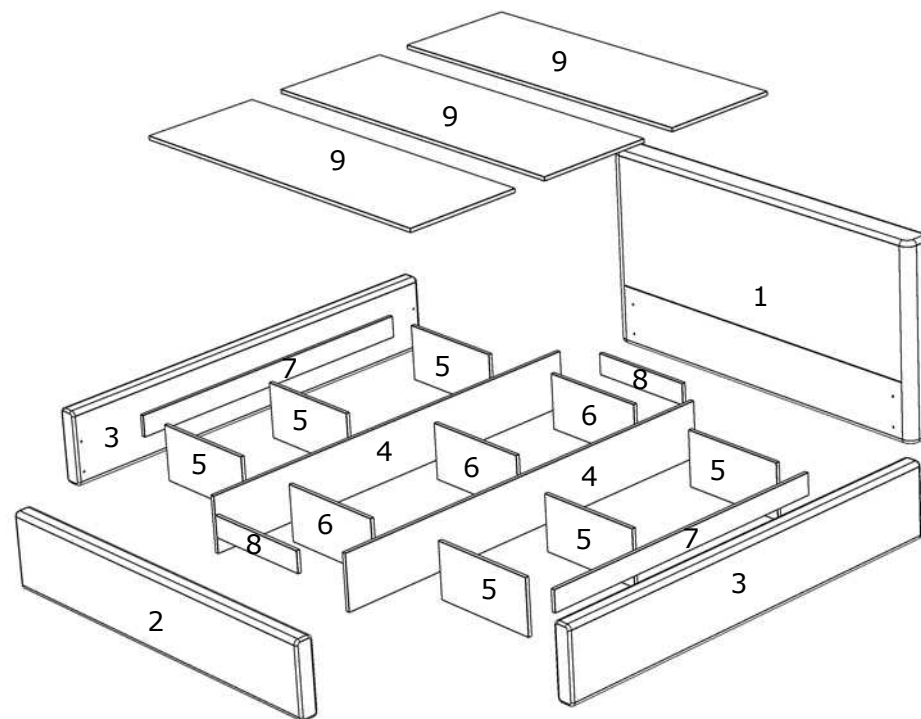
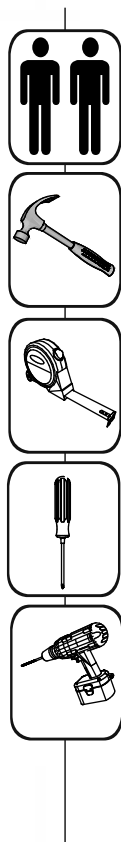
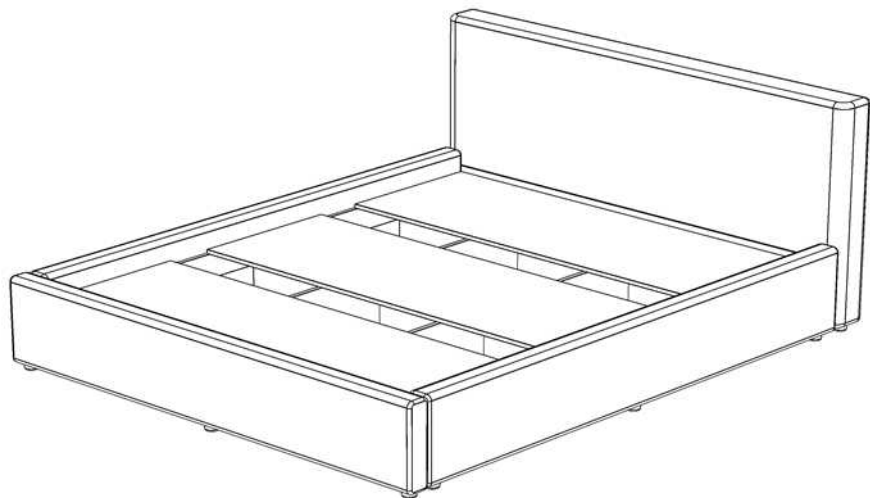
NUMAR	LUNGIME	LATIME	BUC	CULOARE
1	1580	910	1	CULOARE1
2	1580	350	1	CULOARE1
3	2000	345	2	CULOARE1
4	2000	260	2	CULOARE2
5	448	260	6	CULOARE2
6	448	260	3	CULOARE2
7	1340	100	2	CULOARE2
8	448	100	2	CULOARE2
9	1400	550	3	CULOARE2




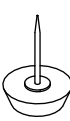
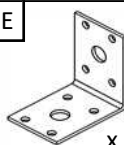
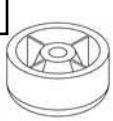

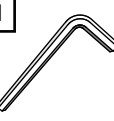


EN

NUMBER	LENGTH	WIDTH	PCS	COLOUR
1	1580	910	1	COLOUR1
2	1580	350	1	COLOUR1
3	2000	345	2	COLOUR1
4	2000	260	2	COLOUR2
5	448	260	6	COLOUR2
6	448	260	3	COLOUR2
7	1340	100	2	COLOUR2
8	448	100	2	COLOUR2
9	1400	550	3	COLOUR2



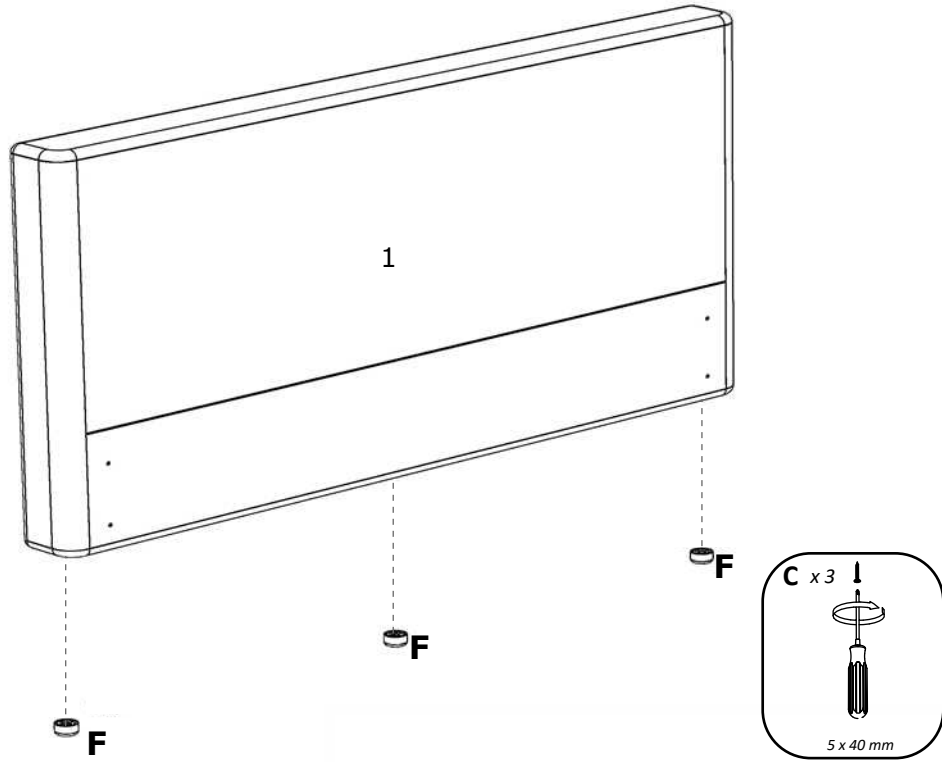


A  x 44	B  x 70	C  x 12	D  x 16
E  x 8	F  x 12	G  x 16	H  x 1

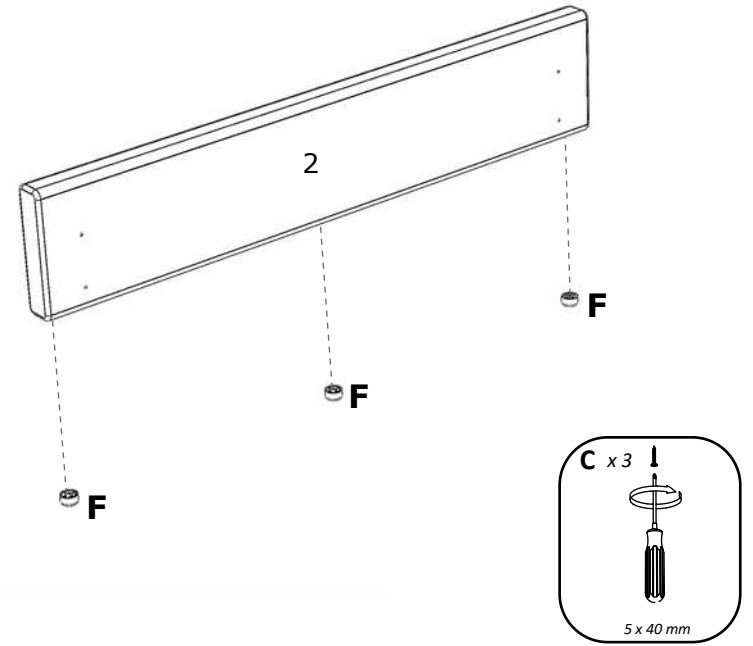
EN

NUMBER	LENGTH	WIDTH	PCS	COLOUR
1	1580	910	1	COLOUR1
2	1580	350	1	COLOUR1
3	2000	345	2	COLOUR1
4	2000	260	2	COLOUR2
5	448	260	6	COLOUR2
6	448	260	3	COLOUR2
7	1340	100	2	COLOUR2
8	448	100	2	COLOUR2
9	1400	550	3	COLOUR2

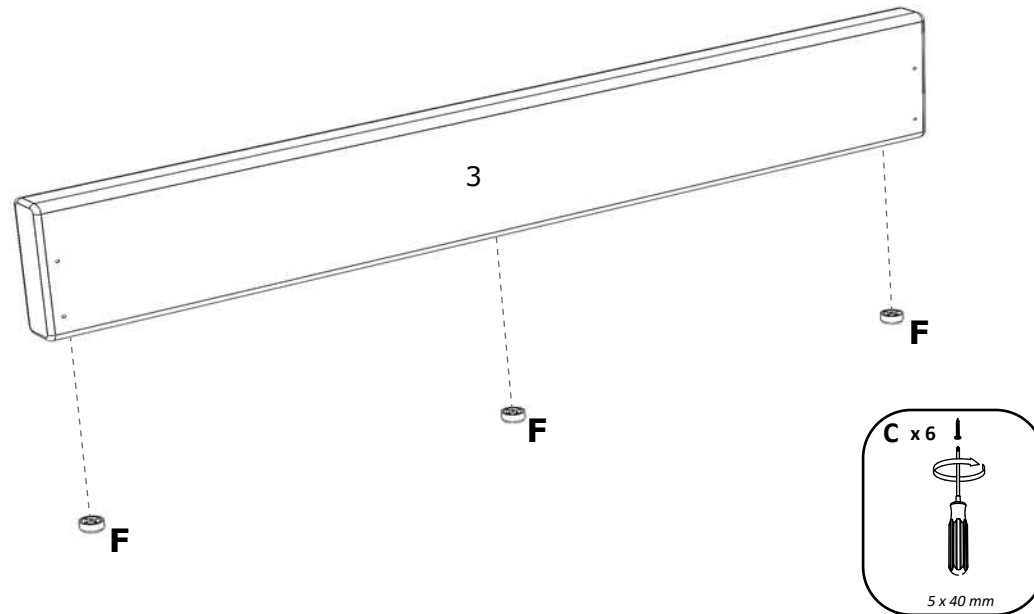
1



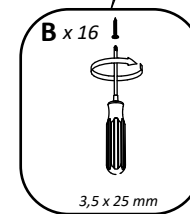
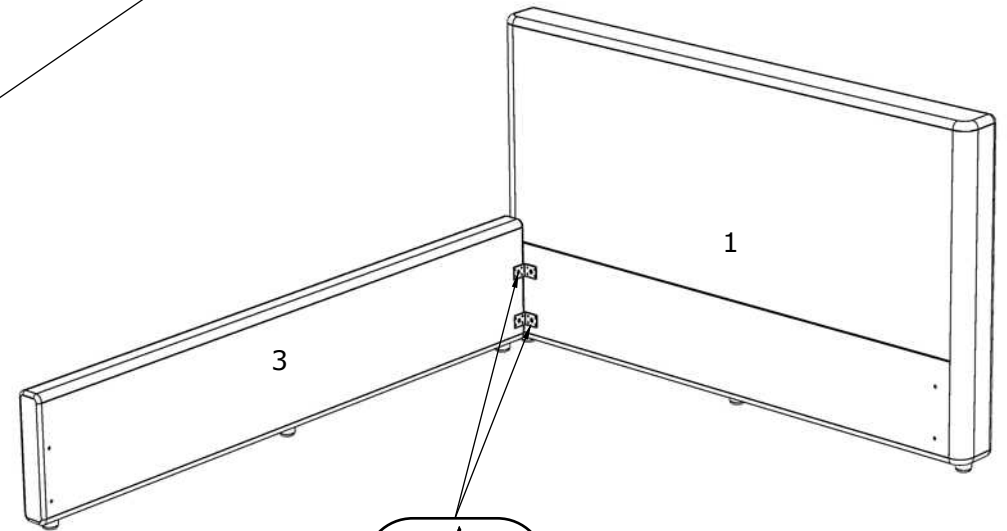
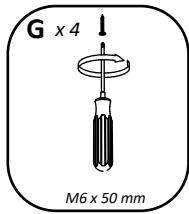
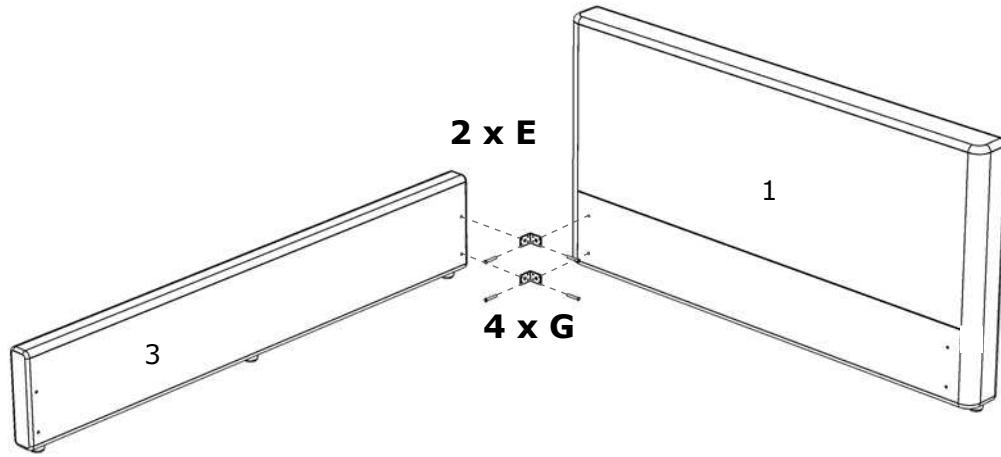
2



3

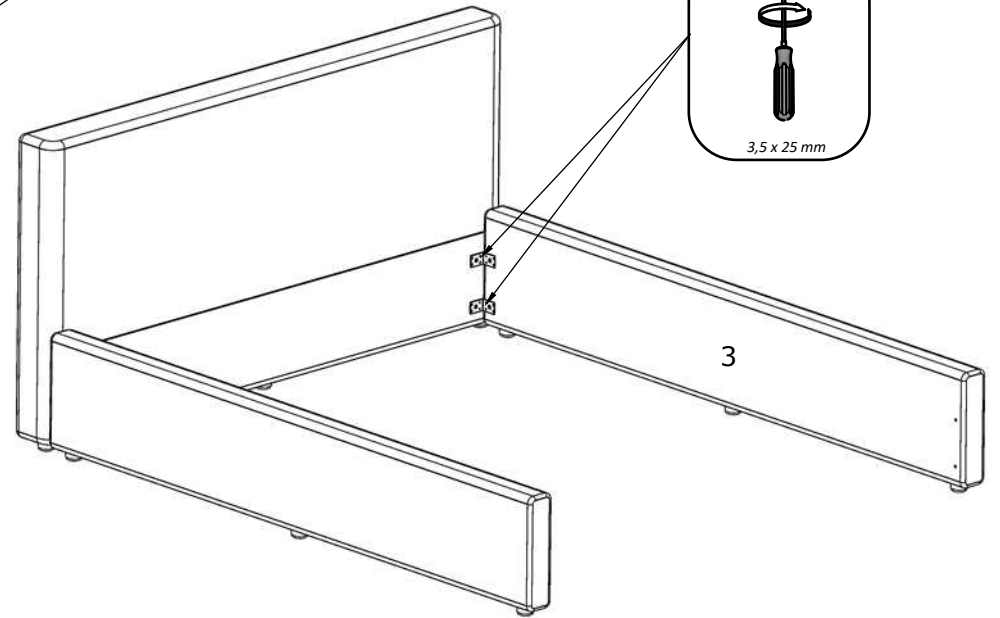
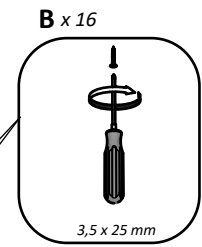
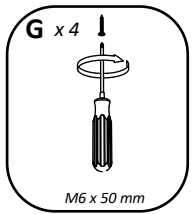
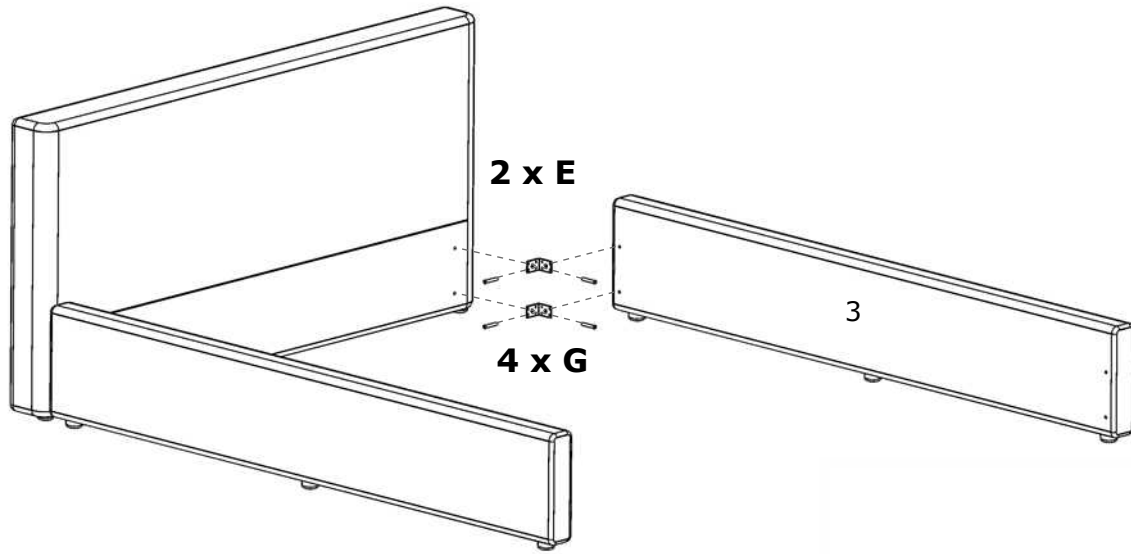


4



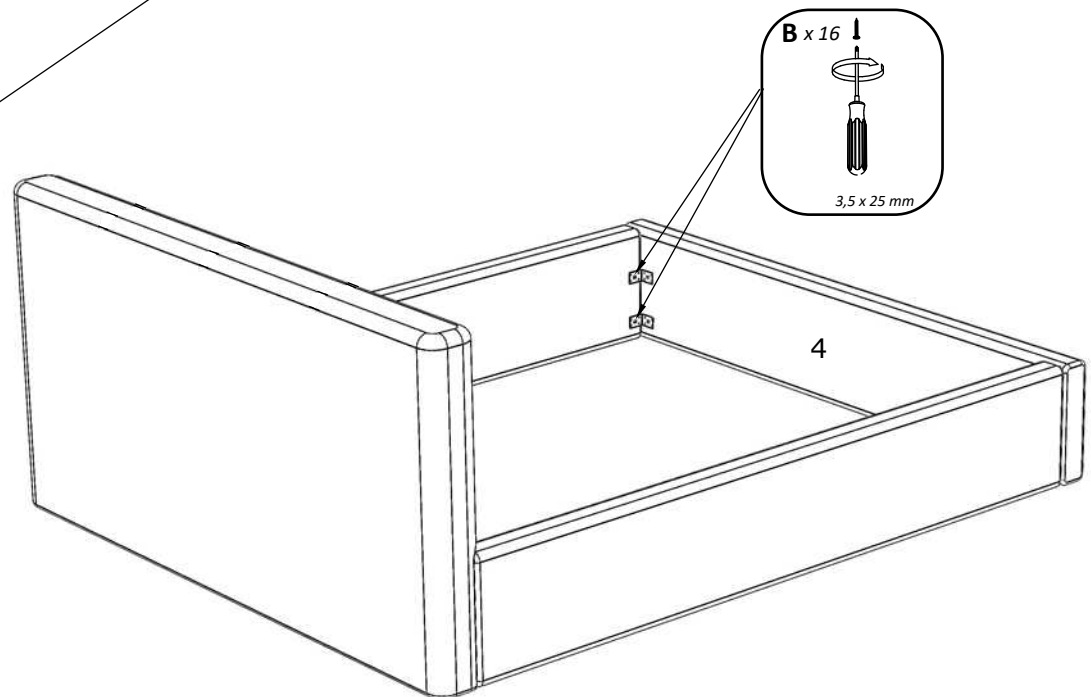
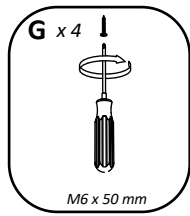
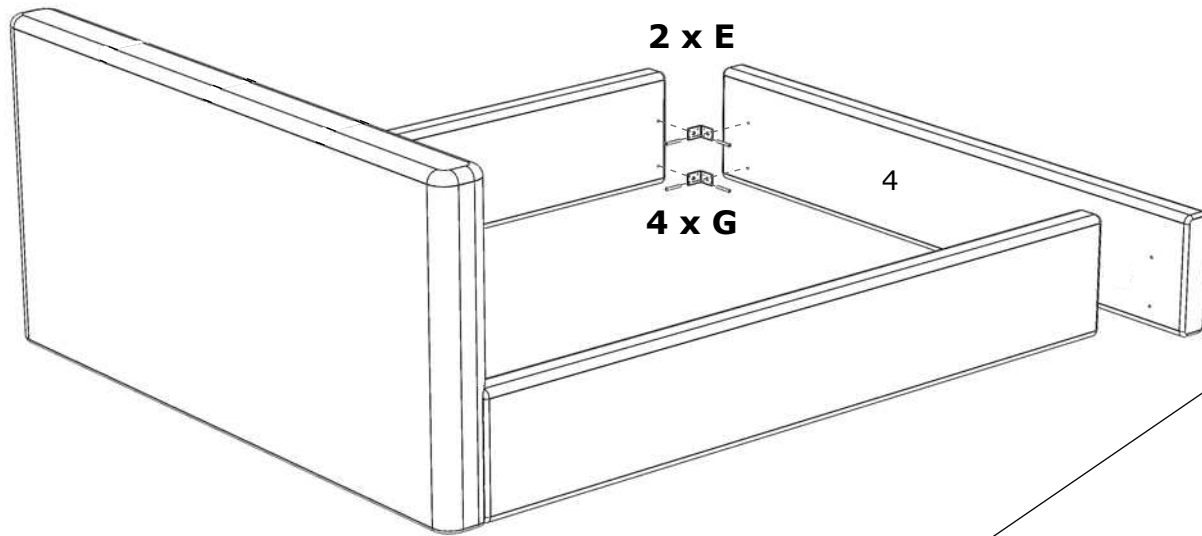
5

6



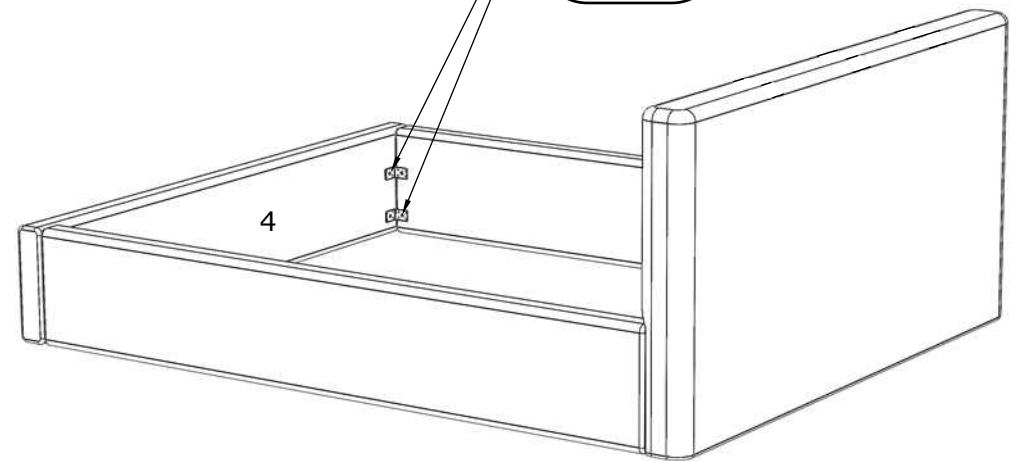
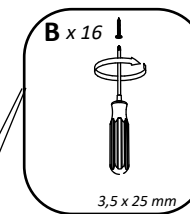
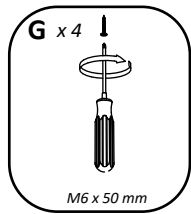
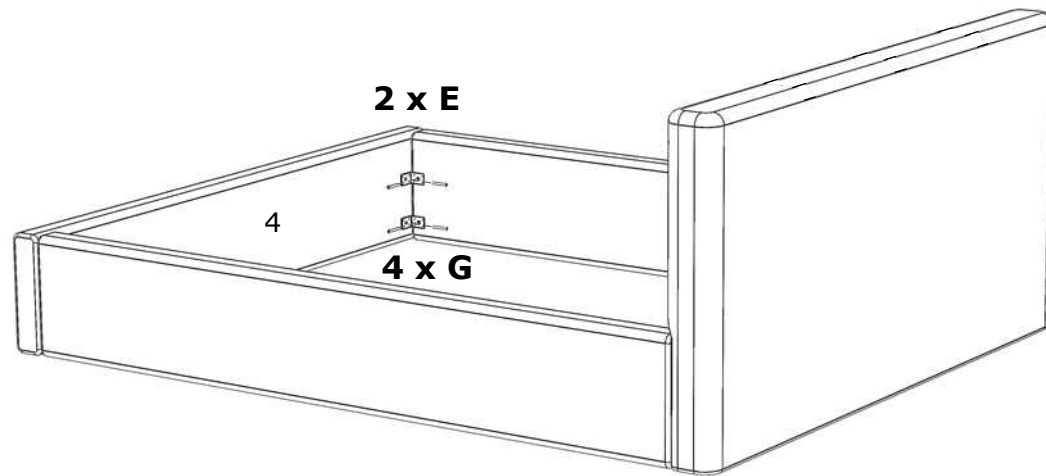
7

8

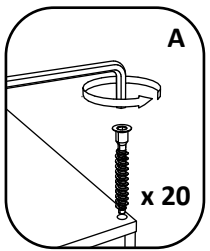
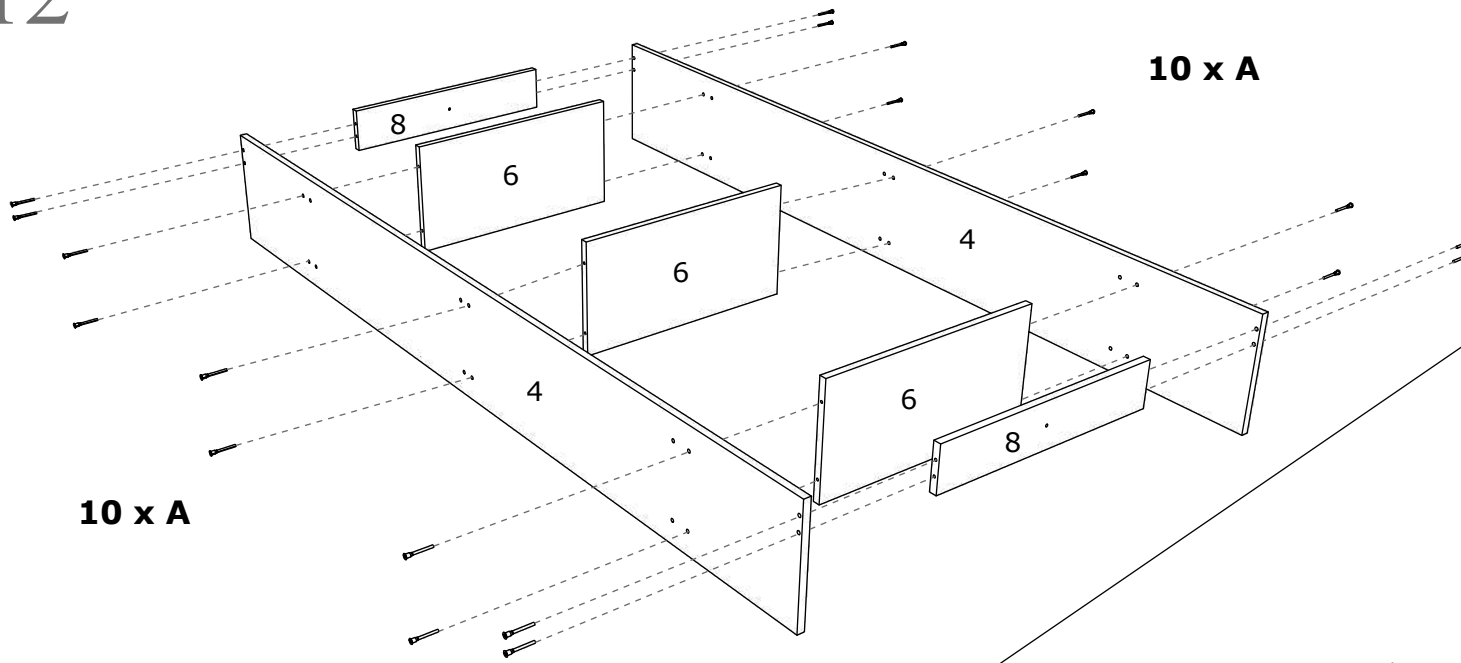


9

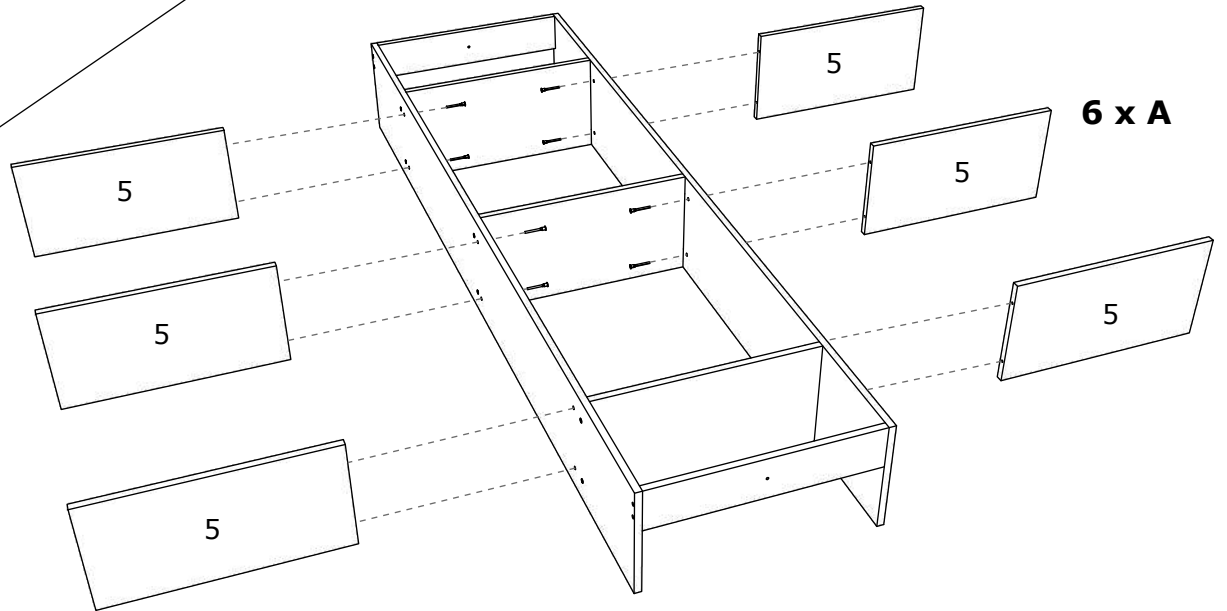
10



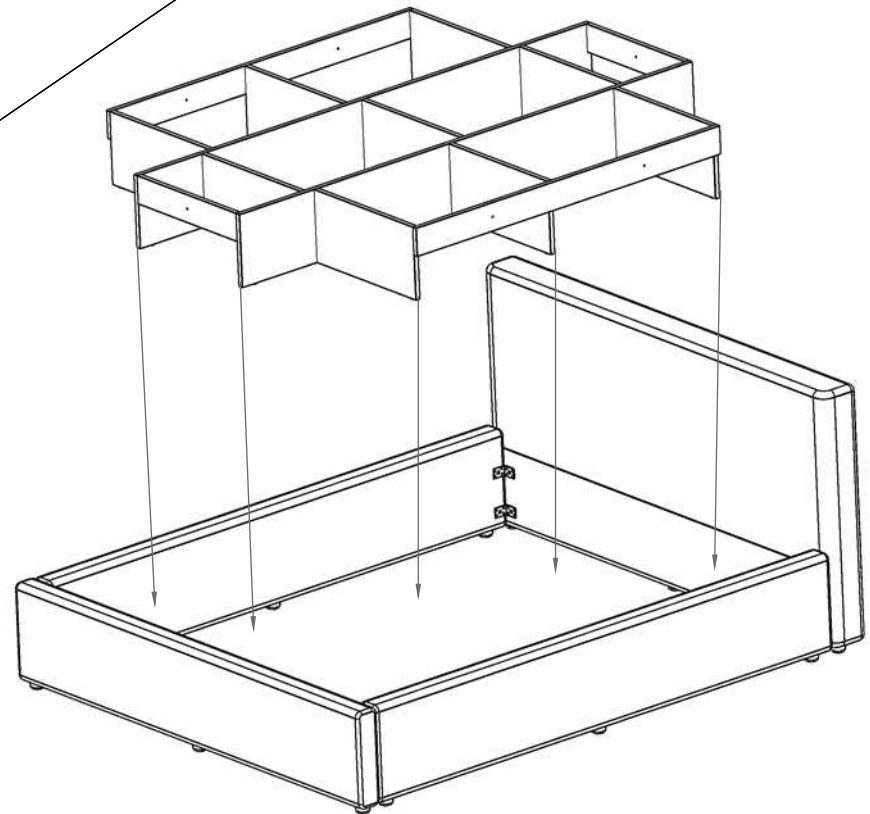
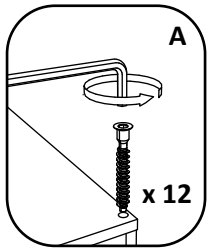
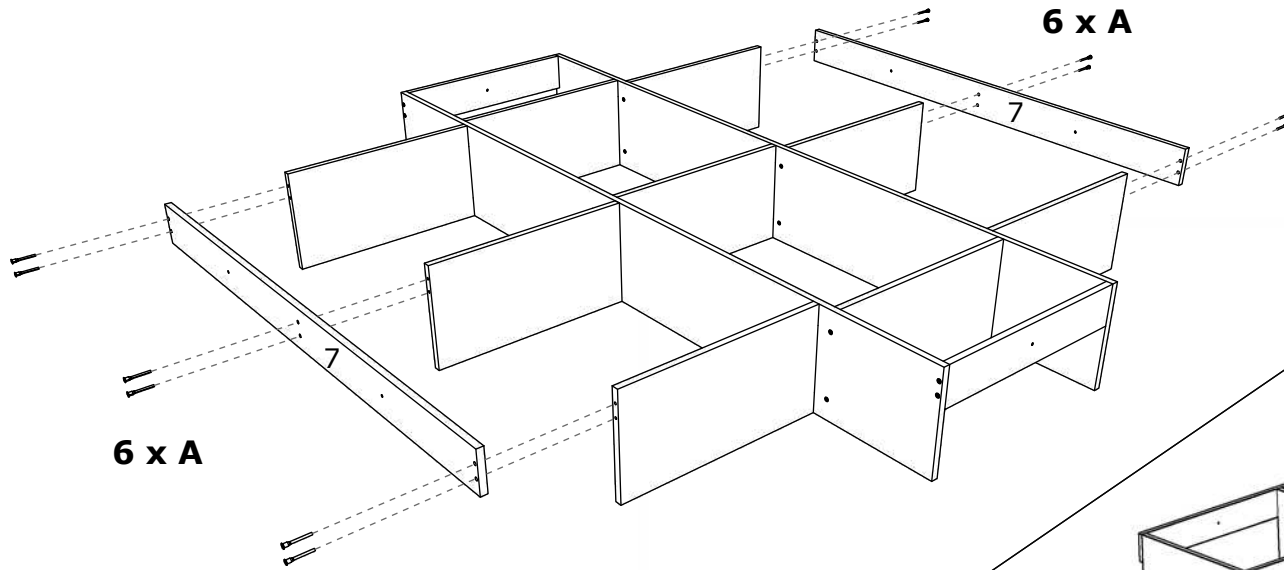
11



6 x A

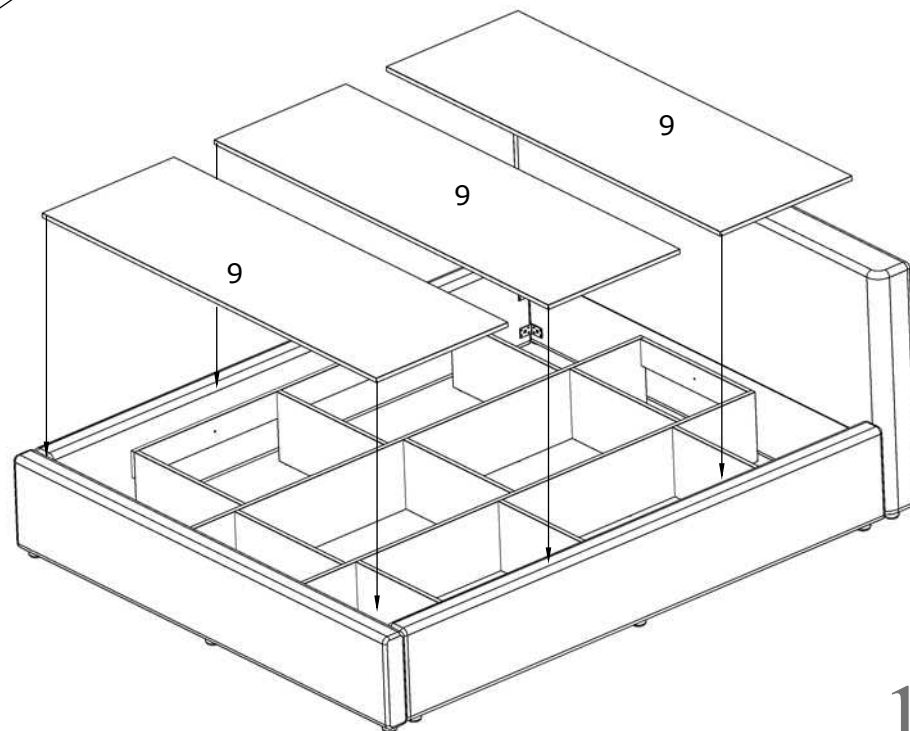
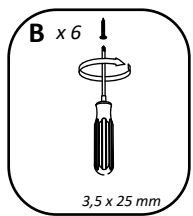
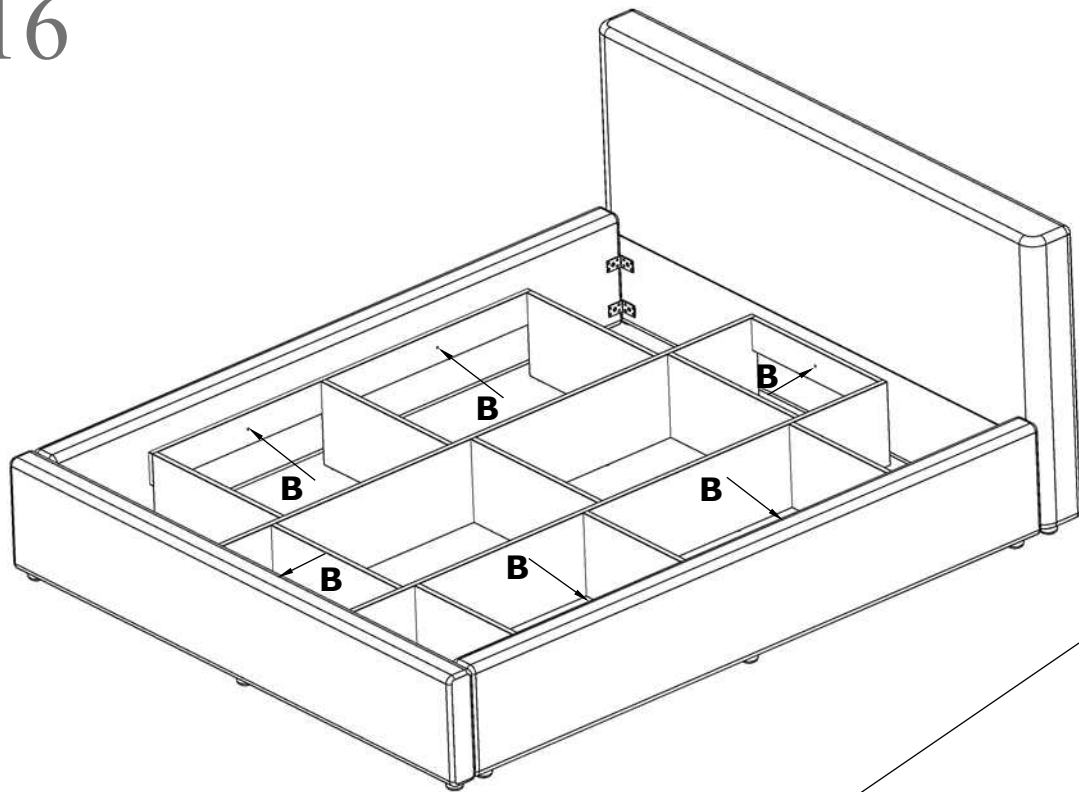


14



15

16



17

