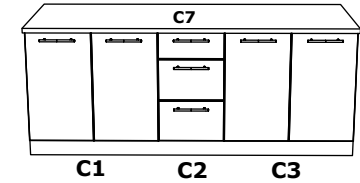
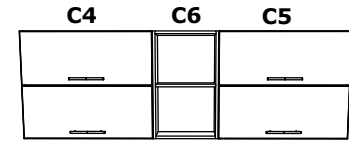


RO

INSTRUCTIUNI DE ASAMBLARE - BUCATARIA ARIZONA - C1 - 80 x 50 x 82 CM

EN

ASSEMBLY INSTRUCTIONS - ARIZONA KITCHEN - C1 - 80 x 50 x 82 CM

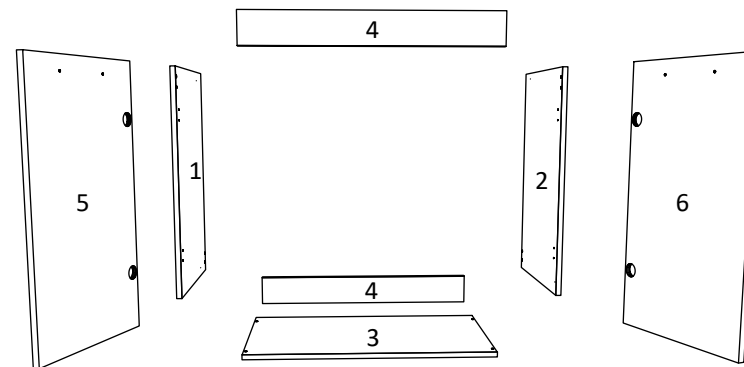
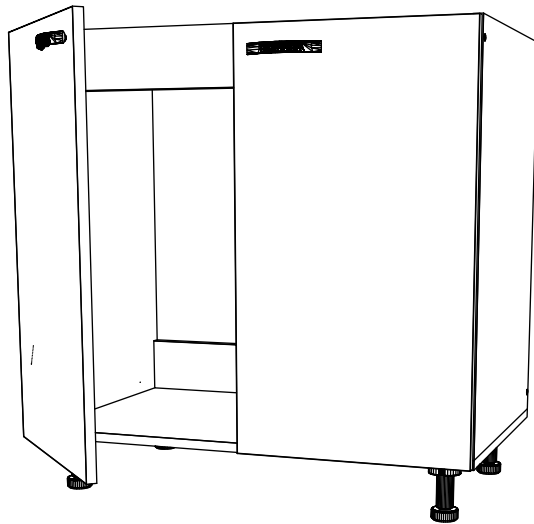


RO

NUMAR	LUNGIME	LATIME	BUCATI	CULOARE
1	684	480	1	ALB
2	684	480	1	ALB
3	800	480	1	ALB
4	768	100	2	ALB
5	696	396	1	CULOARE
6	696	396	1	CULOARE

EN

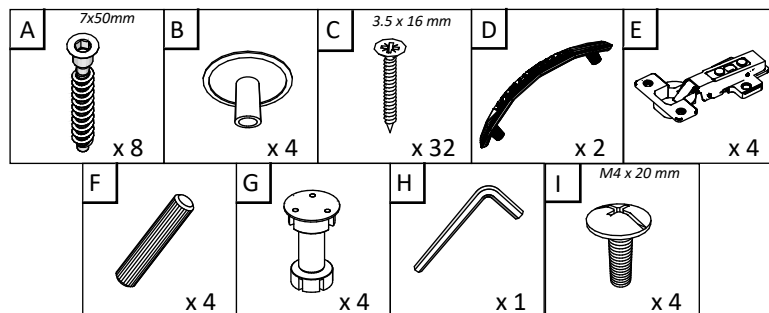
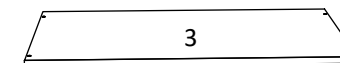
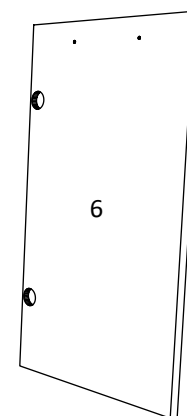
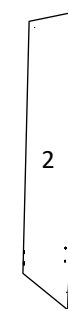
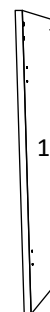
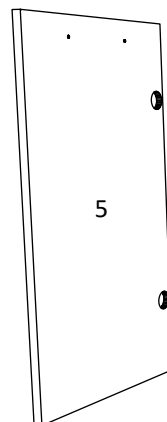
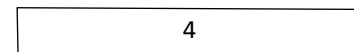
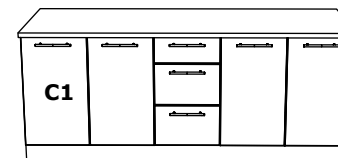
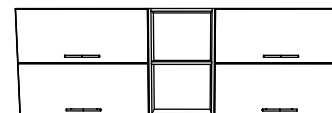
NUMBER	LENGTH	WIDTH	PCS	COLOR
1	684	480	1	WHITE
2	684	480	1	WHITE
3	800	480	1	WHITE
4	768	100	2	WHITE
5	696	396	1	COLOR
6	696	396	1	COLOR



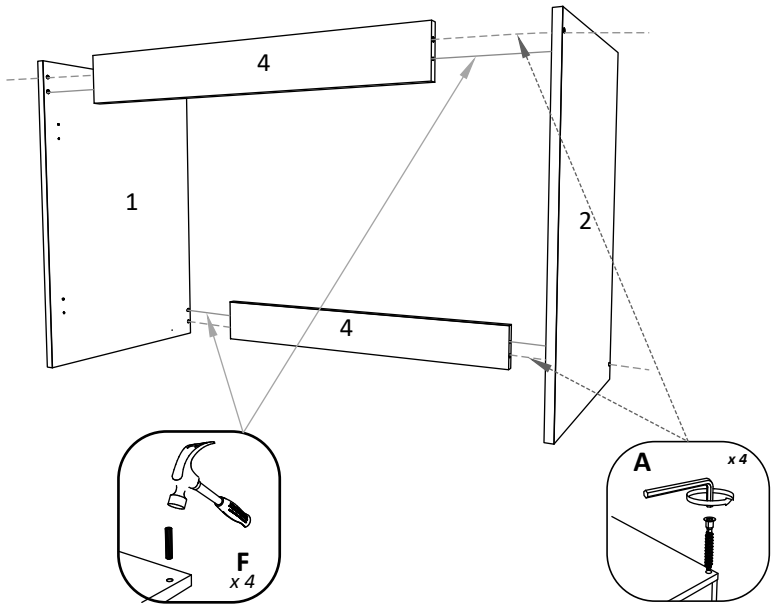
ARIZONA KITCHEN L = 2000 mm

C1

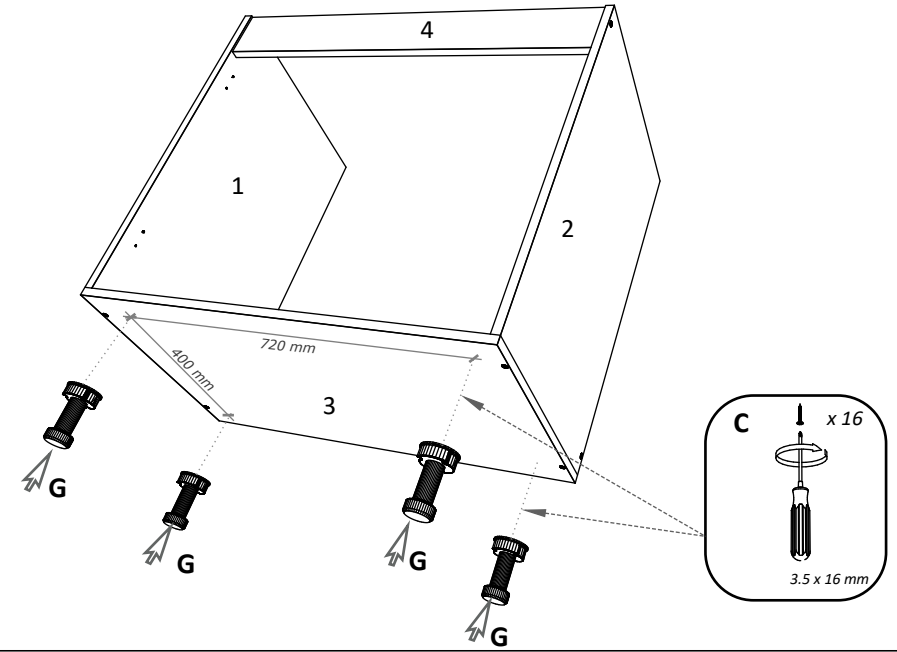
800x500x800 mm



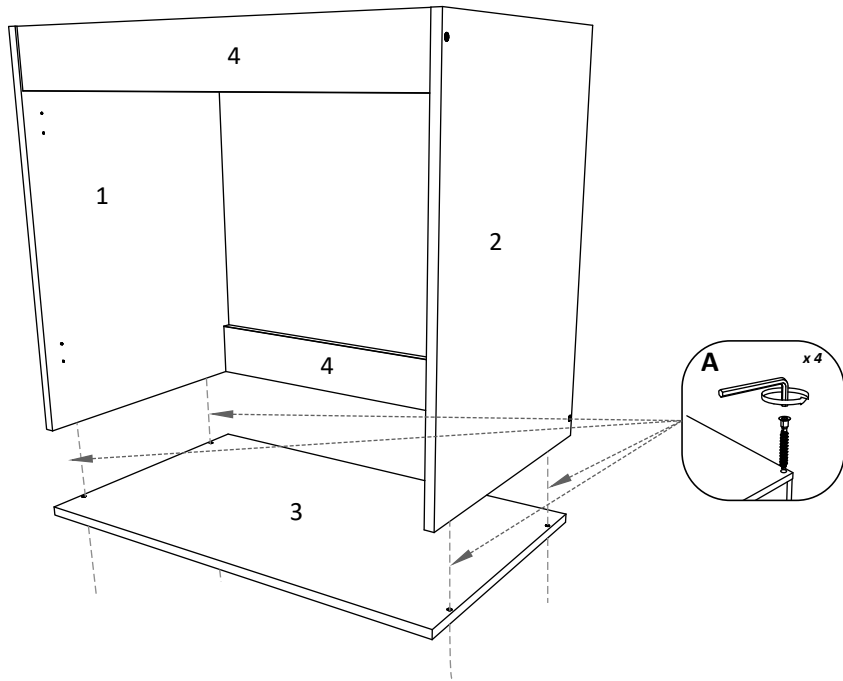
NUMBER	LENGTH	WIDTH	PCS	COLOR
1	684	480	1	WHITE
2	684	480	1	WHITE
3	800	480	1	WHITE
4	768	100	2	WHITE
5	696	396	1	COLOR
6	696	396	1	COLOR



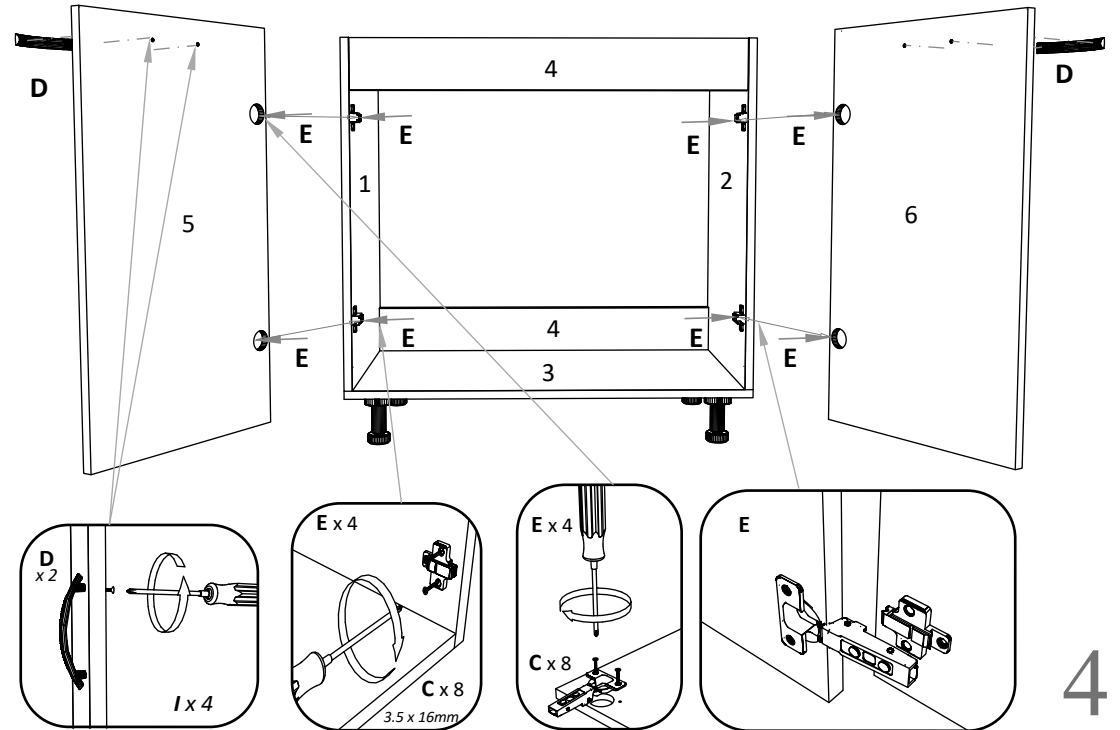
1



3



2



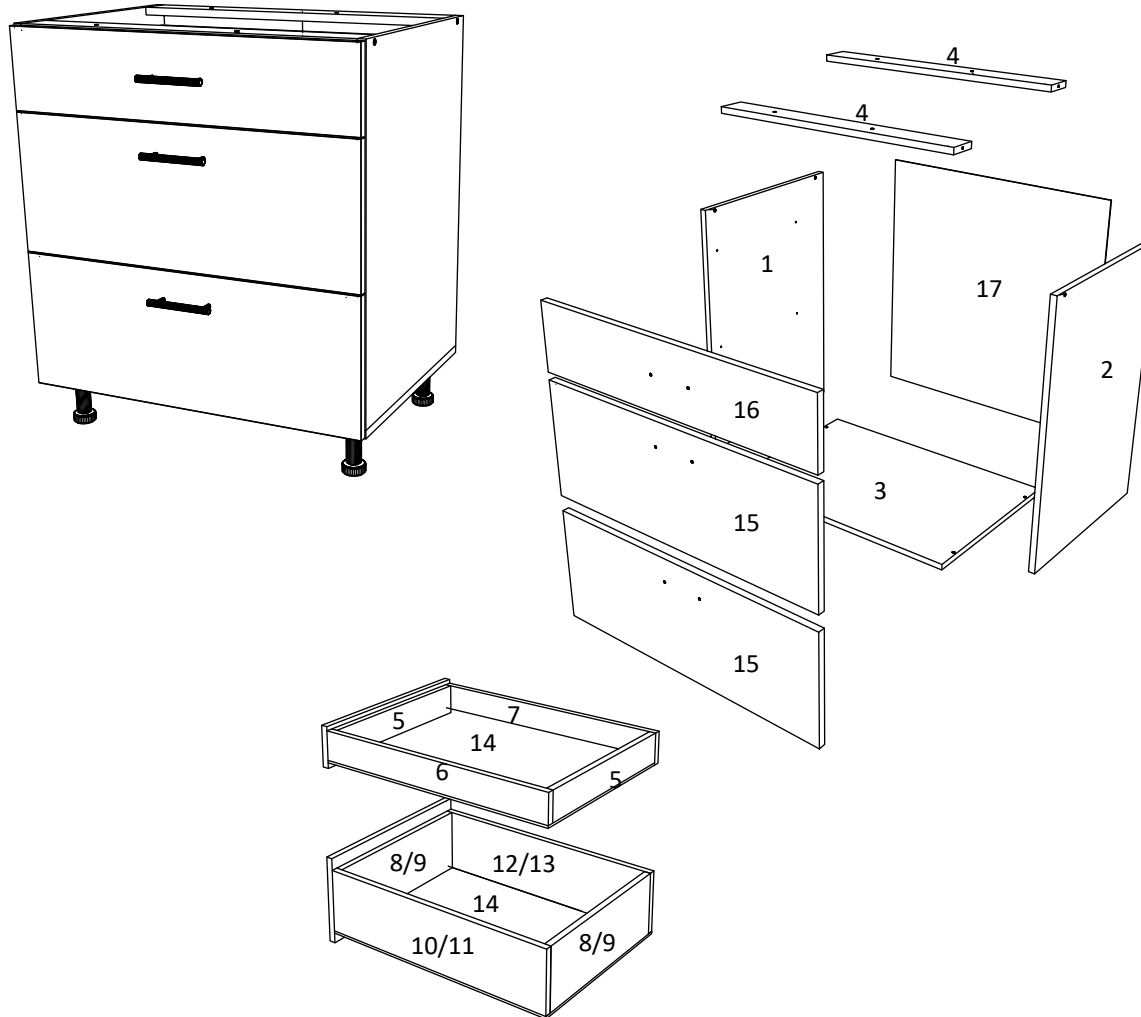
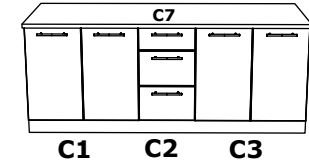
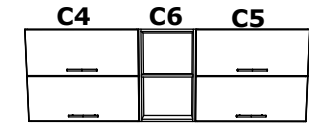
4

RO

INSTRUCTIUNI DE ASAMBLARE - BUCATARIA ARIZONA - C2 - 40 x 50 x 82 CM

EN

ASSEMBLY INSTRUCTIONS - ARIZONA KITCHEN - C2 - 40 x 50 x 82 CM



RO

NUMAR	LUNGIME	LATIME	BUC	CULOARE
1/2	684	480	2	ALB
3	400	480	1	ALB
4	368	70	2	ALB
5	311	100	2	ALB
6/7	450	100	2	ALB
8/9	311	160	4	ALB
10/11	450	160	2	ALB
12/13	450	160	2	ALB
14	450	339	3	PANOU SPATE
15	396	260	2	CULOARE
16	396	169	1	CULOARE
17	697	396	1	PANOU SPATE

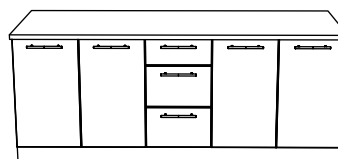
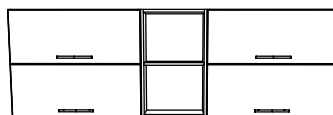
EN

NUMBER	LENGTH	WIDTH	PCS	COLOUR
1/2	684	480	2	WHITE
3	400	480	1	WHITE
4	368	70	2	WHITE
5	311	100	2	WHITE
6/7	450	100	2	WHITE
8/9	311	160	4	WHITE
10/11	450	160	2	WHITE
12/13	450	160	2	WHITE
14	339	450	3	BACK PANNEL
15	396	260	2	COLOUR
16	396	169	1	COLOUR
17	696	396	1	BACK PANNEL

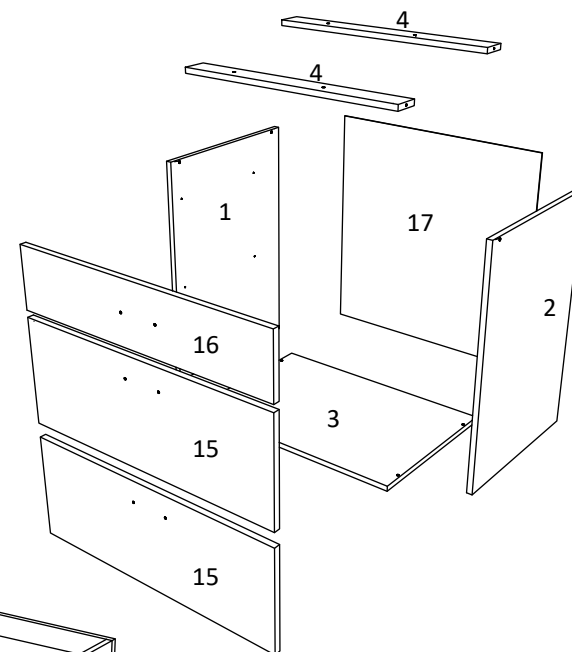
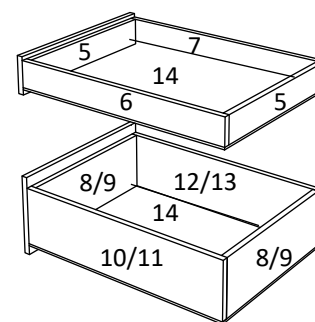
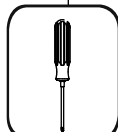
ARIZONA KITCHEN L = 2000 mm

C2

400x500x800 mm

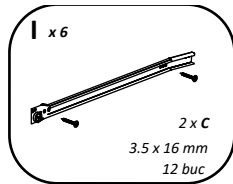
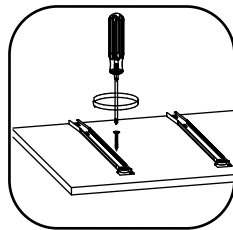
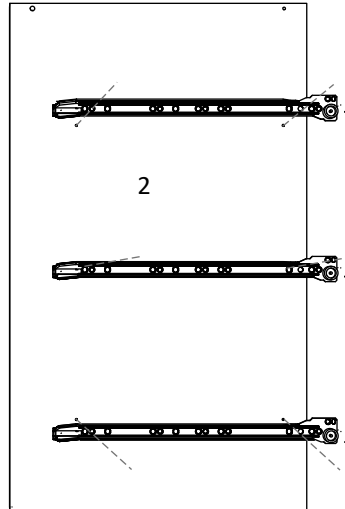
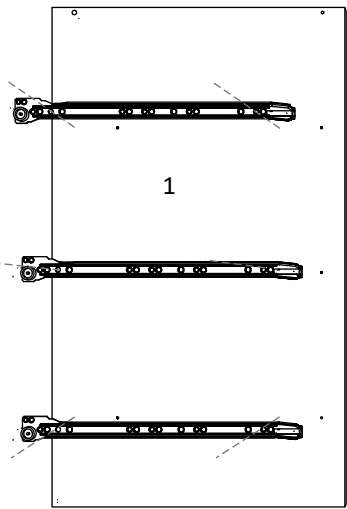


C2

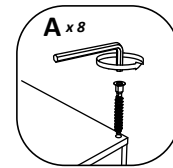
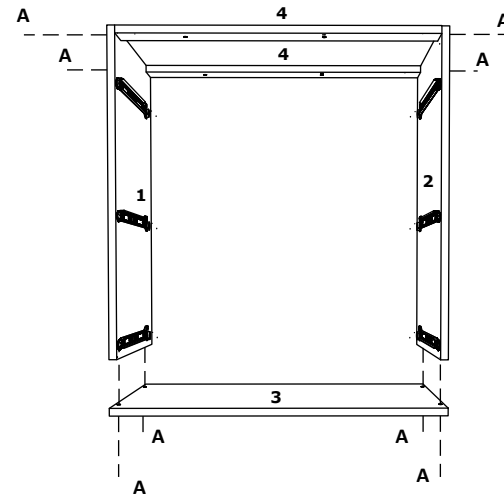


A x 8	B x 78	C x 40	D x 3	E x 6
F x 20	G x 4	H x 4	I x 3	J x 1

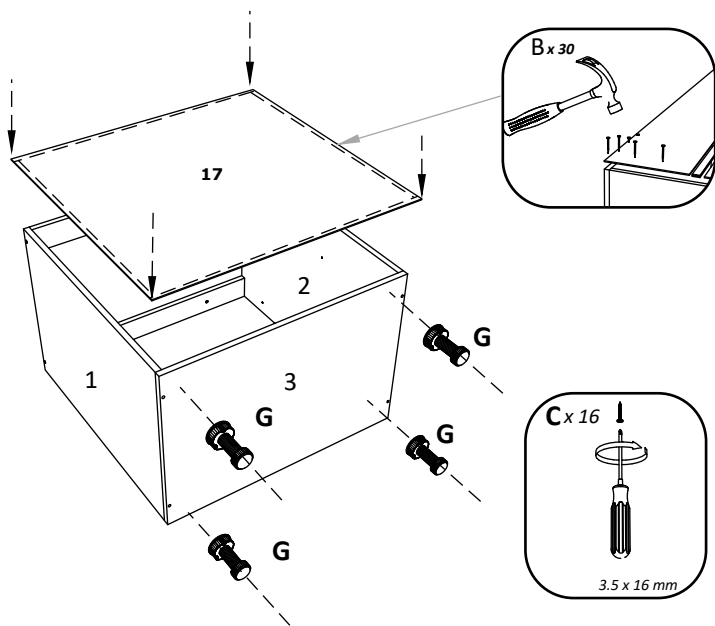
NUMBER	LENGTH	WIDTH	PCS	COLOUR
1/2	684	480	2	WHITE
3	400	480	1	WHITE
4	368	70	2	WHITE
5	311	100	2	WHITE
6/7	450	100	2	WHITE
8/9	311	160	4	WHITE
10/11	450	160	2	WHITE
12/13	450	160	2	WHITE
14	339	450	3	BACK PANNEL
15	396	260	2	COLOUR
16	396	169	1	COLOUR
17	696	396	1	BACK PANNEL



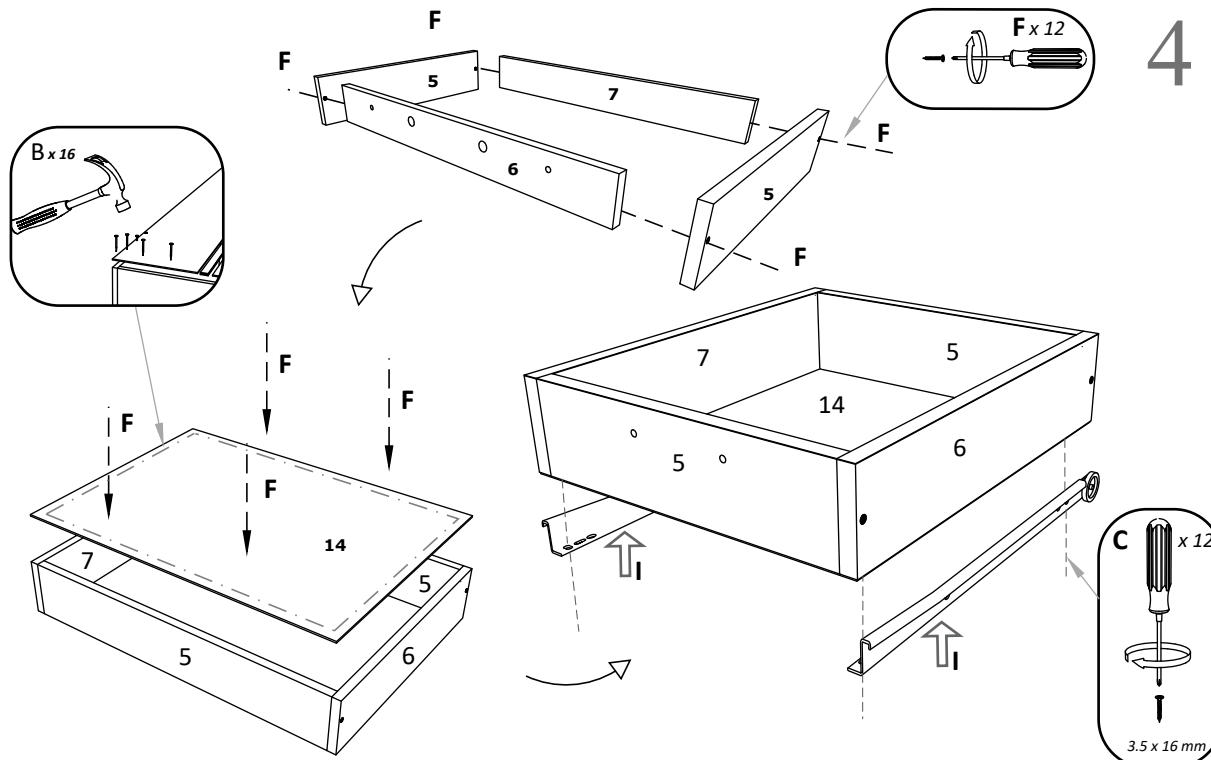
1



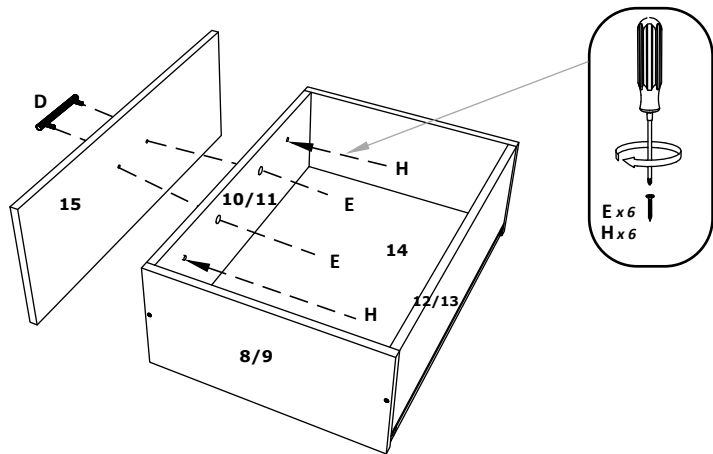
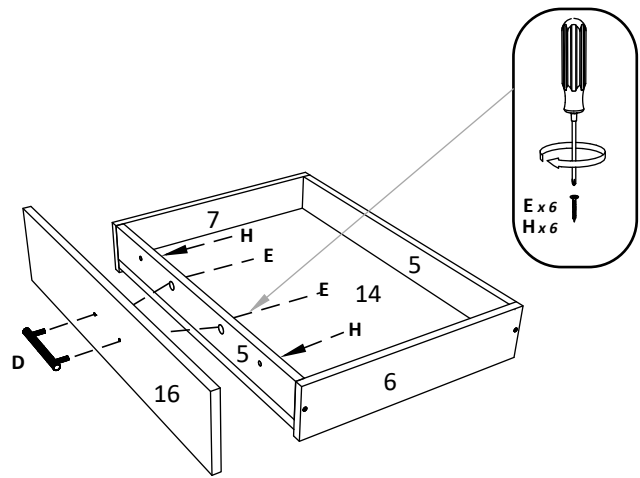
2



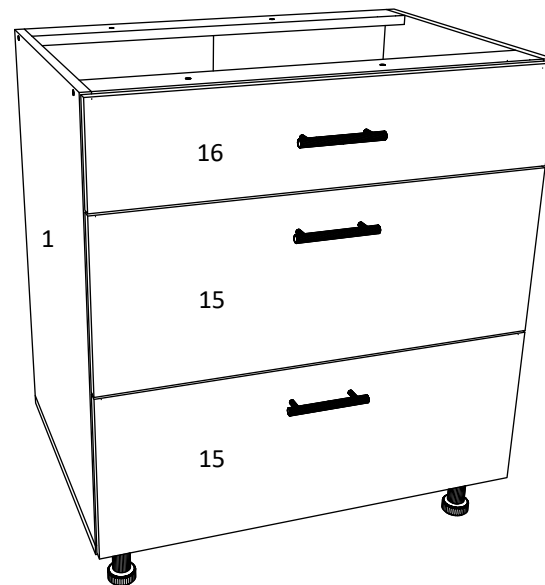
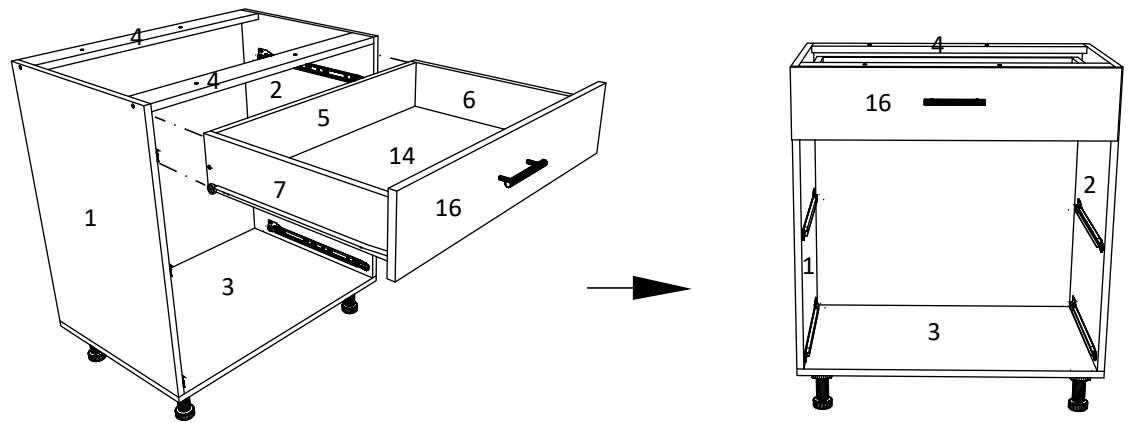
3



4



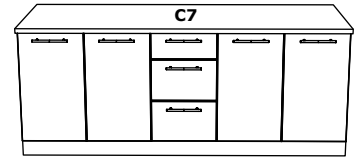
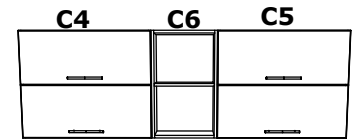
5



6

RO INSTRUCTIUNI DE ASAMBLARE - **BUCATARIA ARIZONA - C3 + C7 - 80 x 50 x 82 CM**

EN ASSEMBLY INSTRUCTIONS - **ARIZONA KITCHEN - C3 + C7 - 80 x 50 x 82 CM**



C1 C2 C3

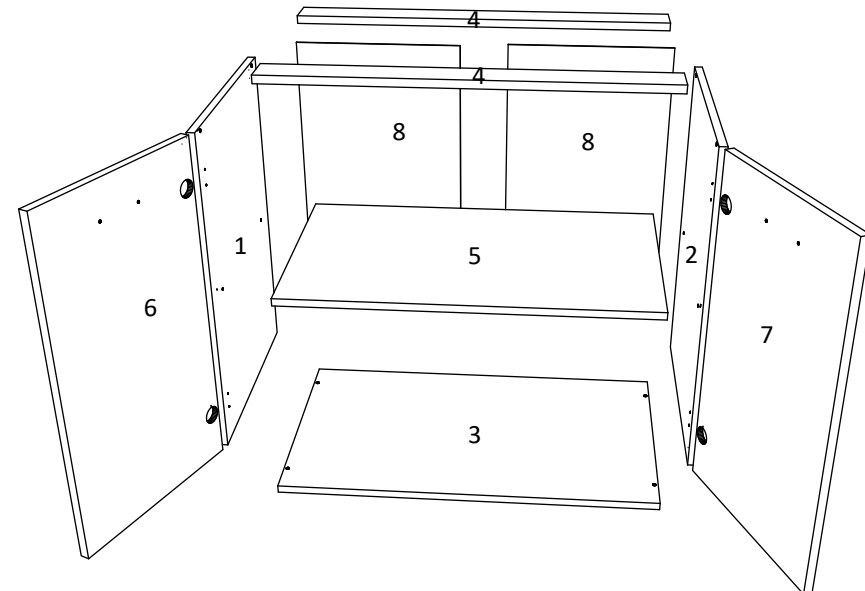
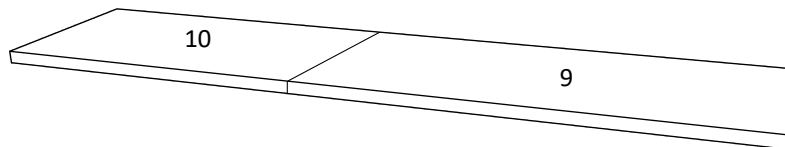


RO

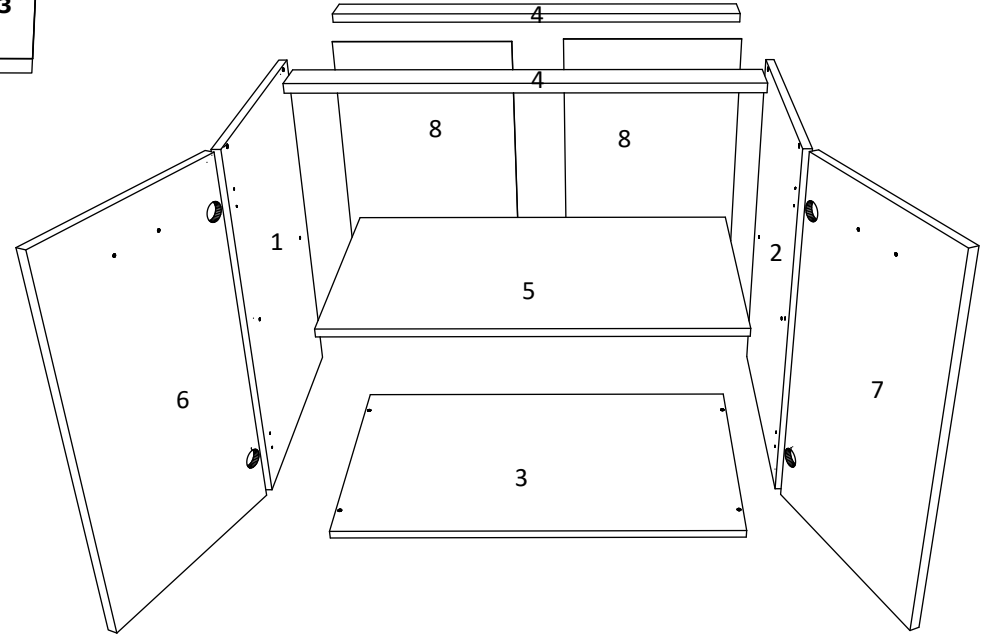
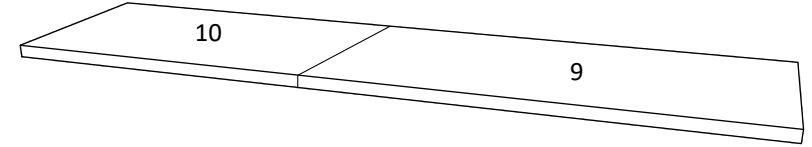
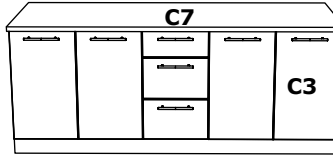
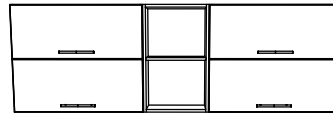
NUMAR	LUNGIME	LATIME	BUC	CULOARE
1	684	480	1	ALB
2	684	480	1	ALB
3	800	480	1	ALB
4	768	70	2	ALB
5	768	470	1	ALB
6/7	696	396	2	CULOARE
8	696	396	2	PANOU SPATE
9	1202	600	1	ENKARA
10	802	600	1	ENKARA

EN

NUMBER	LENGTH	WIDTH	PCS	COLOUR
1	684	480	1	WHITE
2	684	480	1	WHITE
3	800	480	1	WHITE
4	768	70	2	WHITE
5	768	470	1	WHITE
6/7	697	396	2	COLOUR
8	696	396	2	BACK PANNEL
9	1202	600	1	ENKARA
10	802	600	1	ENKARA

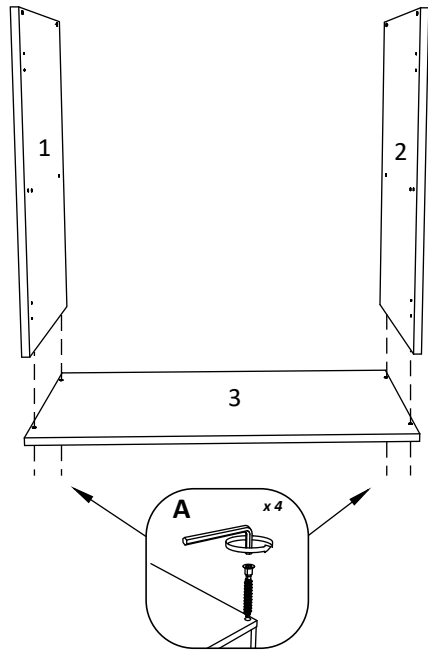


ARIZONA KITCHEN L = 2000 mm
C3 + C7
 800x500x800 mm

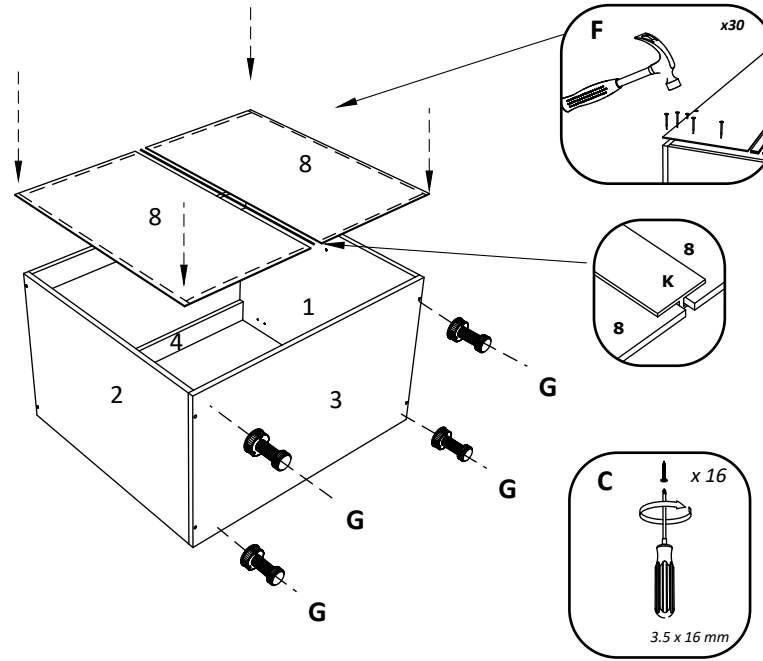


A 7x50mm x 8	B x 1	C 3.5 x 16 mm x 32	D 192 mm x 2	E x 4
F x 30	G x 4	H x 2	I M4 x 22 mm x 4	J 3.5 x 30 mm x 20
K 1x 665mm	L x 4	M x 4	N x 2	

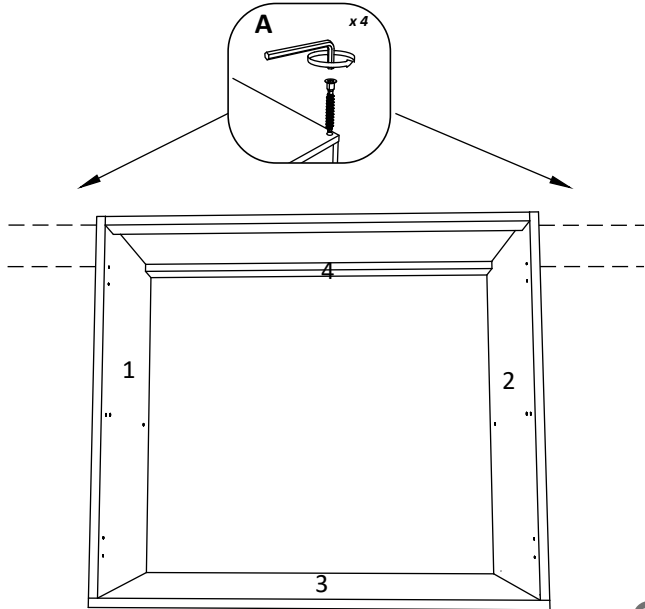
NUMBER	LENGTH	WIDTH	PCS	COLOUR
1	684	480	1	WHITE
2	684	480	1	WHITE
3	800	480	1	WHITE
4	768	70	2	WHITE
5	768	470	1	WHITE
6/7	697	396	2	COLOUR
8	696	396	2	BACK PANNEL
9	1202	600	1	ENKARA
10	802	600	1	ENKARA



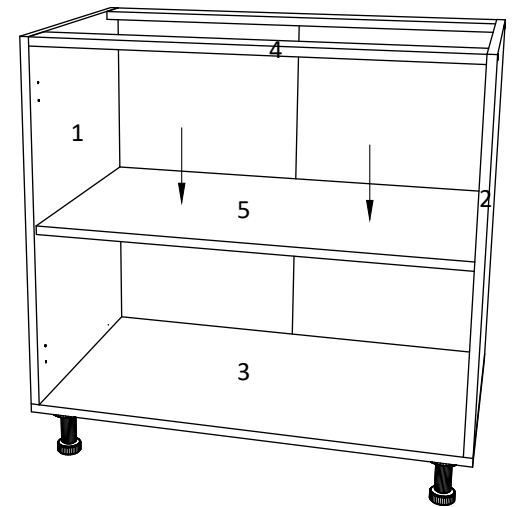
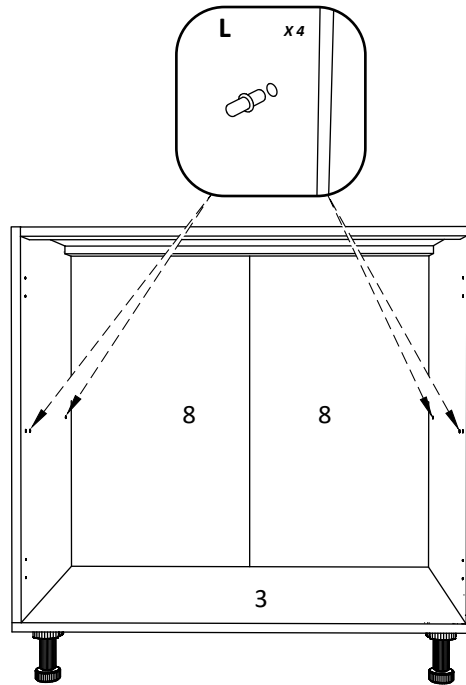
1

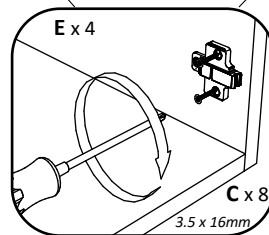
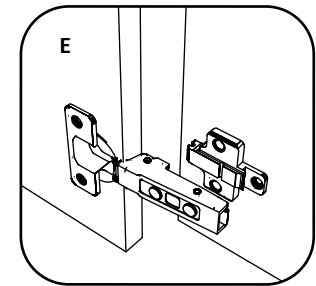
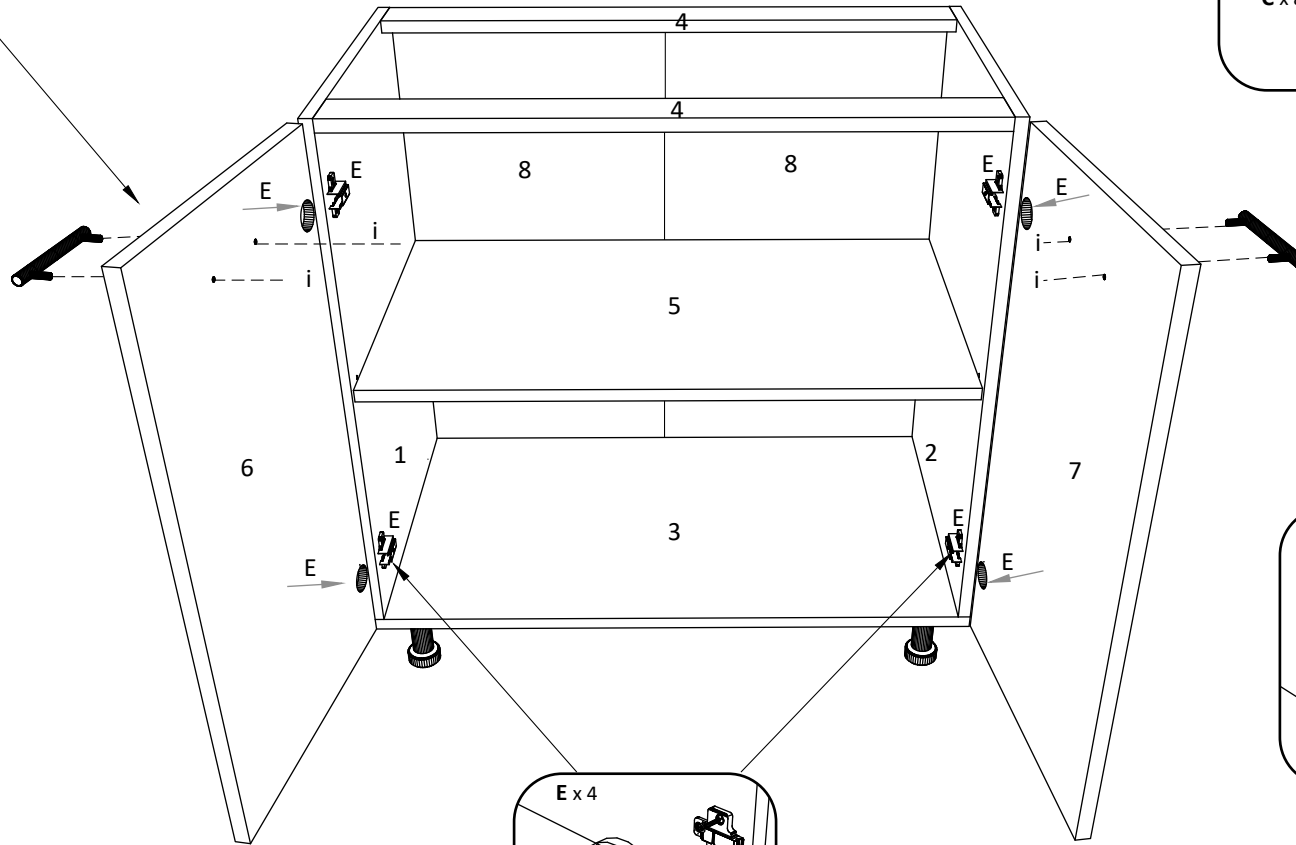
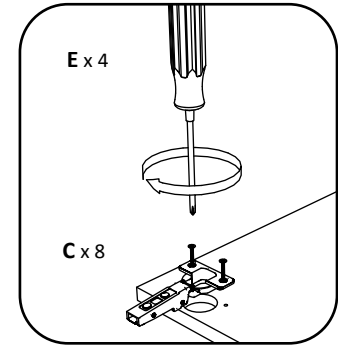
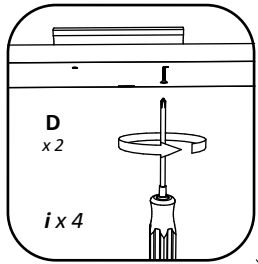


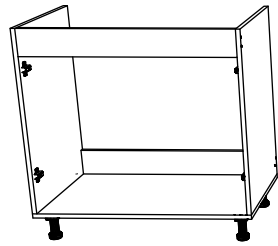
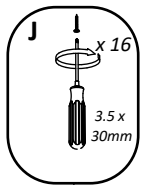
3



2



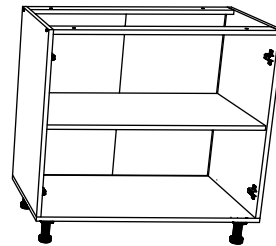




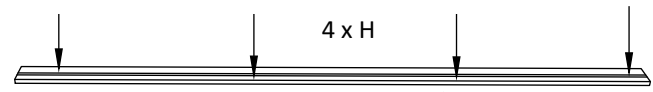
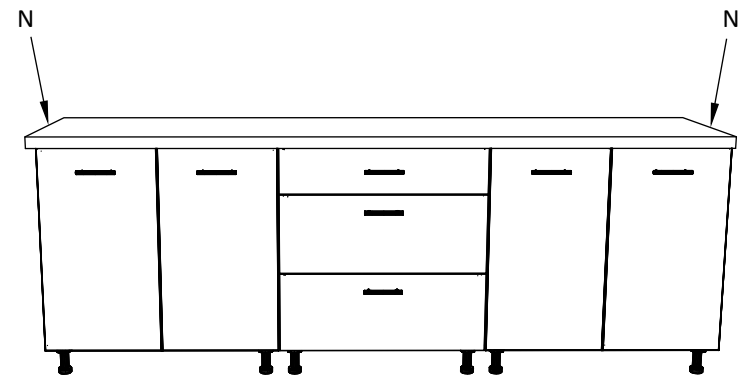
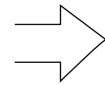
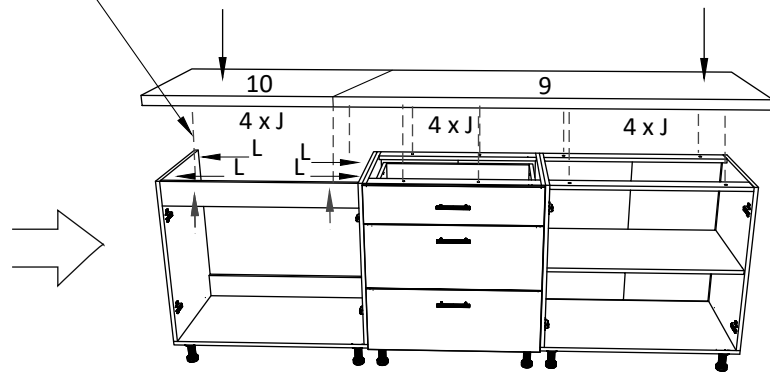
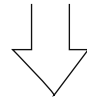
C1



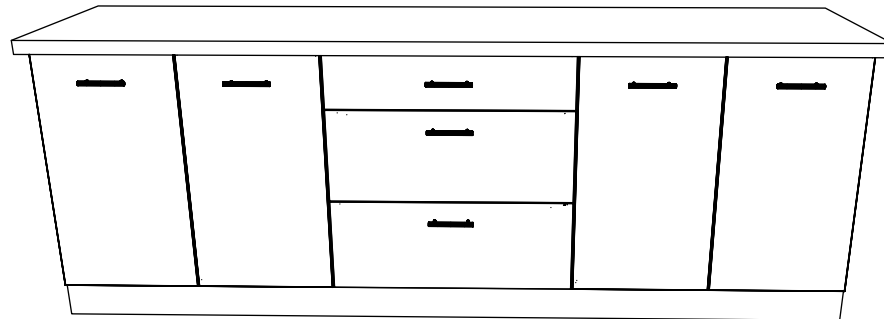
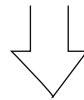
C2



C3

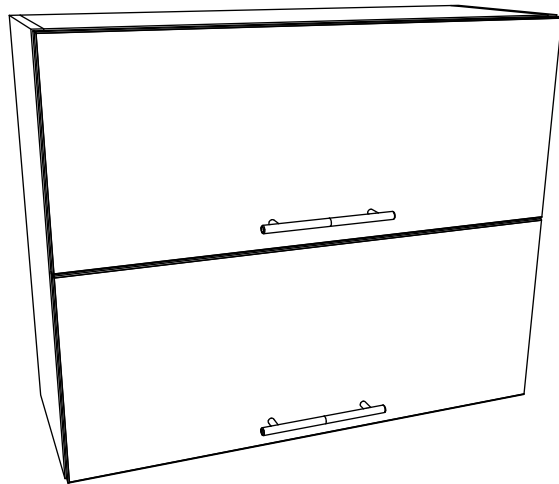
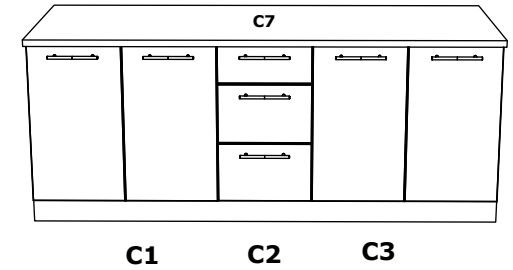
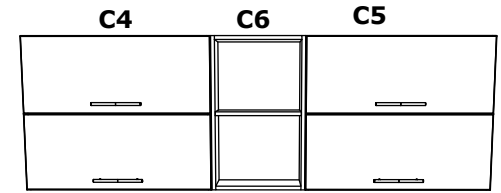


Plinta PAL



RO INSTRUCȚIUNI DE ASAMBLARE - **BUCATARIA ARIZONA - C4+C5 - 80 x 30 x 65 CM**

EN ASSEMBLY INSTRUCTIONS - **ARIZONA KITCHEN - C4+C5 - 80 x 30 x 65 CM**

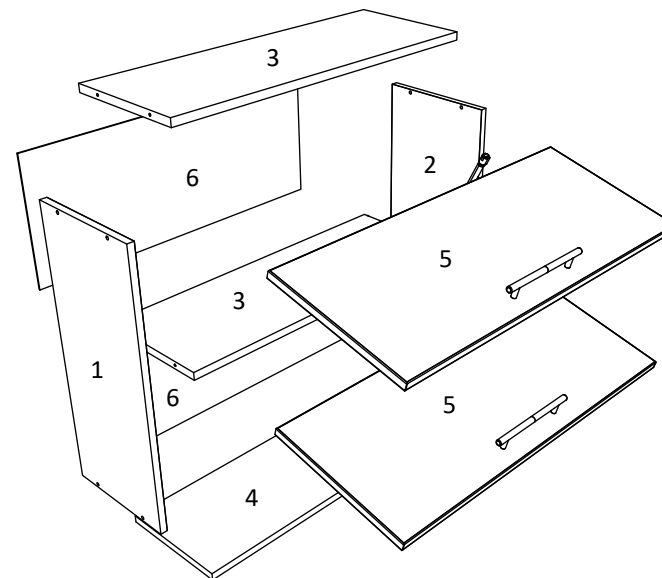


RO

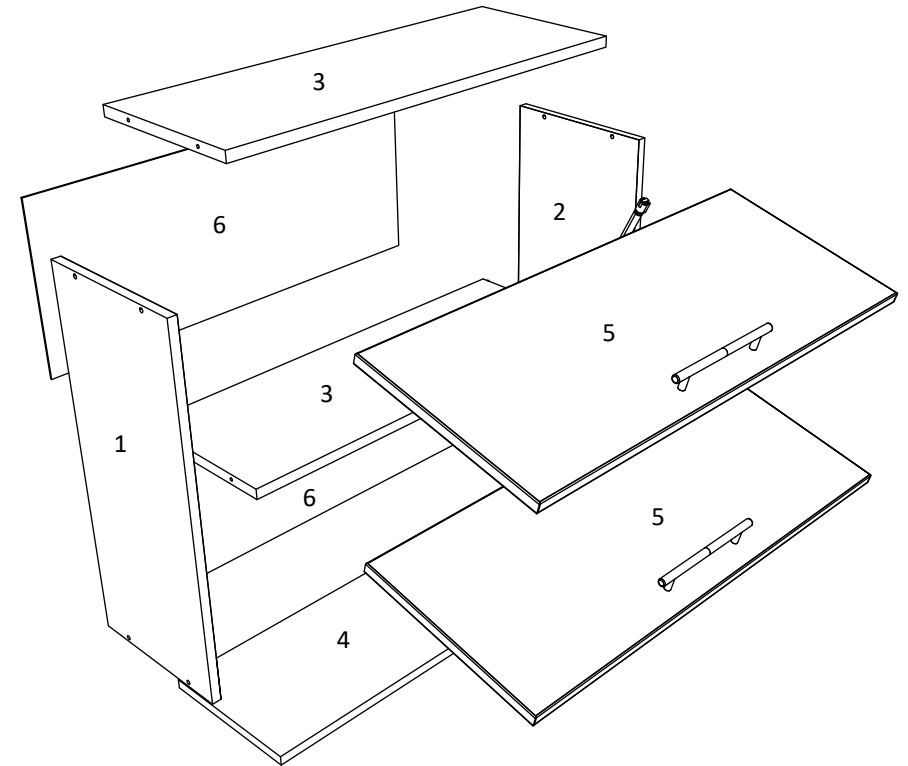
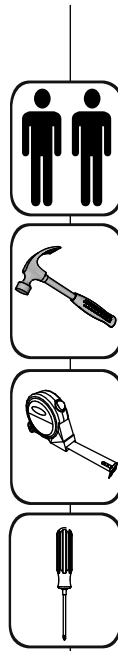
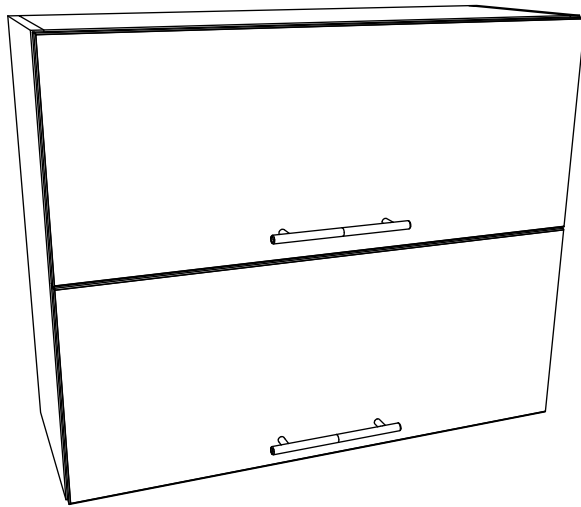
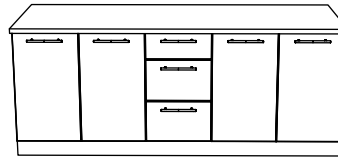
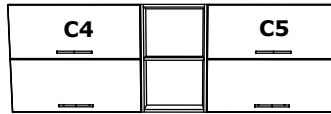
NUMAR	LUNGIME	LATIME	BUCATI	CULOARE
1	650	280	1	ALB
2	650	280	1	ALB
3	768	280	2	ALB
4	768	280	1	ALB
5	796	322	2	CULOARE
6	323	797	2	PANOU SPATE



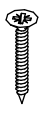
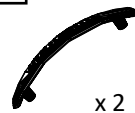
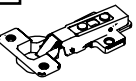



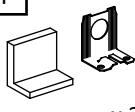
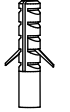

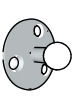

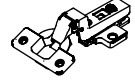
EN

NUMBER	LENGHT	WIDTH	PCS	COLOUR
1	650	280	1	WHITE
2	650	280	1	WHITE
3	768	280	2	WHITE
4	768	280	1	WHITE
5	796	322	2	COLOUR
6	323	797	2	BACK PANEL



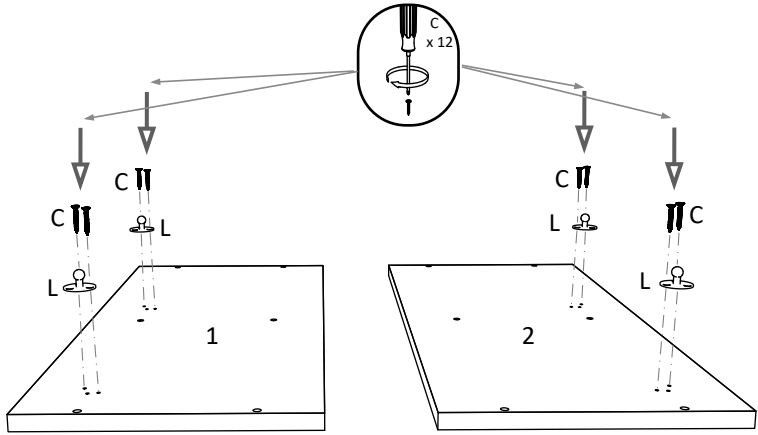
ARIZONA KITCHEN L = 2000 mm
C4+C5
 800x300x650 mm



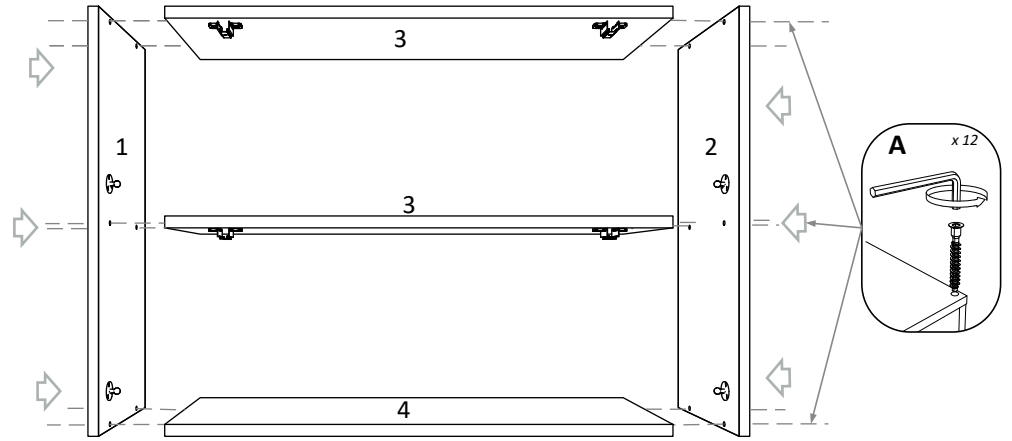
A 7x50mm  x 12	B  x 1	C 3.5 x 16 mm  x 40	D  x 2	E  x 2
F  x 30	G M4 x 20 mm  x 4	H 6 x 80 mm  x 2	I  x 2	J  x 2
K  x 4	L  x 4	M  x 4	N  x 2	

EN

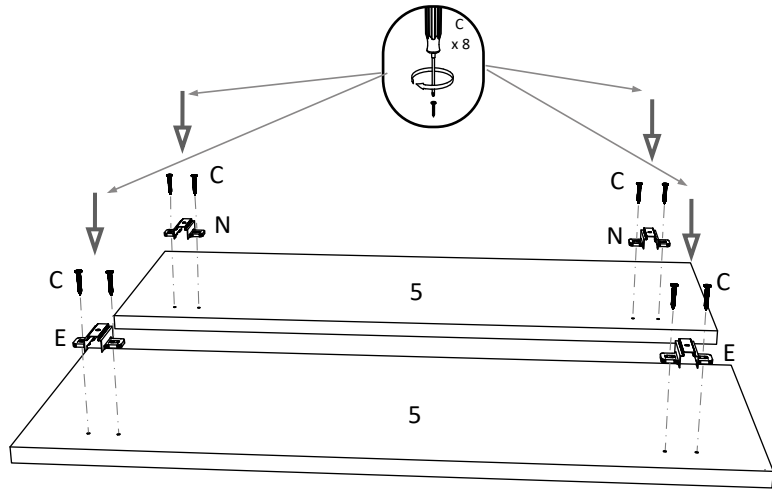
NUMBER	LENGHT	WIDTH	PCS	COLOUR
1	650	280	1	WHITE
2	650	280	1	WHITE
3	768	280	2	WHITE
4	768	280	1	WHITE
5	796	322	2	COLOUR
6	323	797	2	BACK PANEL



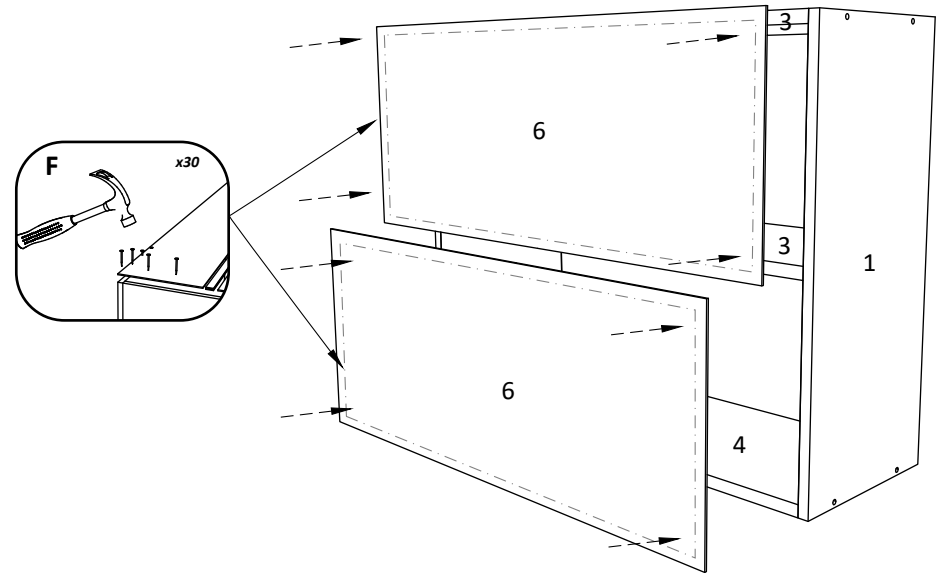
1



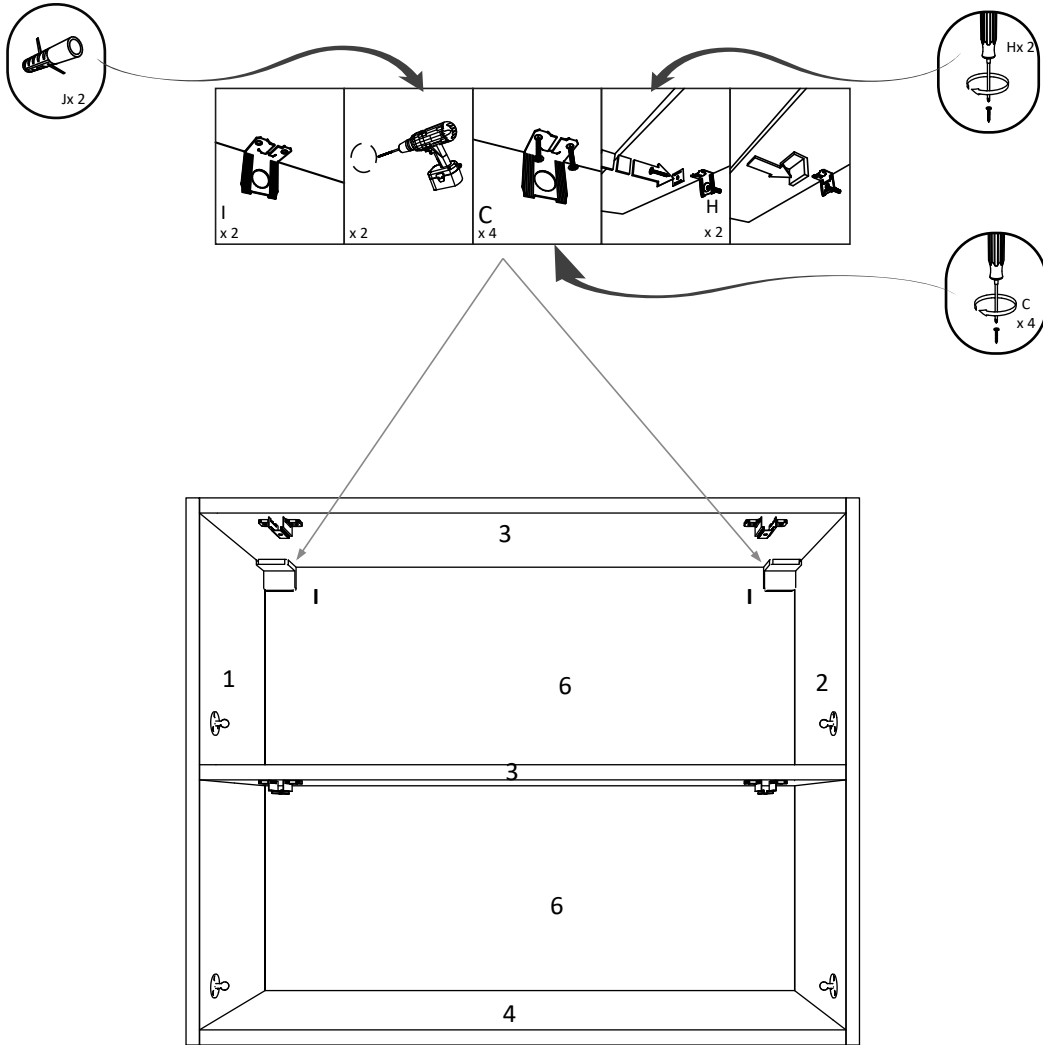
3



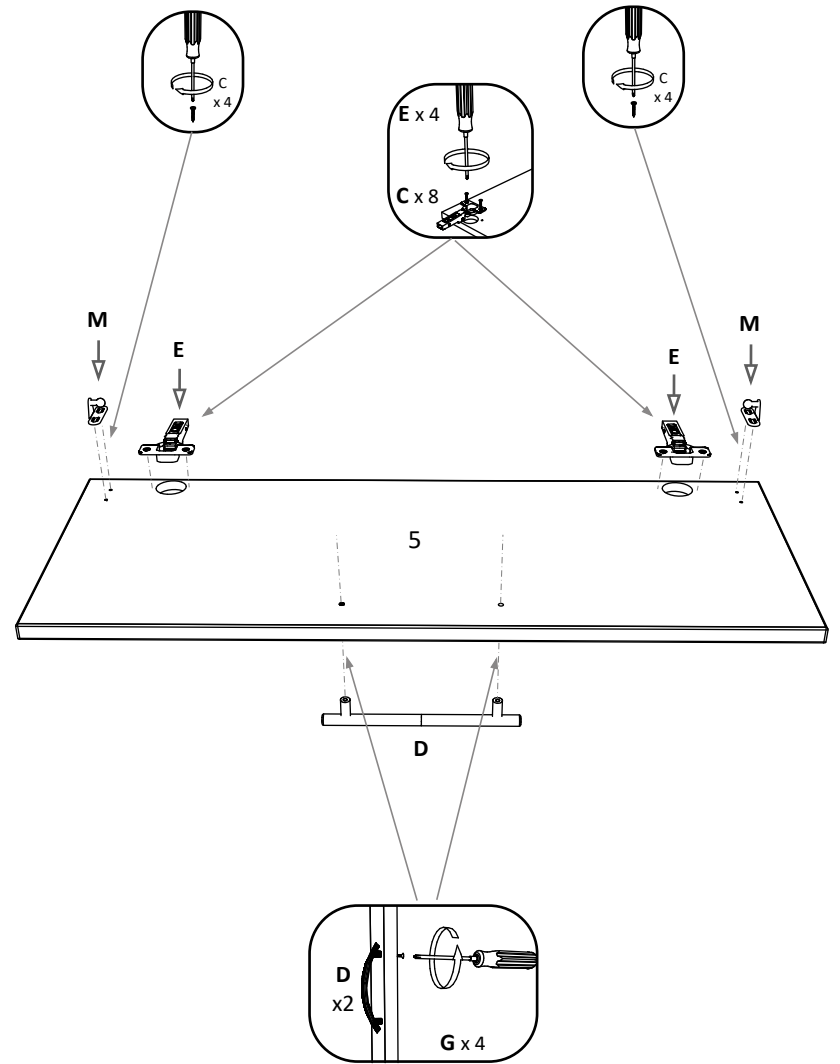
2



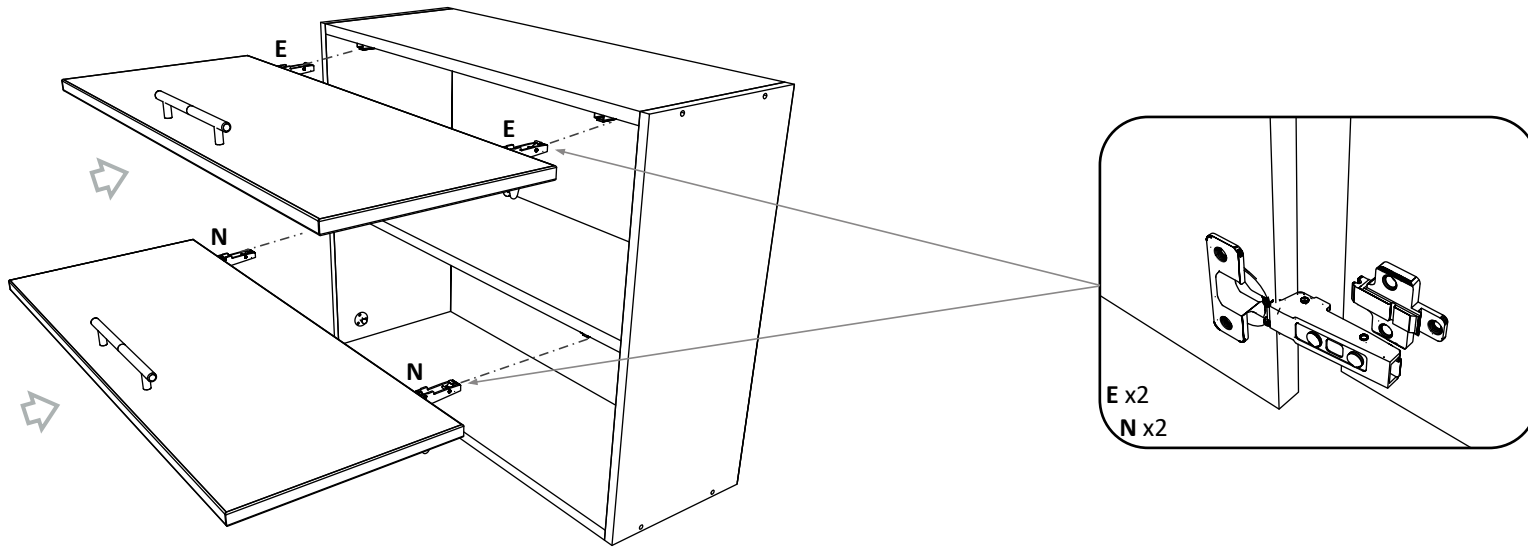
4



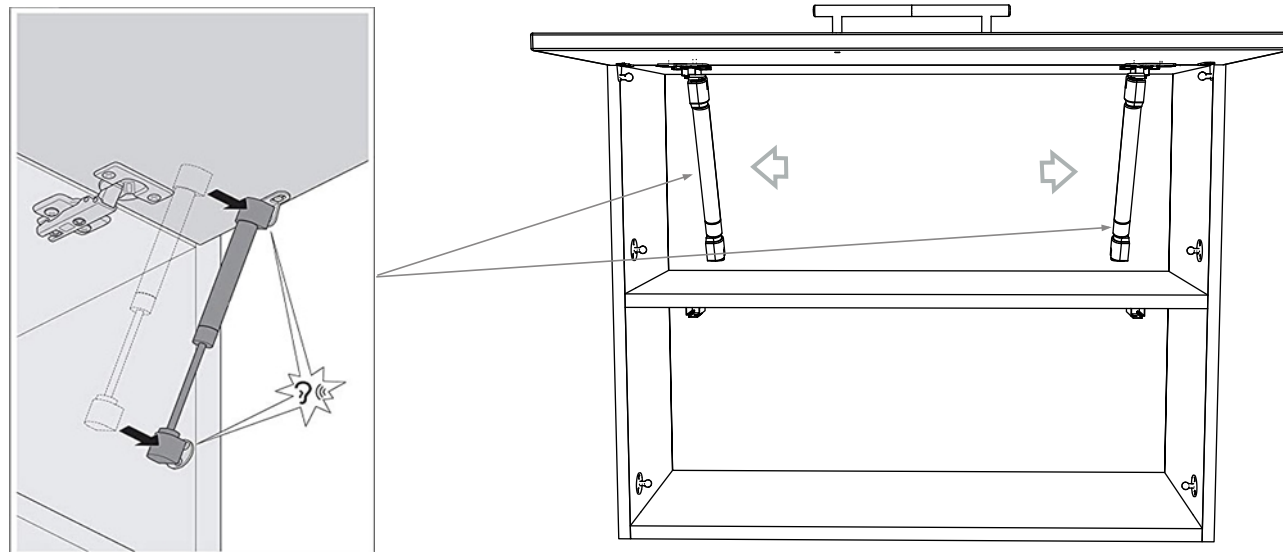
5



6



7



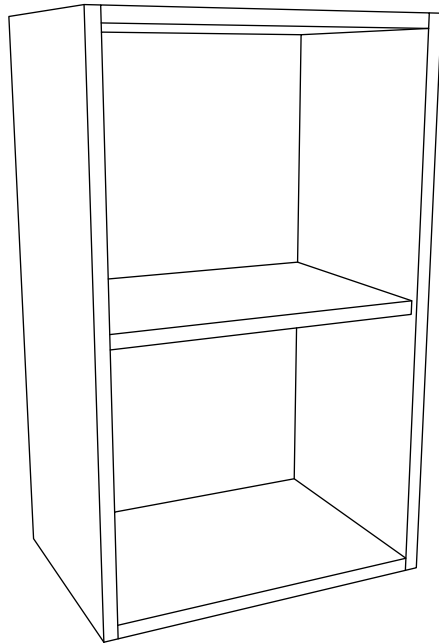
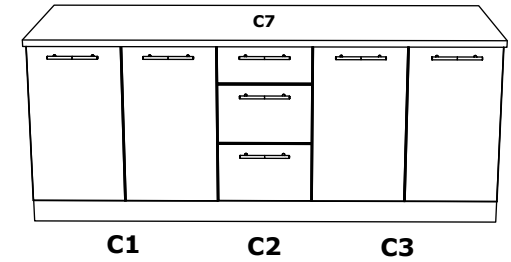
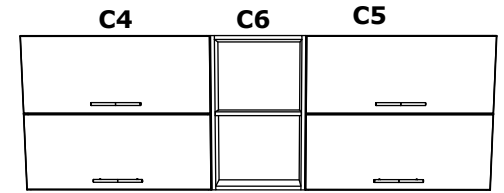
8

RO

INSTRUCTIUNI DE ASAMBLARE - **BUCATARIA ARIZONA - C6 - 40 x 30 x 65 CM**

EN

ASSEMBLY INSTRUCTIONS - **ARIZONA KITCHEN - C6 - 40 x 30 x 65 CM**

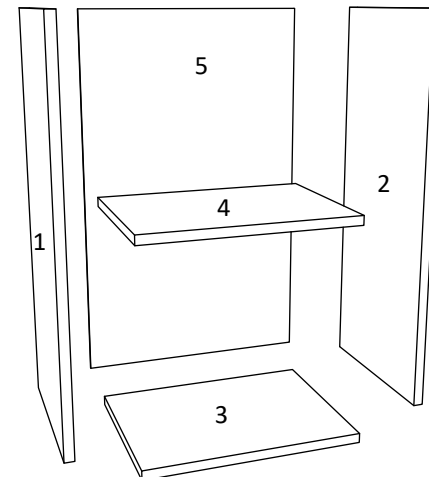
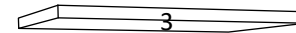


RO

NUMAR	LUNGIME	LATIME	BUCATI	CULOARE
1	650	280	1	ALB
2	650	280	1	ALB
3	368	280	2	ALB
4	368	270	1	ALB
5	646	396	1	PANOU SPATE

EN

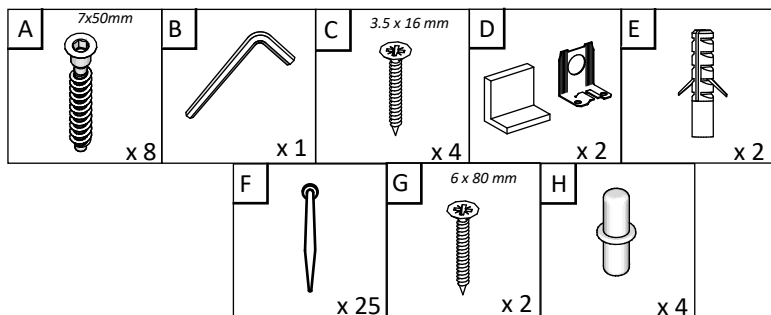
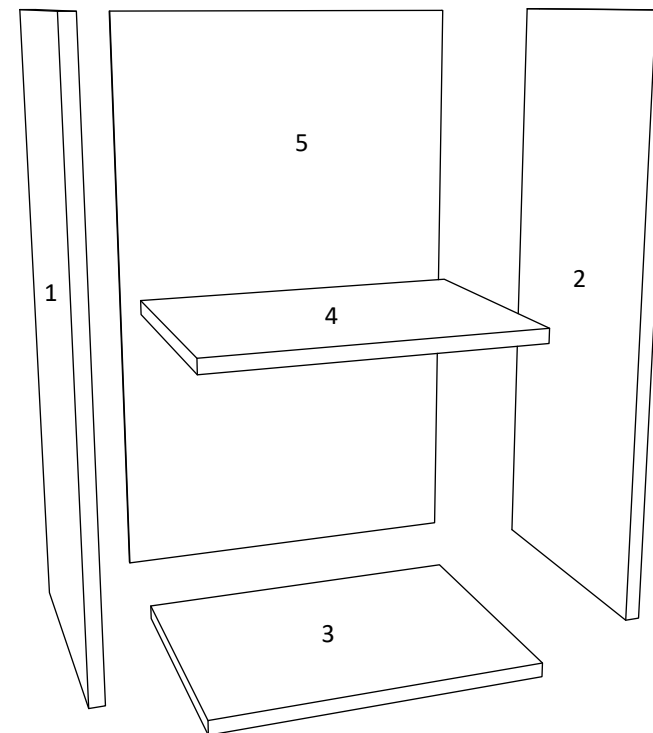
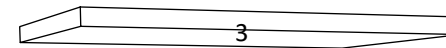
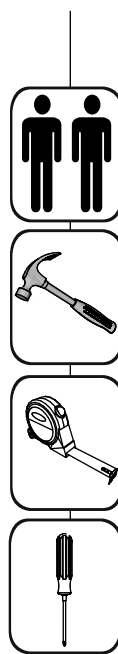
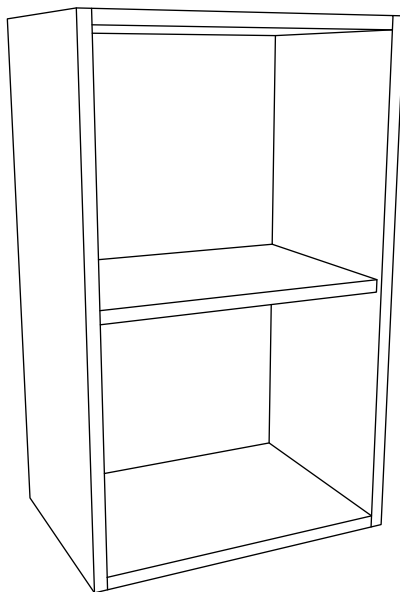
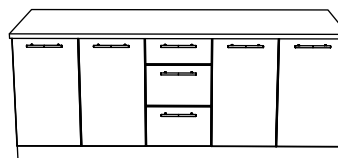
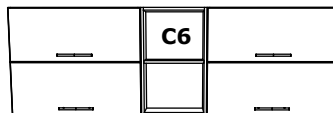
NUMBER	LENGHT	WIDTH	PCS	COLOUR
1	650	280	1	WHITE
2	650	280	1	WHITE
3	368	280	2	WHITE
4	368	270	1	WHITE
5	646	396	1	BACK PANEL



ARIZONA KITCHEN L = 2000 mm

C6

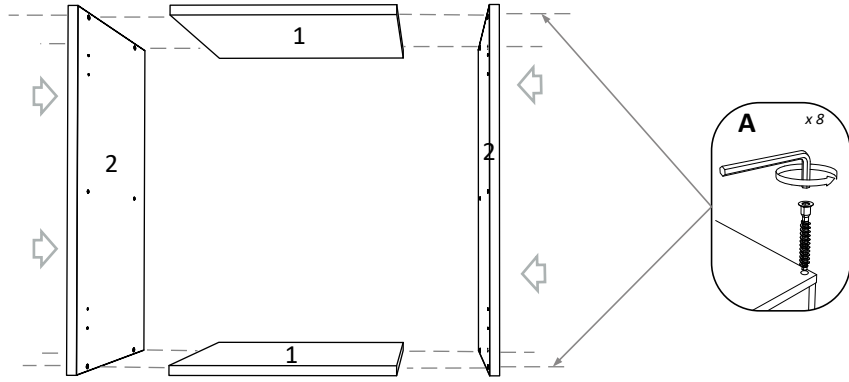
400x300x650 mm



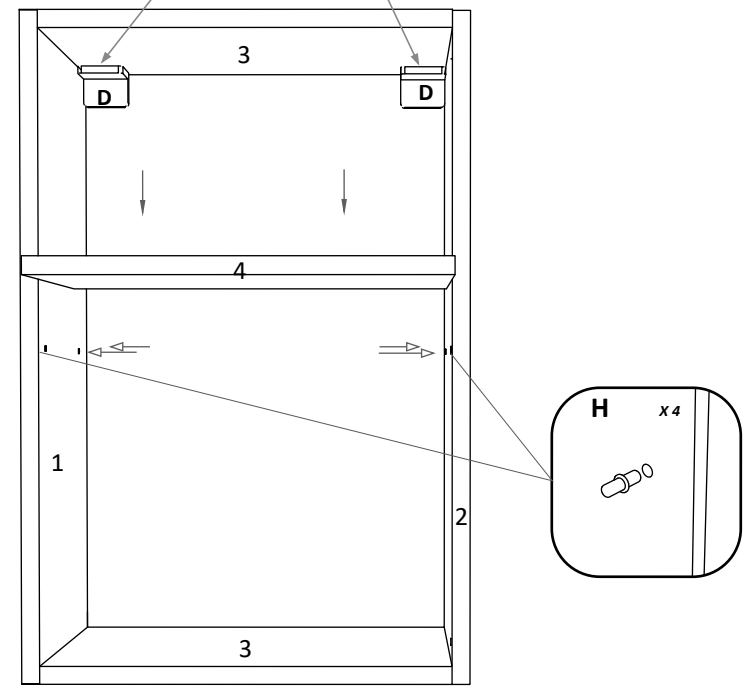
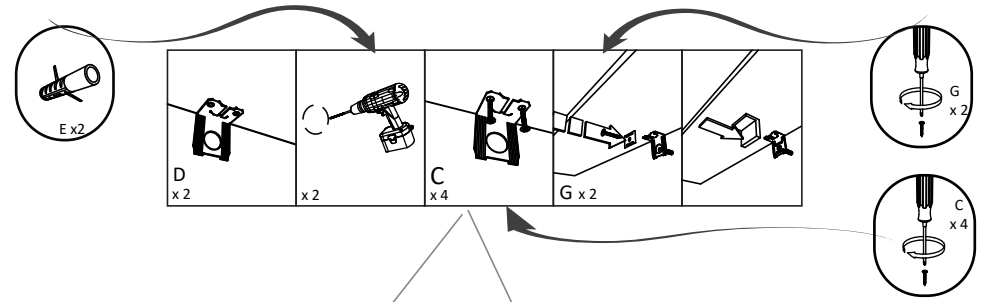
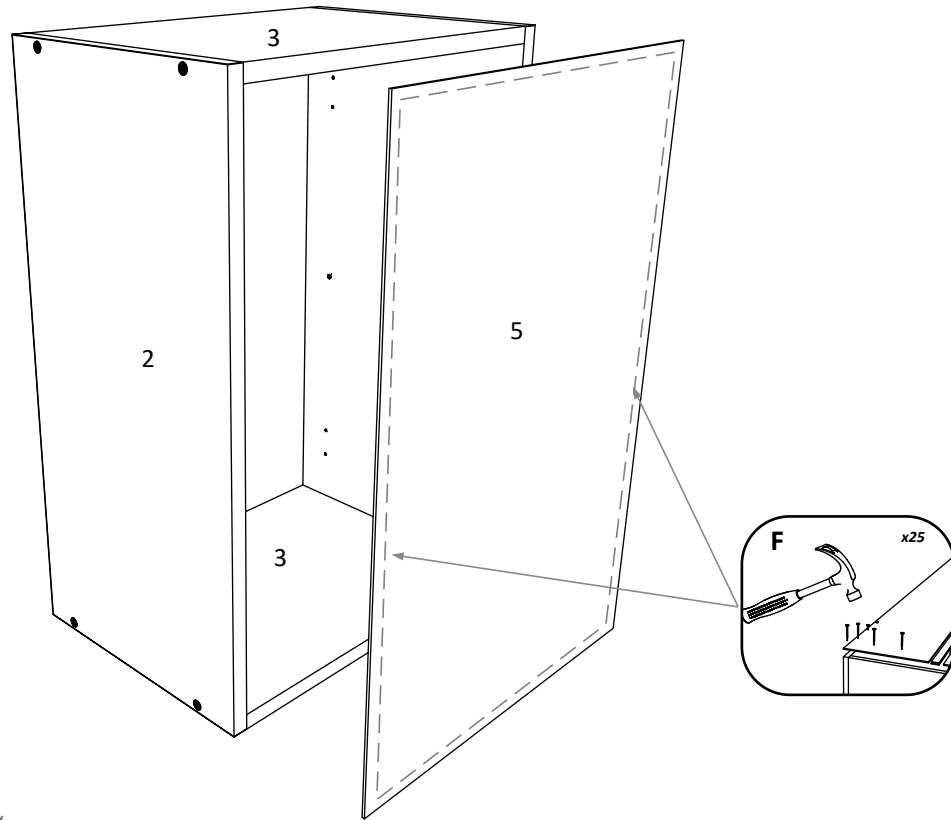
EN

NUMBER	LENGHT	WIDTH	PCS	COLOUR
1	650	280	1	WHITE
2	650	280	1	WHITE
3	368	280	2	WHITE
4	368	270	1	WHITE
5	646	396	1	BACK PANEL

1



2



3