

**RO** INSTRUCTIUNI DE ASAMBLARE - **CUIER COMO - DULAP 1 USA - 330 x 350 x 2000 MM**

**EN** ASSEMBLY INSTRUCTIONS - **HANGER COMO - 1 DOOR CABINET - 330 x 350 x 2000 MM**

**FR** ISTRUCTIONS DE MONTAGE - **CINTRE COMO - ARMOIRE 1 PORTE - 330 x 350 x 2000 MM**

**HU** ÖSSZESZERELÉSI ÚTMUTATÓ - **AKASZTÓ COMO - SZEKRÉNY 1 AJTÓ - 330 x 350 x 2000 MM**

**BG** ИНСТРУКЦИИ ЗА СГЛОБЯВАНЕ - **ЗАКАЧАЛКА СОМО - ШКАФ 1 ВРАТА - 330 x 350 x 2000 MM**

**RO**

| NUMAR | LUNGIME | LATIME | BUC | CULOARE     |
|-------|---------|--------|-----|-------------|
| 1     | 1943    | 330    | 1   | CULOARE     |
| 2     | 1943    | 330    | 1   | CULOARE     |
| 3     | 330     | 350    | 2   | CULOARE     |
| 4     | 298     | 330    | 1   | CULOARE     |
| 5     | 298     | 320    | 3   | CULOARE     |
| 6     | 1938    | 326    | 1   | CULOARE     |
| 7     | 1970    | 326    | 1   | PANOU SPATE |

**EN**

| NUMBER | LENGTH | WIDTH | PCS | COLOUR      |
|--------|--------|-------|-----|-------------|
| 1      | 1943   | 330   | 1   | COLOUR      |
| 2      | 1943   | 330   | 1   | COLOUR      |
| 3      | 330    | 350   | 2   | COLOUR      |
| 4      | 298    | 330   | 1   | COLOUR      |
| 5      | 298    | 320   | 3   | COLOUR      |
| 6      | 1938   | 326   | 1   | COLOUR      |
| 7      | 1970   | 326   | 1   | BACK PANNEL |

**HU**

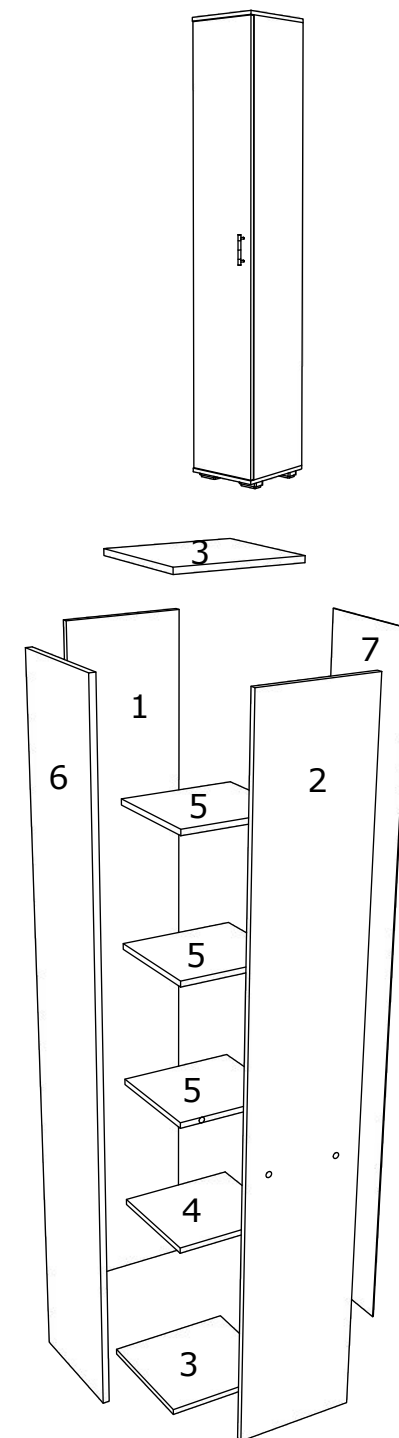
| SZÁM | HOSSZA | SZÉLES | DARAB | SZÍN          |
|------|--------|--------|-------|---------------|
| 1    | 1943   | 330    | 1     | SZÍN          |
| 2    | 1943   | 330    | 1     | SZÍN          |
| 3    | 330    | 350    | 2     | SZÍN          |
| 4    | 298    | 330    | 1     | SZÍN          |
| 5    | 298    | 320    | 3     | SZÍN          |
| 6    | 1938   | 326    | 1     | SZÍN          |
| 7    | 1970   | 326    | 1     | HÁTULSÓ PANEL |

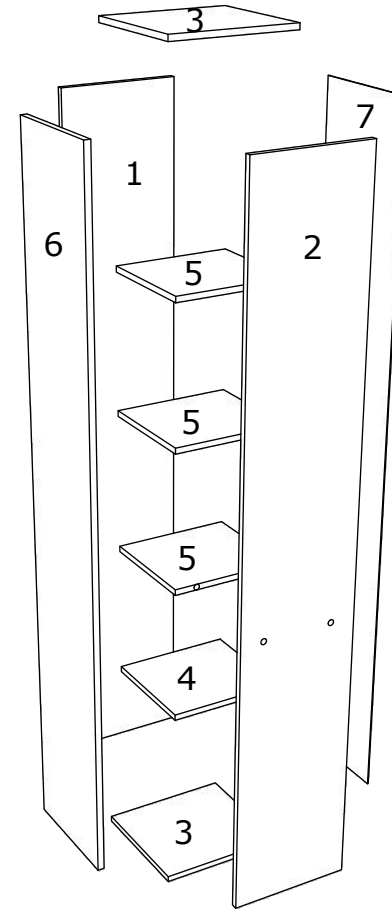
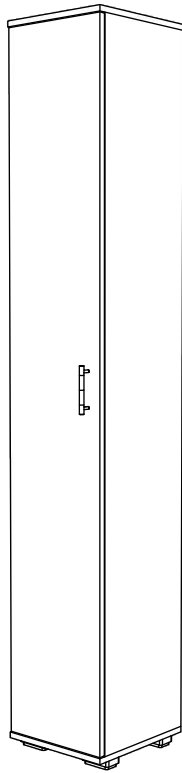
**BG**


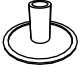

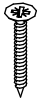

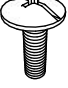
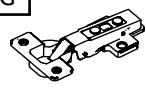


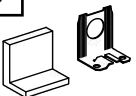
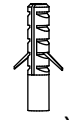
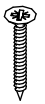

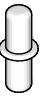
| Номер | Дължина | Ширина | Парчета | Цвят        |
|-------|---------|--------|---------|-------------|
| 1     | 1943    | 330    | 1       | Цвят        |
| 2     | 1943    | 330    | 1       | Цвят        |
| 3     | 330     | 350    | 2       | Цвят        |
| 4     | 298     | 330    | 1       | Цвят        |
| 5     | 298     | 320    | 3       | Цвят        |
| 6     | 1938    | 326    | 1       | Цвят        |
| 7     | 1970    | 326    | 1       | Заден панел |

**FR**

| NOMBRE | LONGUEUR | LARGEUR | PIÈCES | COULEUR         |
|--------|----------|---------|--------|-----------------|
| 1      | 1943     | 330     | 1      | COULEUR         |
| 2      | 1943     | 330     | 1      | COULEUR         |
| 3      | 330      | 350     | 2      | COULEUR         |
| 4      | 298      | 330     | 1      | COULEUR         |
| 5      | 298      | 320     | 3      | COULEUR         |
| 6      | 1938     | 326     | 1      | COULEUR         |
| 7      | 1970     | 326     | 1      | PANNEAU ARRIÈRE |

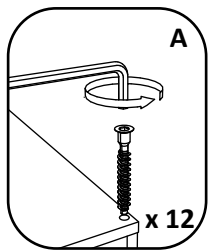
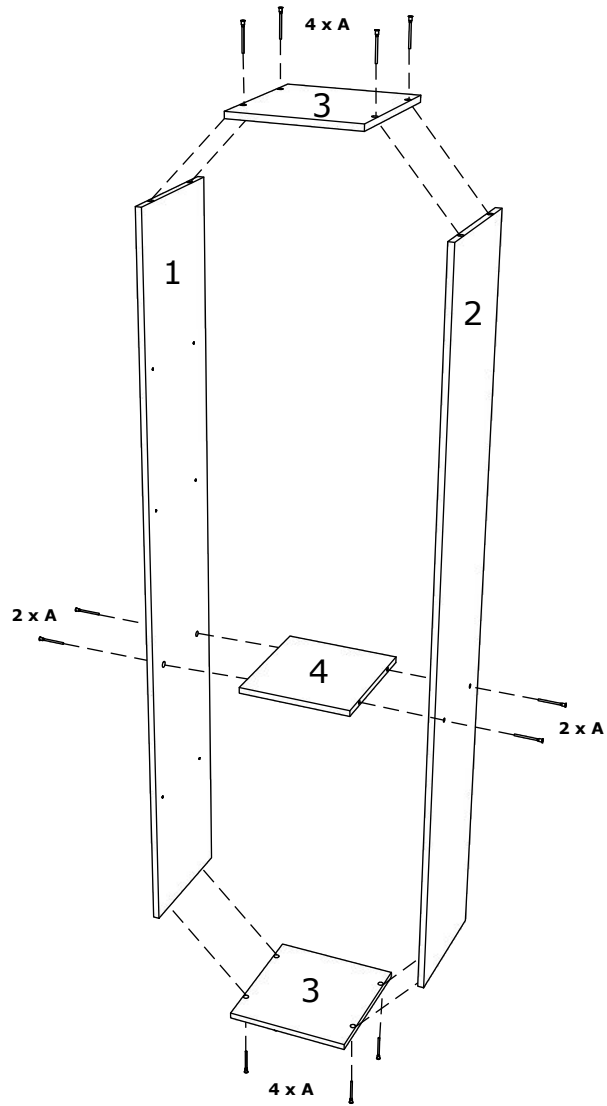




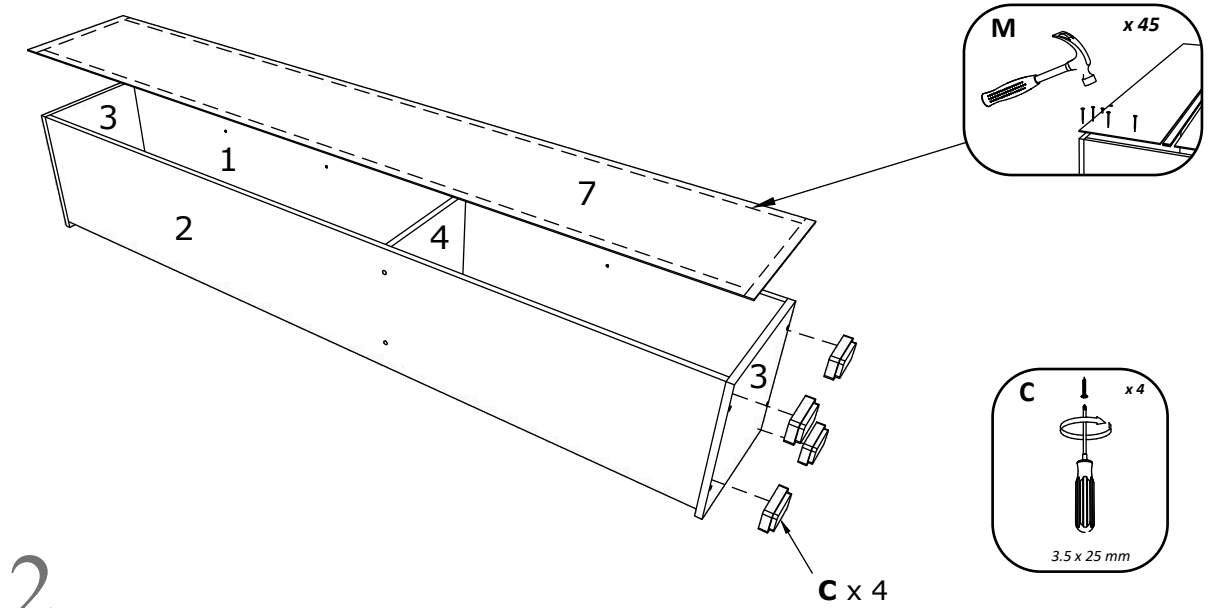
|   |  |   |  |   |   |   |   |   |  |   |   |
|---|--|---|--|---|---|---|---|---|--|---|---|
| A | 7x50mm<br><br>x 12 | B | <br>x 4                 | C | 25 mm<br><br>x 4 | D | 3.5 x 25 mm<br><br>x 8 | E | 160 mm<br><br>x 1 | F | M4 x 20mm<br><br>x 2 |
| G | <br>x 3           | H | 3.5 x 16 mm<br><br>x 16 | I | <br>x 1          | J | <br>x 2                | K | <br>x 2           | L | 6 x 80 mm<br><br>x 2 |
| M | <br>x 45          | N | <br>x 12                |   |   |   |   |   |  |   |   |

EN

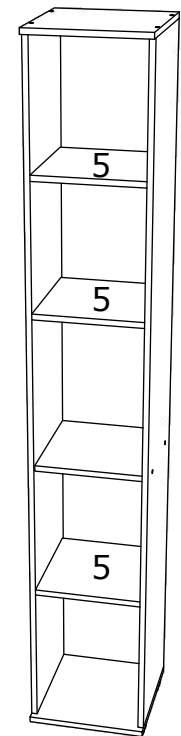
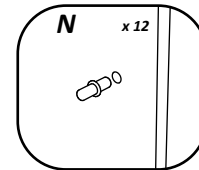
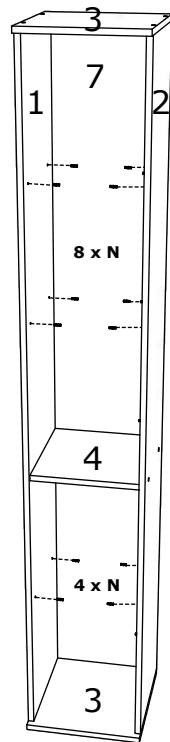
| NUMBER | LENGTH | WIDTH | PCS | COLOUR      |
|--------|--------|-------|-----|-------------|
| 1      | 1943   | 330   | 1   | COLOUR      |
| 2      | 1943   | 330   | 1   | COLOUR      |
| 3      | 330    | 350   | 2   | COLOUR      |
| 4      | 298    | 330   | 1   | COLOUR      |
| 5      | 298    | 320   | 3   | COLOUR      |
| 6      | 1938   | 326   | 1   | COLOUR      |
| 7      | 1970   | 326   | 1   | BACK PANNEL |



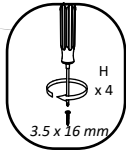
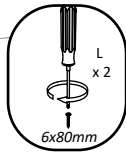
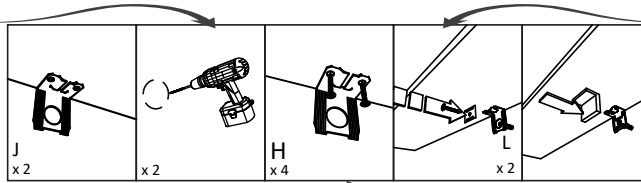
1



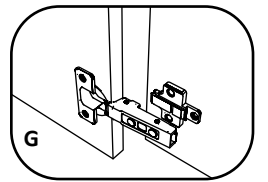
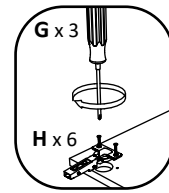
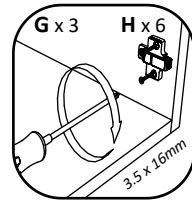
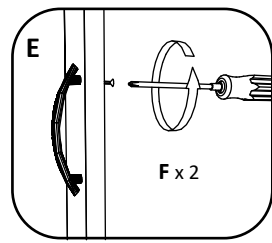
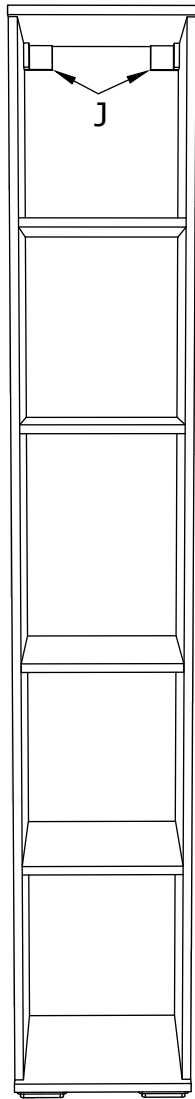
2



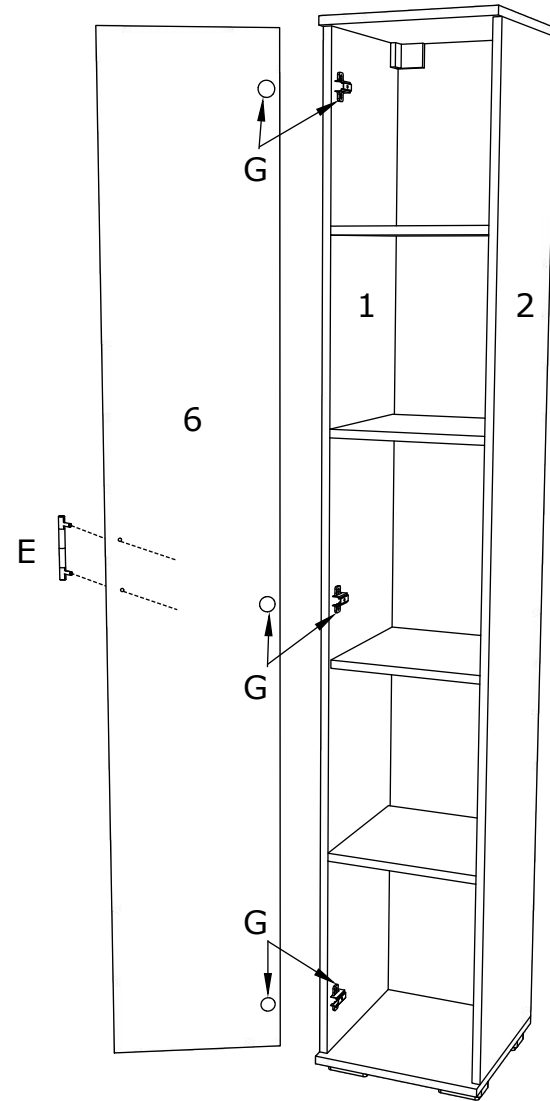
3



4



5



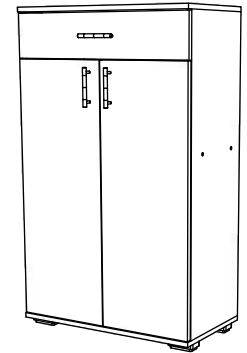
**RO** INSTRUCȚIUNI DE ASAMBLARE - CUIER COMO - PANTOFAR 2 USI SI 1 SERTAR - 660 x 350 x 1100 MM

**EN** ASSEMBLY INSTRUCTIONS - HANGER COMO - SHOE 2 DOORS AND 1 DRAWER - 660 x 350 x 1100 MM

**FR** ISTRUCTIONS DE MONTAGE - CINTRE COMO - CHAUSSURE 2 PORTES ET 1 TIROIR- 660 x 350 x 1100 MM

**HU** ÖSSZESZERELÉSI ÚTMUTATÓ - AKASZTÓ COMO - 2 AJTÓS CIPŐ ÉS 1 FIÓK - 660 x 350 x 1100 MM

**BG** ИНСТРУКЦИИ ЗА СГЛОБЯВАНЕ - ЗАКАЧАЛКА СОМО - ОБУВКА 2 ВРАТИ И 1 чекмедже - 660 x 350 x 1100 MM



**RO**

| NUMAR | LUNGIME | LATIME | BUC | CULOARE     |
|-------|---------|--------|-----|-------------|
| 1     | 1043    | 330    | 1   | CULOARE     |
| 2     | 1043    | 330    | 1   | CULOARE     |
| 3     | 662     | 350    | 1   | CULOARE     |
| 4     | 660     | 350    | 1   | CULOARE     |
| 5     | 628     | 330    | 1   | CULOARE     |
| 6     | 628     | 320    | 1   | CULOARE     |
| 7     | 150     | 656    | 1   | CULOARE     |
| 8     | 883     | 326    | 2   | CULOARE     |
| 9     | 300     | 80     | 2   | CULOARE     |
| 10    | 571     | 80     | 1   | CULOARE     |
| 11    | 571     | 80     | 1   | CULOARE     |
| 12    | 600     | 298    | 1   | PANOU SPATE |
| 13    | 1071    | 326    | 2   | PANOU SPATE |

**EN**

| NUMBER | LENGTH | WIDTH | PCS | COLOUR      |
|--------|--------|-------|-----|-------------|
| 1      | 1043   | 330   | 1   | CULOARE     |
| 2      | 1043   | 330   | 1   | CULOARE     |
| 3      | 662    | 350   | 1   | CULOARE     |
| 4      | 660    | 350   | 1   | CULOARE     |
| 5      | 628    | 330   | 1   | CULOARE     |
| 6      | 628    | 320   | 1   | CULOARE     |
| 7      | 150    | 656   | 1   | CULOARE     |
| 8      | 883    | 326   | 2   | CULOARE     |
| 9      | 300    | 80    | 2   | CULOARE     |
| 10     | 571    | 80    | 1   | CULOARE     |
| 11     | 571    | 80    | 1   | CULOARE     |
| 12     | 600    | 298   | 1   | BACK PANNEL |
| 13     | 1071   | 326   | 2   | BACK PANNEL |

**FR**

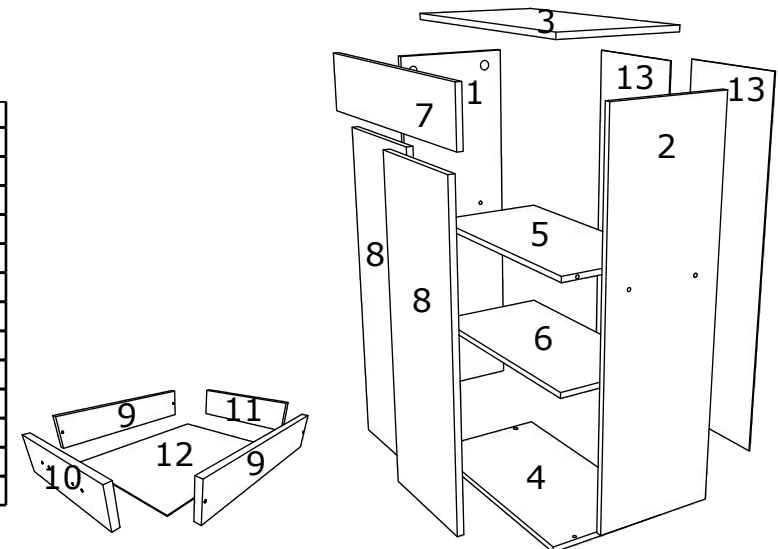
| NOMBRE | LONGUEUR | LARGEUR | PIÈCES | COULEUR         |
|--------|----------|---------|--------|-----------------|
| 1      | 1043     | 330     | 1      | COULEUR         |
| 2      | 1043     | 330     | 1      | COULEUR         |
| 3      | 662      | 350     | 1      | COULEUR         |
| 4      | 660      | 350     | 1      | COULEUR         |
| 5      | 628      | 330     | 1      | COULEUR         |
| 6      | 628      | 320     | 1      | COULEUR         |
| 7      | 150      | 656     | 1      | COULEUR         |
| 8      | 883      | 326     | 2      | COULEUR         |
| 9      | 300      | 80      | 2      | COULEUR         |
| 10     | 571      | 80      | 1      | COULEUR         |
| 11     | 571      | 80      | 1      | COULEUR         |
| 12     | 600      | 298     | 1      | PANNEAU ARRIÈRE |
| 13     | 1071     | 326     | 2      | PANNEAU ARRIÈRE |

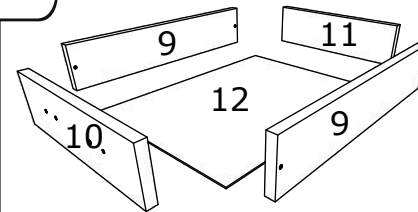
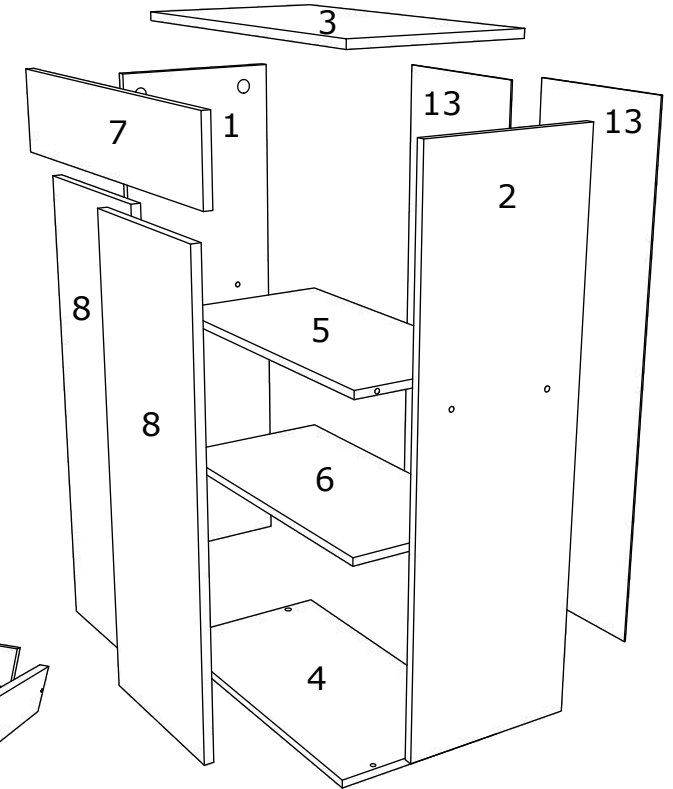
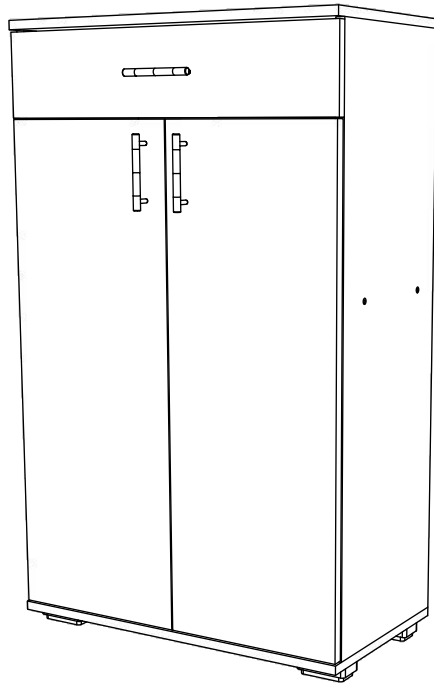
**HU**


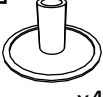
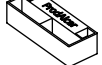
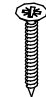





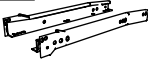

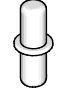



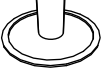
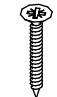
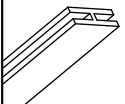
| SZÁM | HOSSZA | SZÉLES | DARAB | SZÍN          |
|------|--------|--------|-------|---------------|
| 1    | 1043   | 330    | 1     | SZÍN          |
| 2    | 1043   | 330    | 1     | SZÍN          |
| 3    | 662    | 350    | 1     | SZÍN          |
| 4    | 660    | 350    | 1     | SZÍN          |
| 5    | 628    | 330    | 1     | SZÍN          |
| 6    | 628    | 320    | 1     | SZÍN          |
| 7    | 150    | 656    | 1     | SZÍN          |
| 8    | 883    | 326    | 2     | SZÍN          |
| 9    | 300    | 80     | 2     | SZÍN          |
| 10   | 571    | 80     | 1     | SZÍN          |
| 11   | 571    | 80     | 1     | SZÍN          |
| 12   | 600    | 298    | 1     | HÁTULSÓ PANEL |
| 13   | 1071   | 326    | 2     | HÁTULSÓ PANEL |

**BG**

| Номер | Дължина | Ширина | Парчета | Цвят        |
|-------|---------|--------|---------|-------------|
| 1     | 1043    | 330    | 1       | Цвят        |
| 2     | 1043    | 330    | 1       | Цвят        |
| 3     | 662     | 350    | 1       | Цвят        |
| 4     | 660     | 350    | 1       | Цвят        |
| 5     | 628     | 330    | 1       | Цвят        |
| 6     | 628     | 320    | 1       | Цвят        |
| 7     | 150     | 656    | 1       | Цвят        |
| 8     | 883     | 326    | 2       | Цвят        |
| 9     | 300     | 80     | 2       | Цвят        |
| 10    | 571     | 80     | 1       | Цвят        |
| 11    | 571     | 80     | 1       | Цвят        |
| 12    | 600     | 298    | 1       | Заден панел |
| 13    | 1071    | 326    | 2       | Заден панел |

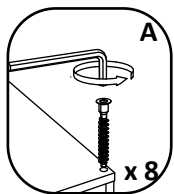
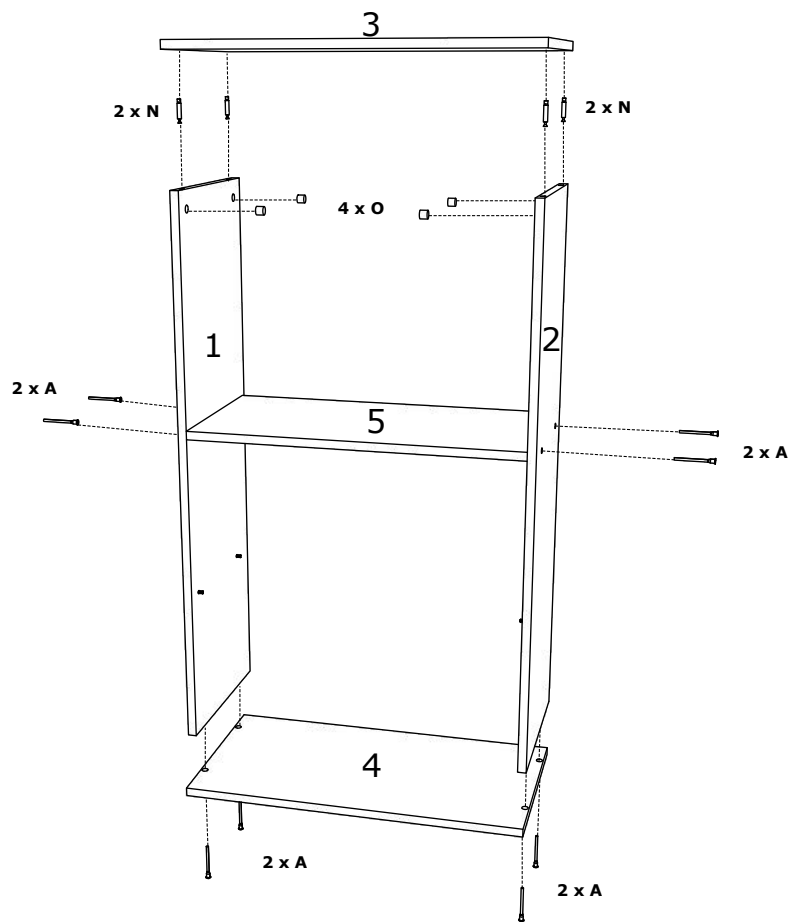
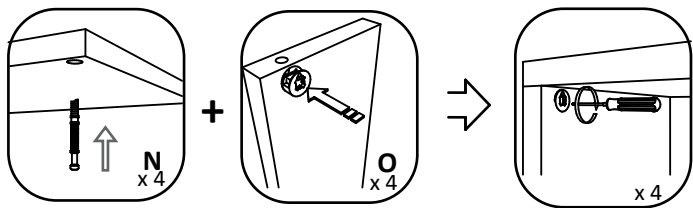




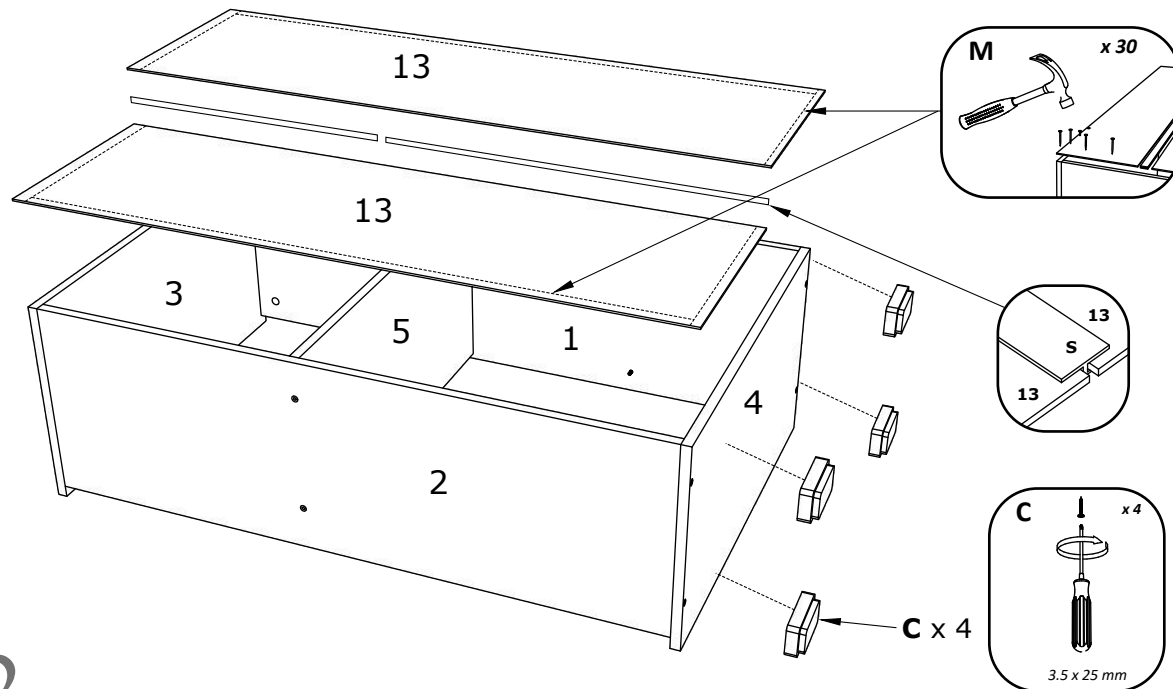
|   |   |   |  |   |   |   |  |   |   |   |  |
|---|---|---|--|---|---|---|--|---|---|---|--|
| A | 7x50mm<br><br>x 8 | B | <br>x 4                 | C | 25 mm<br><br>x 4 | D | 3.5 x 25 mm<br><br>x 10 | E | 160 mm<br><br>x 3      | F | M4 x 20mm<br><br>x 4          |
| G | <br>x 4          | H | 3.5 x 16 mm<br><br>x 24 | I | <br>x 1          | J | 300 mm<br><br>1 x       | K | M4 x 35mm<br><br>x 2   | L | <br>x 4                       |
| M | <br>x 50         | N | <br>x 4                 | O | <br>4 x          | P | <br>x 4                 | R | 3.5 x 35 mm<br><br>x 4 | S | L = 580 MM<br>L = 442 MM<br> |

EN

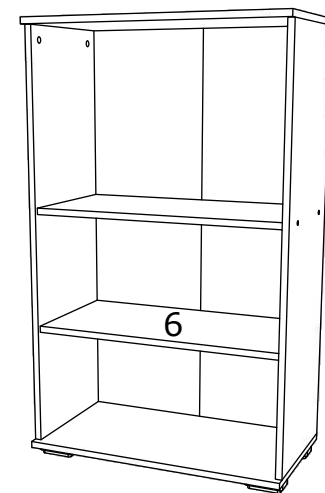
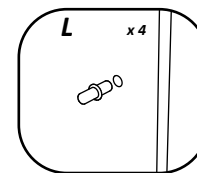
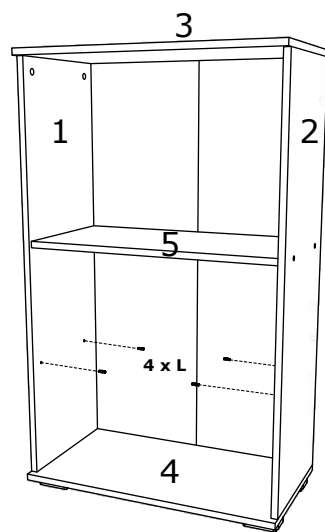
| NUMBER | LENGTH | WIDTH | PCS | COLOUR      |
|--------|--------|-------|-----|-------------|
| 1      | 1043   | 330   | 1   | CULOARE     |
| 2      | 1043   | 330   | 1   | CULOARE     |
| 3      | 662    | 350   | 1   | CULOARE     |
| 4      | 660    | 350   | 1   | CULOARE     |
| 5      | 628    | 330   | 1   | CULOARE     |
| 6      | 628    | 320   | 1   | CULOARE     |
| 7      | 150    | 656   | 1   | CULOARE     |
| 8      | 883    | 326   | 2   | CULOARE     |
| 9      | 300    | 80    | 2   | CULOARE     |
| 10     | 571    | 80    | 1   | CULOARE     |
| 11     | 571    | 80    | 1   | CULOARE     |
| 12     | 600    | 298   | 1   | BACK PANNEL |
| 13     | 1071   | 326   | 2   | BACK PANNEL |



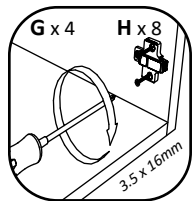
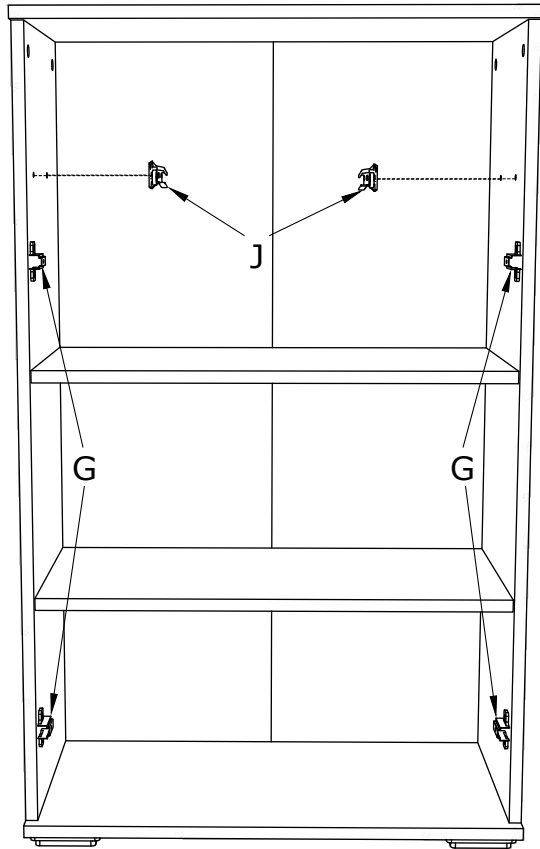
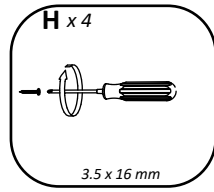
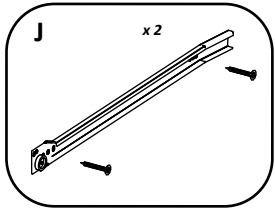
1



2

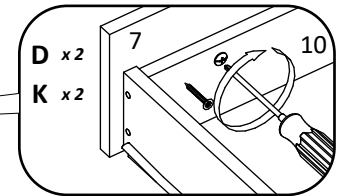
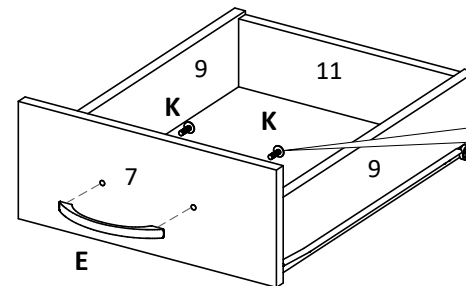
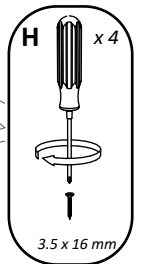
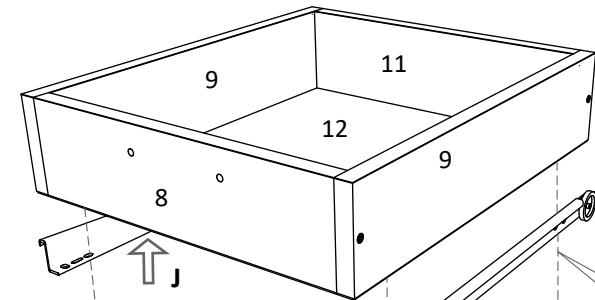
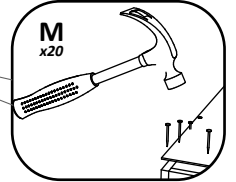
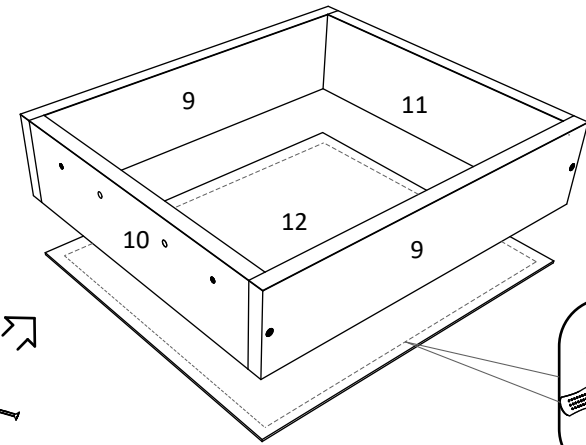
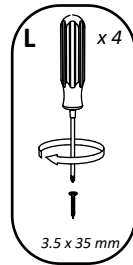
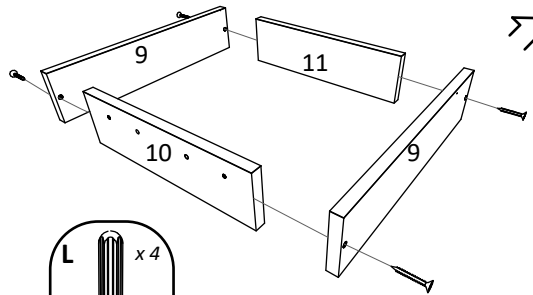


3

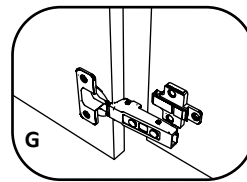
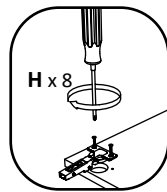
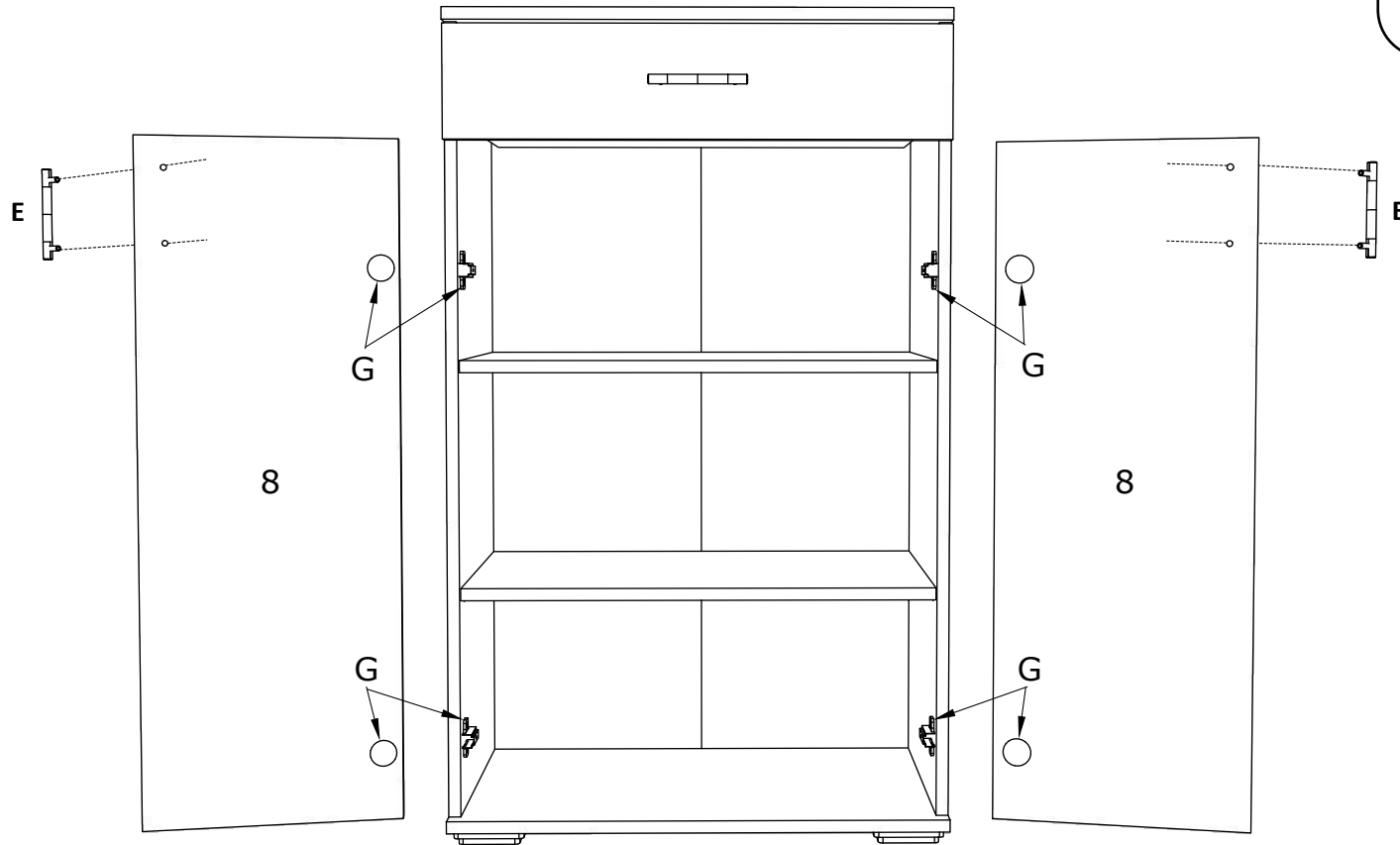
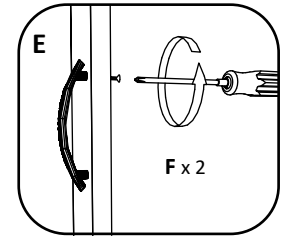
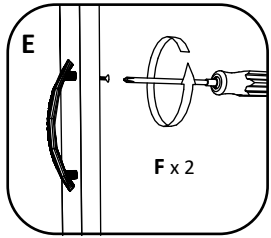


4

5







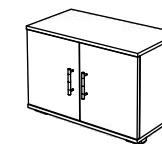
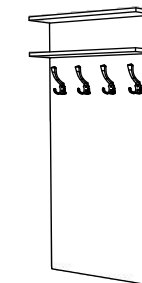
**RO** INSTRUCȚIUNI DE ASAMBLARE - **CUIER COMO - PANTOFAR 2 USI CU PLACA SI AGATATORI - 660 x 350 x 2000 MM**

**EN** ASSEMBLY INSTRUCTIONS - **HANGER COMO - SHOE 2 DOORS WITH PLATE AND HANGERS - 660 x 350 x 2000 MM**

**FR** ISTRUCTIONS DE MONTAGE - **CINTRE COMO - CHAUSSURE 2 PORTES AVEC PLAQUE ET CINTRES - 660 x 350 x 2000 MM**

**HU** ÖSSZESZERELÉSI ÚTMUTATÓ - **AKASZTÓ COMO - OBUVKA 2 VRATI S TABELA I ZAKACHALKI - 660 x 350 x 2000 MM**

**BG** ИНСТРУКЦИИ ЗА СГЛОБЯВАНЕ - **ЗАКАЧАЛКА СОМО - ОБУВКА 2 ВРАТИ С ТАБЕЛА И ЗАКАЧАЛКИ - 660 x 350 x 2000 MM**



**RO**

| NUMAR | LUNGIME | LATIME | BUC | CULOARE     |
|-------|---------|--------|-----|-------------|
| 1     | 393     | 330    | 1   | CULOARE     |
| 2     | 393     | 330    | 1   | CULOARE     |
| 3     | 662     | 350    | 1   | CULOARE     |
| 4     | 660     | 350    | 1   | CULOARE     |
| 5     | 628     | 330    | 1   | CULOARE     |
| 6     | 388     | 326    | 2   | CULOARE     |
| 7     | 420     | 656    | 1   | PANOU SPATE |
| 8     | 1250    | 600    | 1   | CULOARE     |
| 9     | 600     | 150    | 2   | CULOARE     |

**EN**

| NUMBER | LENGTH | WIDTH | PCS | COLOUR      |
|--------|--------|-------|-----|-------------|
| 1      | 393    | 330   | 1   | COLOUR      |
| 2      | 393    | 330   | 1   | COLOUR      |
| 3      | 662    | 350   | 1   | COLOUR      |
| 4      | 660    | 350   | 1   | COLOUR      |
| 5      | 628    | 330   | 1   | COLOUR      |
| 6      | 388    | 326   | 2   | COLOUR      |
| 7      | 420    | 656   | 1   | BACK PANNEL |
| 8      | 1250   | 600   | 1   | COLOUR      |
| 9      | 600    | 150   | 2   | COLOUR      |

**HU**

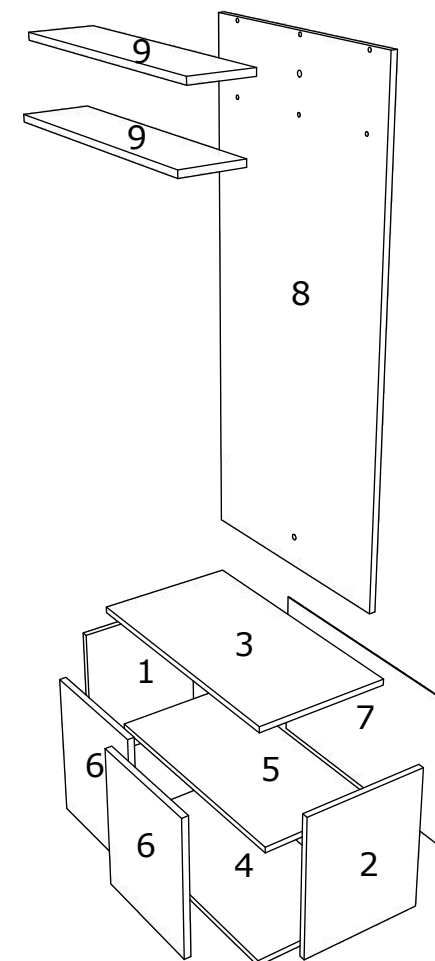
| SZÁM | HOSSZA | SZÉLES | DARAB | SZÍN          |
|------|--------|--------|-------|---------------|
| 1    | 393    | 330    | 1     | SZÍN          |
| 2    | 393    | 330    | 1     | SZÍN          |
| 3    | 662    | 350    | 1     | SZÍN          |
| 4    | 660    | 350    | 1     | SZÍN          |
| 5    | 628    | 330    | 1     | SZÍN          |
| 6    | 388    | 326    | 2     | SZÍN          |
| 7    | 420    | 656    | 1     | HÁTULSÓ PANEL |
| 8    | 1250   | 600    | 1     | SZÍN          |
| 9    | 600    | 150    | 2     | SZÍN          |

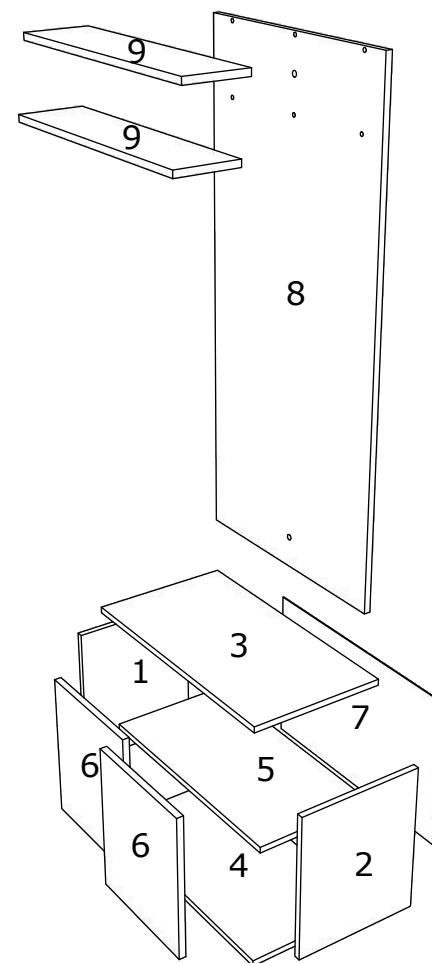
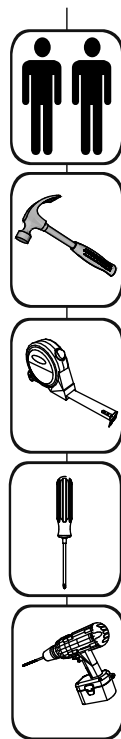
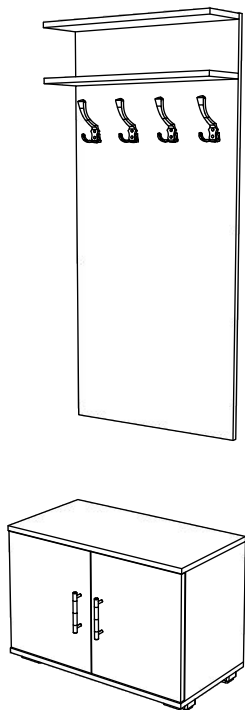
**BG**

| Номер | Дължина | Ширина | Парчета | Цвят        |
|-------|---------|--------|---------|-------------|
| 1     | 393     | 330    | 1       | Цвят        |
| 2     | 393     | 330    | 1       | Цвят        |
| 3     | 662     | 350    | 1       | Цвят        |
| 4     | 660     | 350    | 1       | Цвят        |
| 5     | 628     | 330    | 1       | Цвят        |
| 6     | 388     | 326    | 2       | Цвят        |
| 7     | 420     | 656    | 1       | Заден панел |
| 8     | 1250    | 600    | 1       | Цвят        |
| 9     | 600     | 150    | 2       | Цвят        |

**FR**

| NOMBRE | LONGUEUR | LARGEUR | PIÈCES | COULEUR         |
|--------|----------|---------|--------|-----------------|
| 1      | 393      | 330     | 1      | COULEUR         |
| 2      | 393      | 330     | 1      | COULEUR         |
| 3      | 662      | 350     | 1      | COULEUR         |
| 4      | 660      | 350     | 1      | COULEUR         |
| 5      | 628      | 330     | 1      | COULEUR         |
| 6      | 388      | 326     | 2      | COULEUR         |
| 7      | 420      | 656     | 1      | PANNEAU ARRIÈRE |
| 8      | 1250     | 600     | 1      | COULEUR         |
| 9      | 600      | 150     | 2      | COULEUR         |

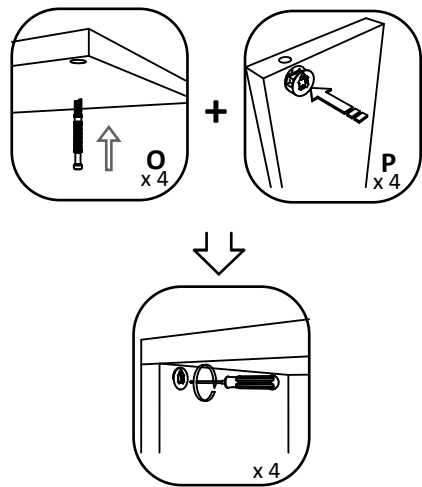
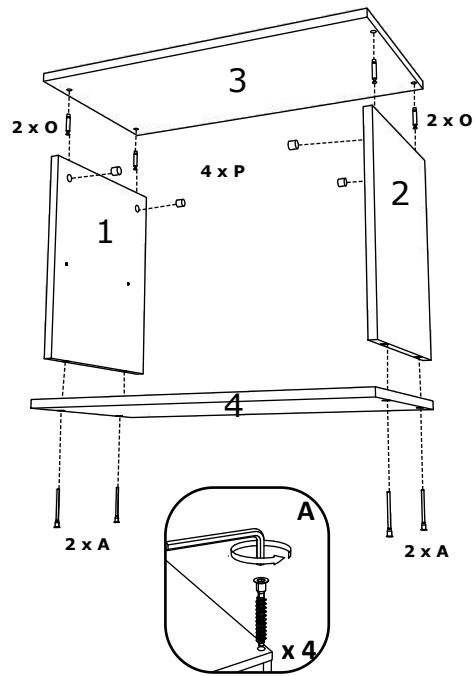




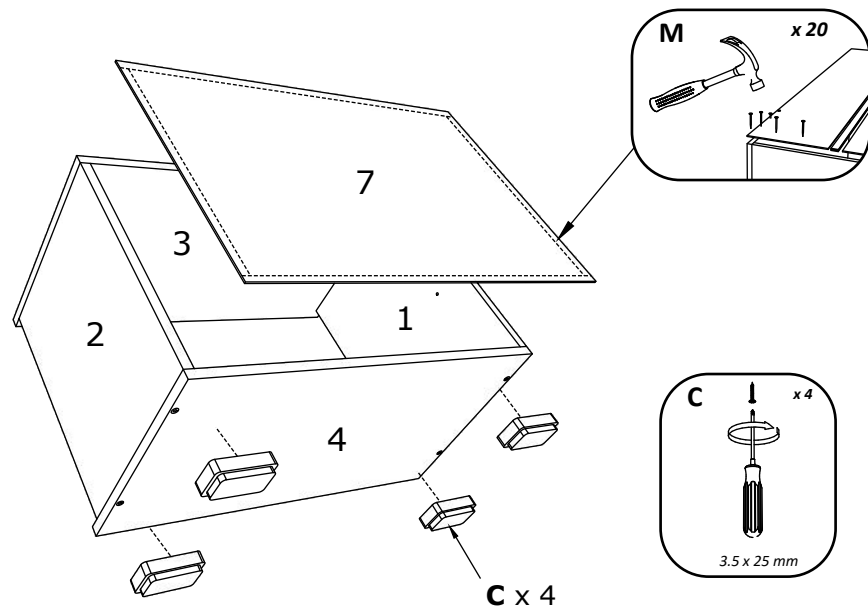
|                                |                                     |                              |                                    |                               |                                  |
|--------------------------------|-------------------------------------|------------------------------|------------------------------------|-------------------------------|----------------------------------|
| <b>A</b><br>7x50mm<br><br>x 10 | <b>B</b><br>3,5 x 20 mm<br><br>x 8  | <b>C</b><br>25 mm<br><br>x 4 | <b>D</b><br>3,5 x 25 mm<br><br>x 8 | <b>E</b><br>160 mm<br><br>x 2 | <b>F</b><br>M4 x 20mm<br><br>x 4 |
| <b>G</b><br><br>x 4            | <b>H</b><br>3,5 x 16 mm<br><br>x 16 | <b>I</b><br><br>x 1          | <b>J</b><br><br>x 4                | <b>K</b><br><br>x 2           | <b>L</b><br>6 x 80 mm<br><br>x 2 |
| <b>M</b><br><br>x 20           | <b>N</b><br><br>x 4                 | <b>O</b><br><br>4 x          | <b>P</b><br><br>4 x                | <b>R</b><br><br>x 4           |                                  |

**EN**

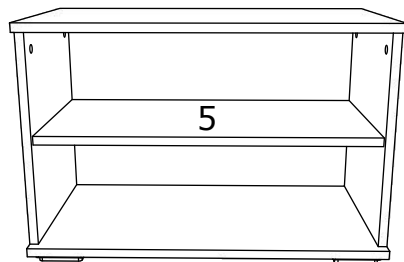
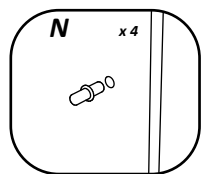
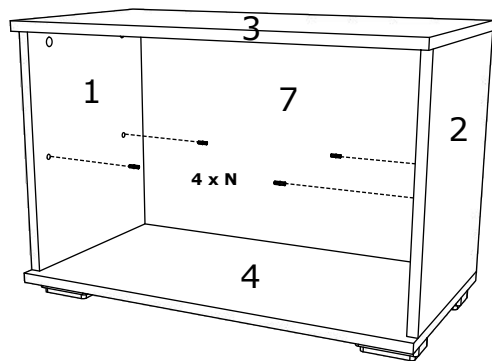
| NUMBER | LENGTH | WIDTH | PCS | COLOUR      |
|--------|--------|-------|-----|-------------|
| 1      | 393    | 330   | 1   | COLOUR      |
| 2      | 393    | 330   | 1   | COLOUR      |
| 3      | 662    | 350   | 1   | COLOUR      |
| 4      | 660    | 350   | 1   | COLOUR      |
| 5      | 628    | 330   | 1   | COLOUR      |
| 6      | 388    | 326   | 2   | COLOUR      |
| 7      | 420    | 656   | 1   | BACK PANNEL |
| 8      | 1250   | 600   | 1   | COLOUR      |
| 9      | 600    | 150   | 2   | COLOUR      |



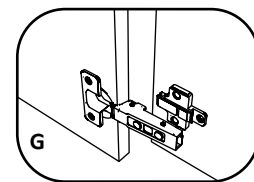
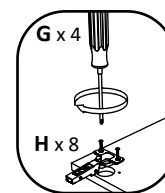
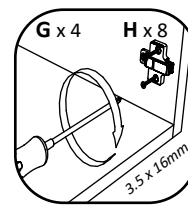
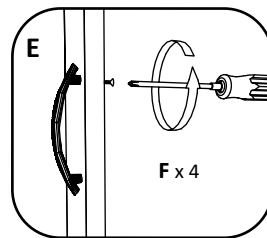
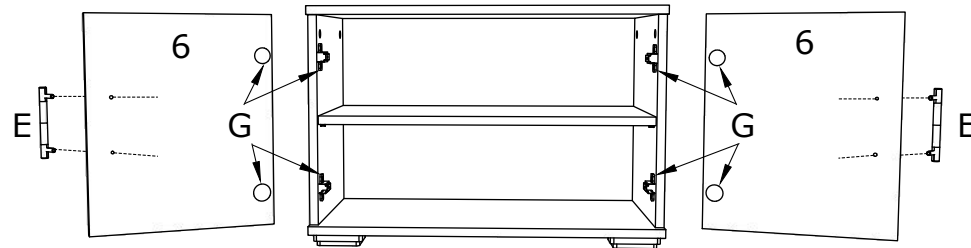
1



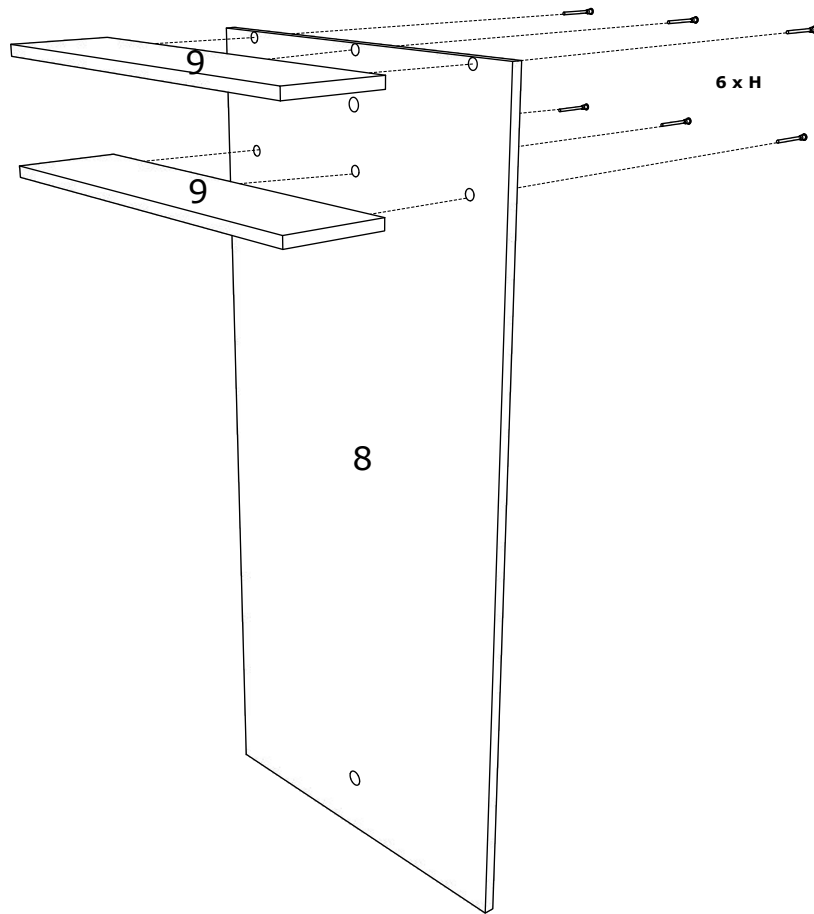
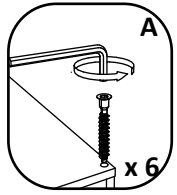
2



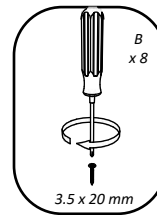
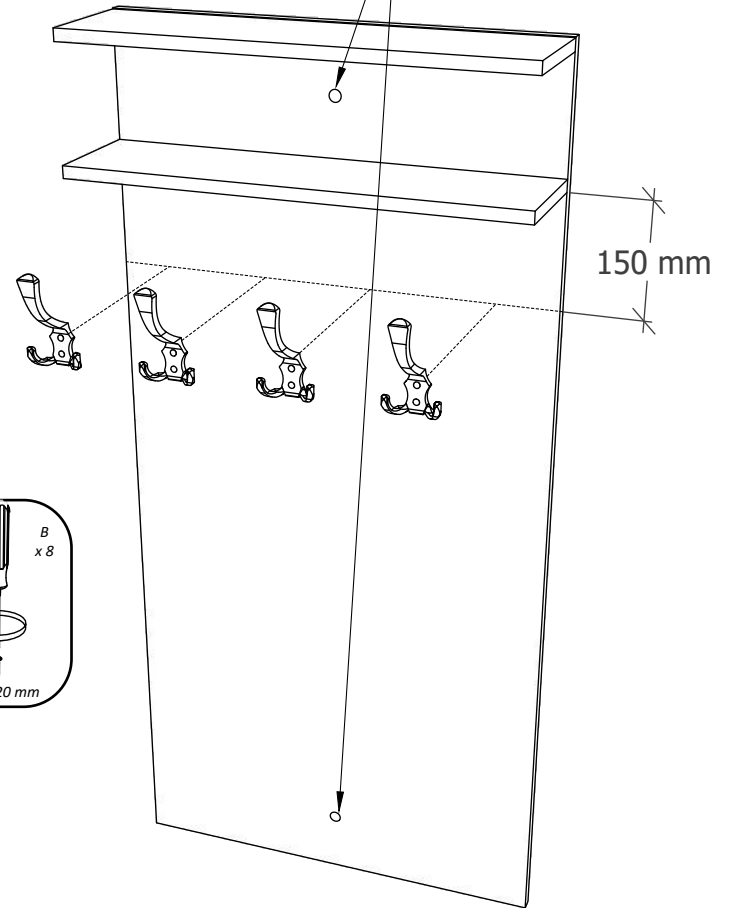
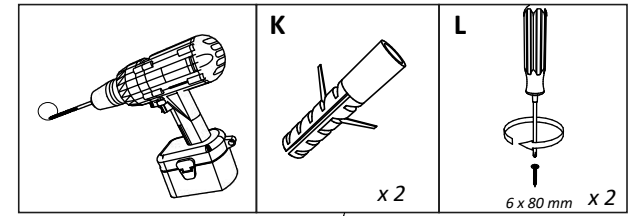
3



4



5



6

**RO** INSTRUCȚIUNI DE ASAMBLARE - **CUIER COMO - PANTOFAR 2 USI CU PLACA OGLINDA - 660 x 350 x 2000 MM**

**EN** ASSEMBLY INSTRUCTIONS - **HANGER COMO - SHOE 2 DOORS WITH MIRROR - 660 x 350 x 2000 MM**

**FR** ISTRUCTIONS DE MONTAGE - **CINTRE COMO - CHAUSSURES 2 PORTES AVEC MIROIR - 660 x 350 x 2000 MM**

**HU** ÖSSZESZERELÉSI ÚTMUTATÓ - **AKASZTÓ COMO - 2 AJTÓCIPŐ TÜKRÖS - 660 x 350 x 2000 MM**

**BG** ИНСТРУКЦИИ ЗА СГЛОБЯВАНЕ - **ЗАКАЧАЛКА СОМО - ОБУВКИ 2 ВРАТИ С ОГЛЕДАЛО - 660 x 350 x 2000 MM**

**RO**

| NUMAR | LUNGIME | LATIME | BUC | CULOARE     |
|-------|---------|--------|-----|-------------|
| 1     | 393     | 330    | 1   | CULOARE     |
| 2     | 393     | 330    | 1   | CULOARE     |
| 3     | 662     | 350    | 1   | CULOARE     |
| 4     | 660     | 350    | 1   | CULOARE     |
| 5     | 628     | 330    | 1   | CULOARE     |
| 6     | 388     | 326    | 2   | CULOARE     |
| 7     | 420     | 656    | 1   | PANOU SPATE |
| 8     | 1250    | 600    | 1   | CULOARE     |
| 9     | 600     | 150    | 1   | CULOARE     |
| 10    | 1130    | 500    | 1   | OGLINDA     |

**HU**

| SZÁM | HOSSZA | SZÉLES | DARAB | SZÍN          |
|------|--------|--------|-------|---------------|
| 1    | 393    | 330    | 1     | SZÍN          |
| 2    | 393    | 330    | 1     | SZÍN          |
| 3    | 662    | 350    | 1     | SZÍN          |
| 4    | 660    | 350    | 1     | SZÍN          |
| 5    | 628    | 330    | 1     | SZÍN          |
| 6    | 388    | 326    | 2     | SZÍN          |
| 7    | 420    | 656    | 1     | HÁTULSÓ PANEL |
| 8    | 1250   | 600    | 1     | SZÍN          |
| 9    | 600    | 150    | 2     | SZÍN          |
| 10   | 1130   | 500    | 1     | TÜKÖR         |

**FR**

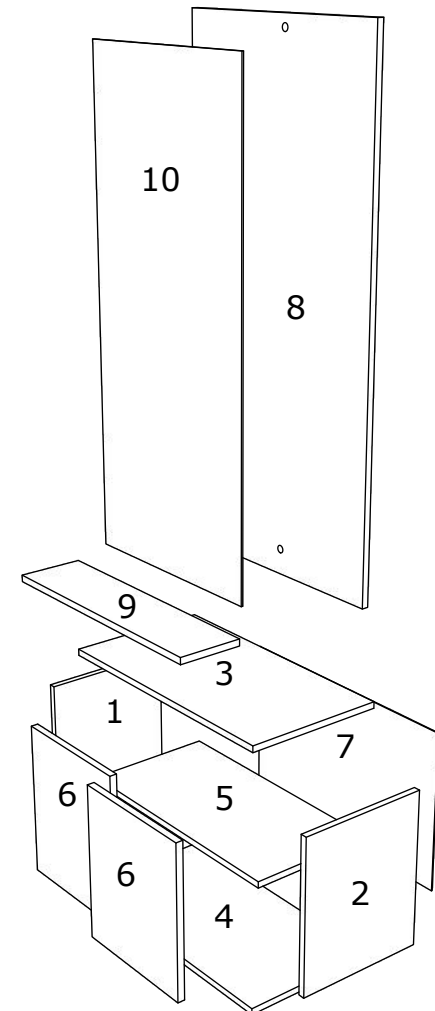
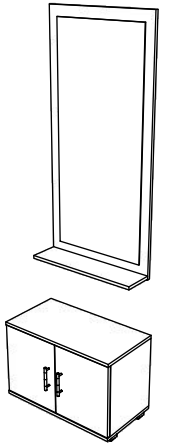
| NOMBRE | LONGUEUR | LARGEUR | PIÈCES | COULEUR         |
|--------|----------|---------|--------|-----------------|
| 1      | 393      | 330     | 1      | COULEUR         |
| 2      | 393      | 330     | 1      | COULEUR         |
| 3      | 662      | 350     | 1      | COULEUR         |
| 4      | 660      | 350     | 1      | COULEUR         |
| 5      | 628      | 330     | 1      | COULEUR         |
| 6      | 388      | 326     | 2      | COULEUR         |
| 7      | 420      | 656     | 1      | PANNEAU ARRIÈRE |
| 8      | 1250     | 600     | 1      | COULEUR         |
| 9      | 600      | 150     | 2      | COULEUR         |
| 10     | 1130     | 500     | 1      | MIROITER        |

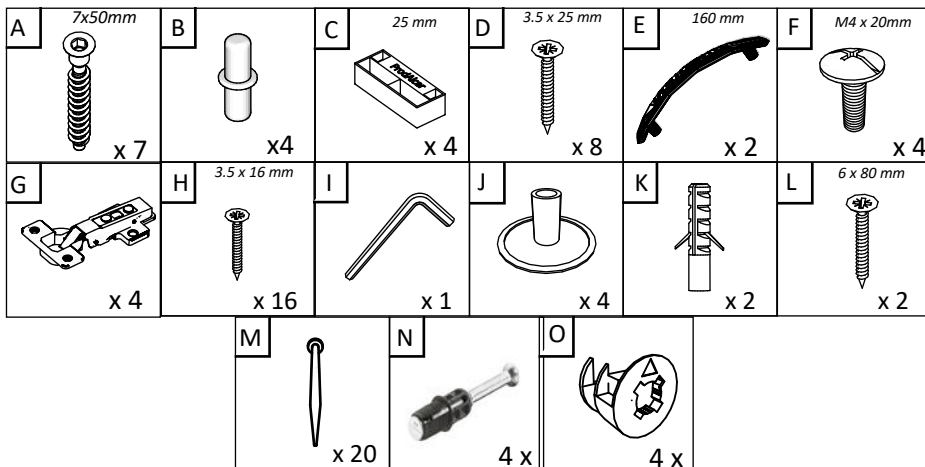
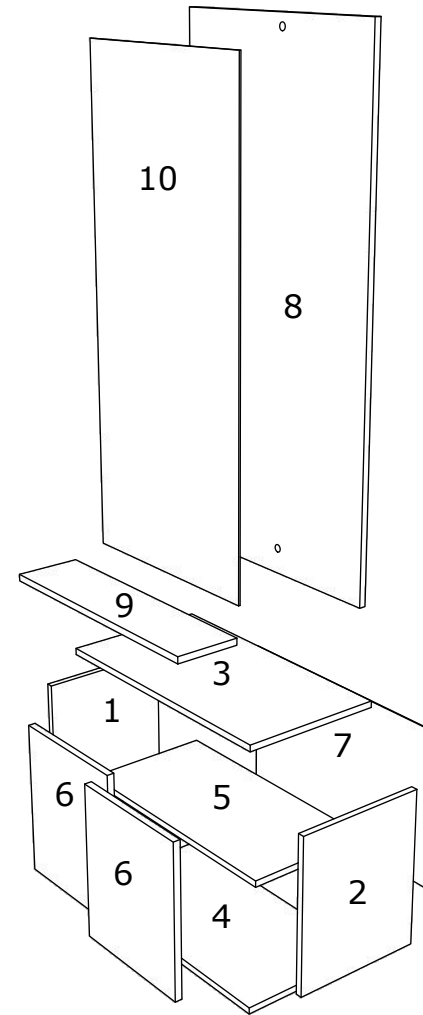
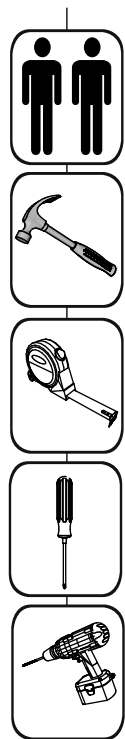
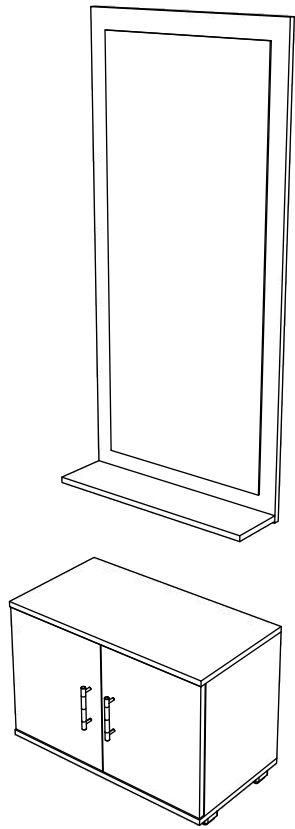
**EN**

| NUMBER | LENGTH | WIDTH | PCS | COLOUR      |
|--------|--------|-------|-----|-------------|
| 1      | 393    | 330   | 1   | COLOUR      |
| 2      | 393    | 330   | 1   | COLOUR      |
| 3      | 662    | 350   | 1   | COLOUR      |
| 4      | 660    | 350   | 1   | COLOUR      |
| 5      | 628    | 330   | 1   | COLOUR      |
| 6      | 388    | 326   | 2   | COLOUR      |
| 7      | 420    | 656   | 1   | BACK PANNEL |
| 8      | 1250   | 600   | 1   | COLOUR      |
| 9      | 600    | 150   | 1   | COLOUR      |
| 10     | 1130   | 500   | 1   | MIRROR      |

**BG**

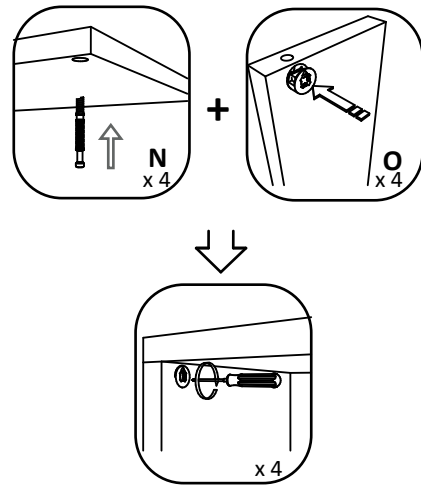
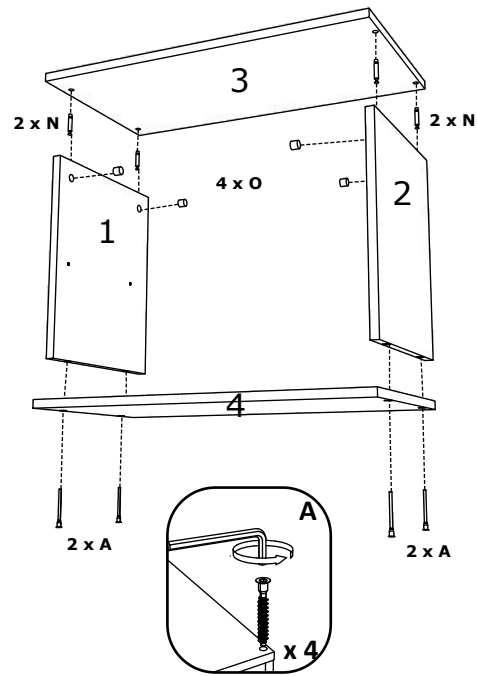
| Номер | Дължина | Ширина | Парчета | Цвят        |
|-------|---------|--------|---------|-------------|
| 1     | 393     | 330    | 1       | Цвят        |
| 2     | 393     | 330    | 1       | Цвят        |
| 3     | 662     | 350    | 1       | Цвят        |
| 4     | 660     | 350    | 1       | Цвят        |
| 5     | 628     | 330    | 1       | Цвят        |
| 6     | 388     | 326    | 2       | Цвят        |
| 7     | 420     | 656    | 1       | Заден панел |
| 8     | 1250    | 600    | 1       | Цвят        |
| 9     | 600     | 150    | 2       | Цвят        |
| 10    | 1130    | 500    | 1       | ОГЛЕДАЛО    |



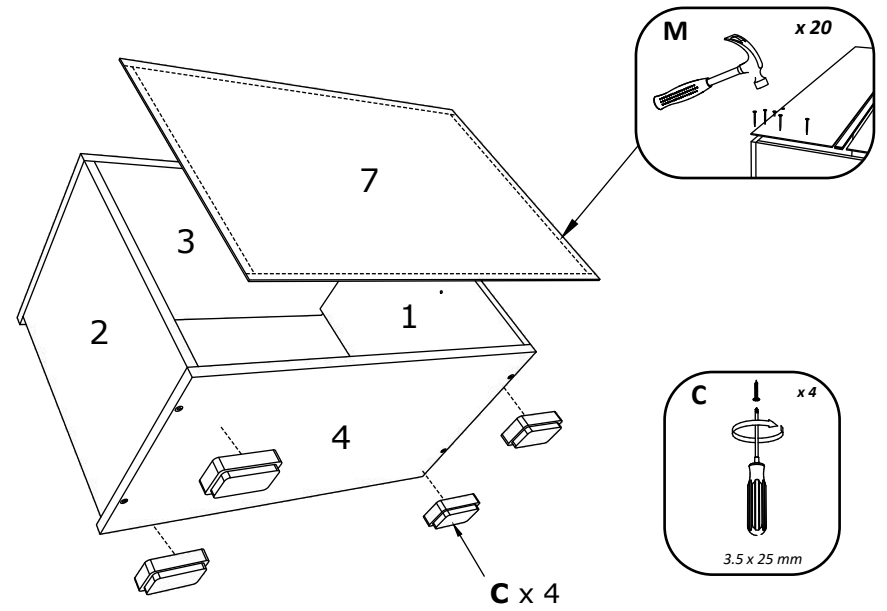


EN

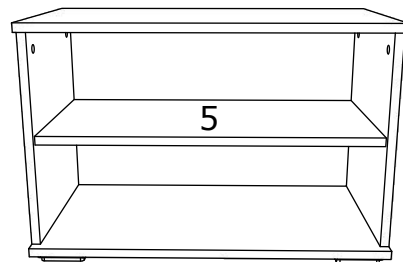
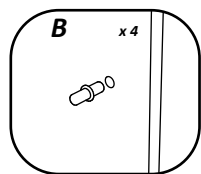
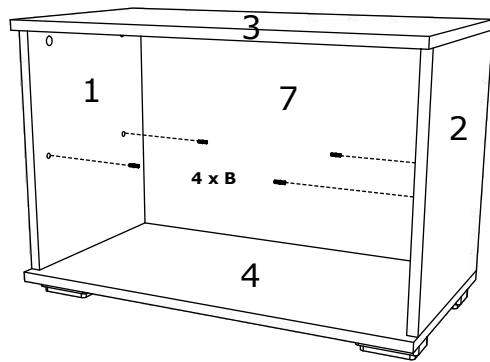
| NUMBER | LENGTH | WIDTH | PCS | COLOUR      |
|--------|--------|-------|-----|-------------|
| 1      | 393    | 330   | 1   | COLOUR      |
| 2      | 393    | 330   | 1   | COLOUR      |
| 3      | 662    | 350   | 1   | COLOUR      |
| 4      | 660    | 350   | 1   | COLOUR      |
| 5      | 628    | 330   | 1   | COLOUR      |
| 6      | 388    | 326   | 2   | COLOUR      |
| 7      | 420    | 656   | 1   | BACK PANNEL |
| 8      | 1250   | 600   | 1   | COLOUR      |
| 9      | 600    | 150   | 1   | COLOUR      |
| 10     | 1130   | 500   | 1   | MIRROR      |



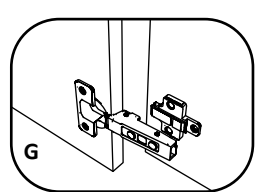
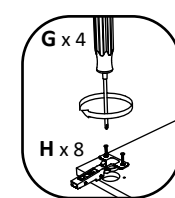
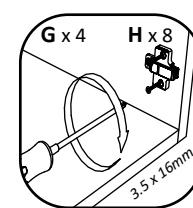
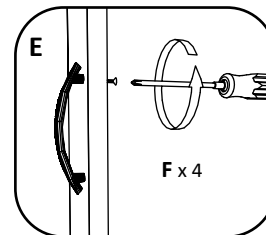
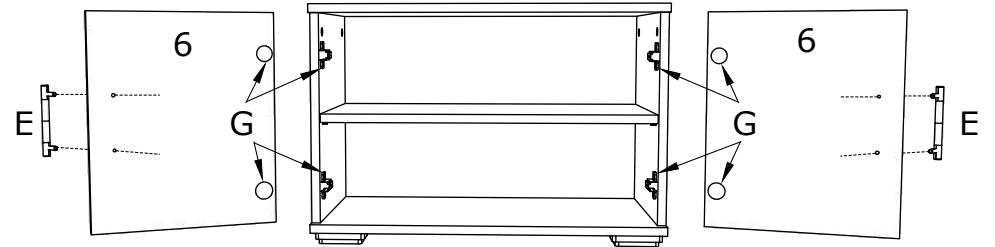
1



2

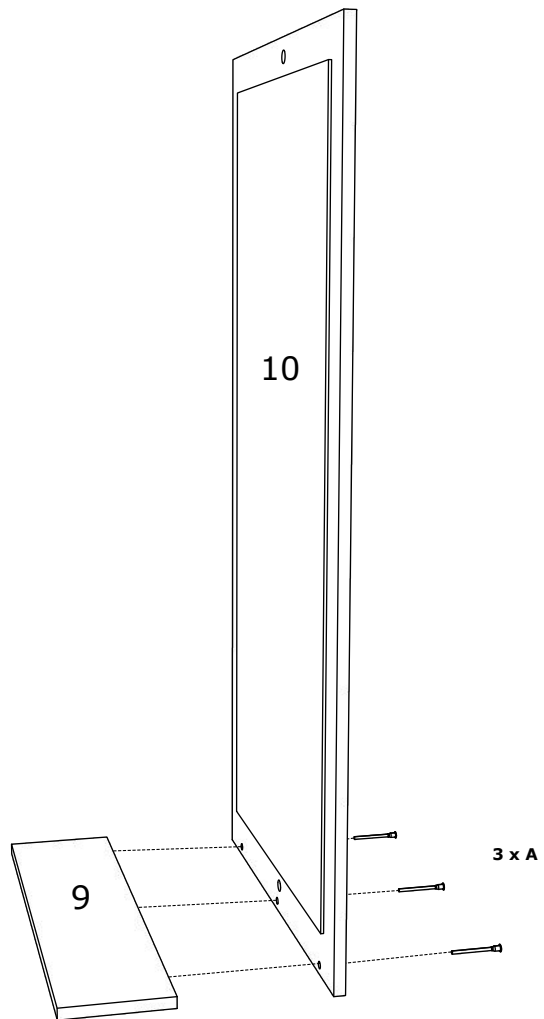
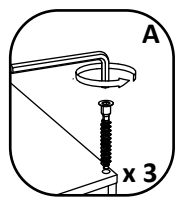


3

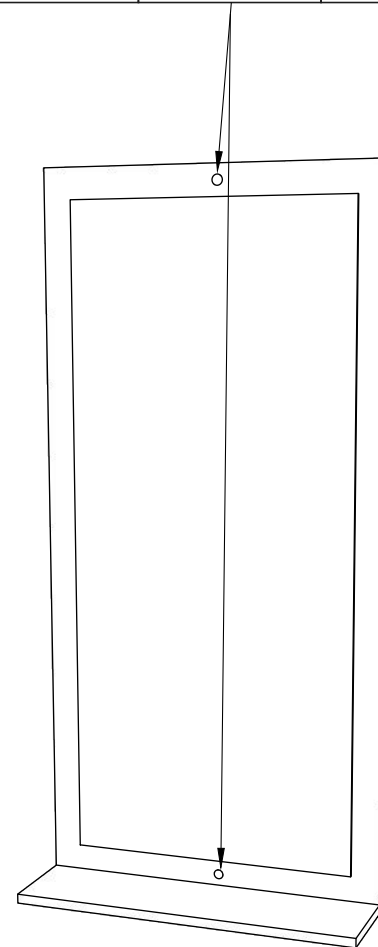
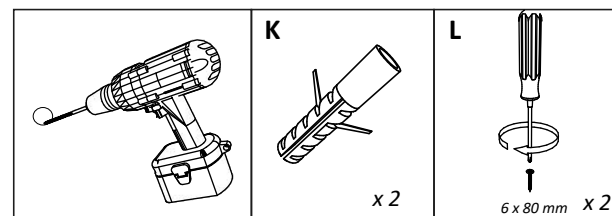


4





5



6