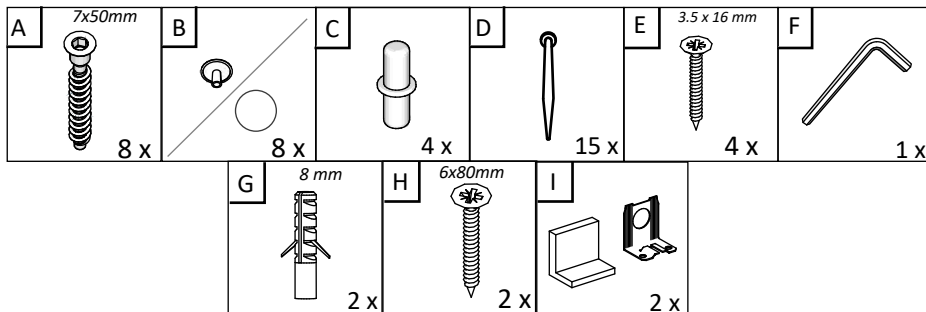
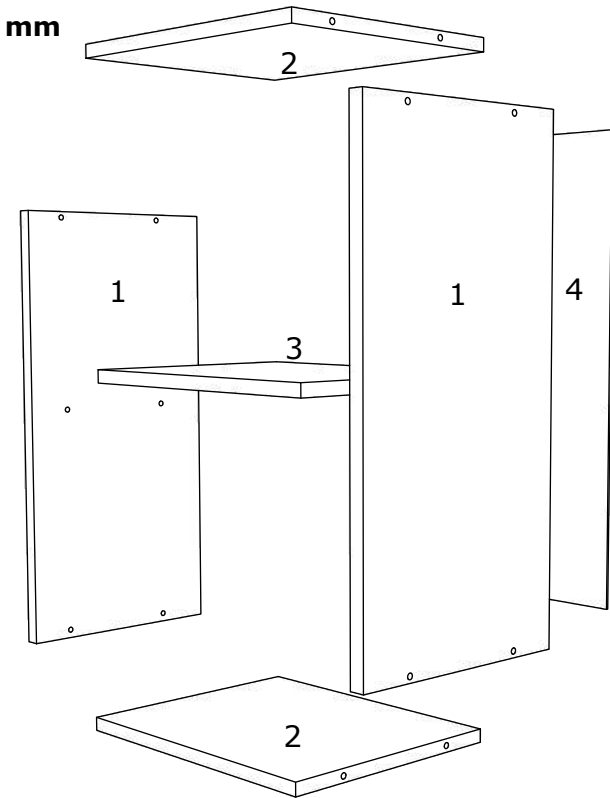
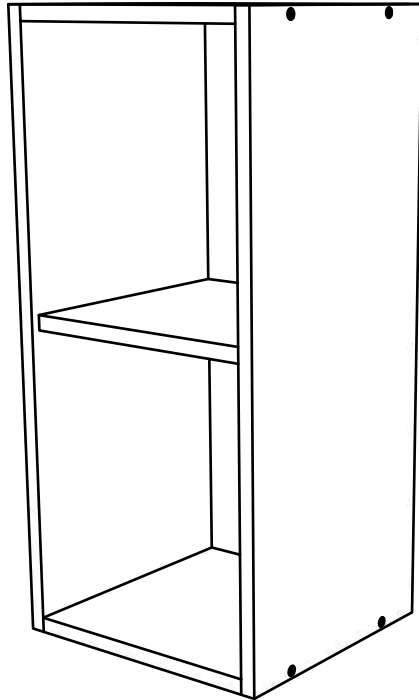
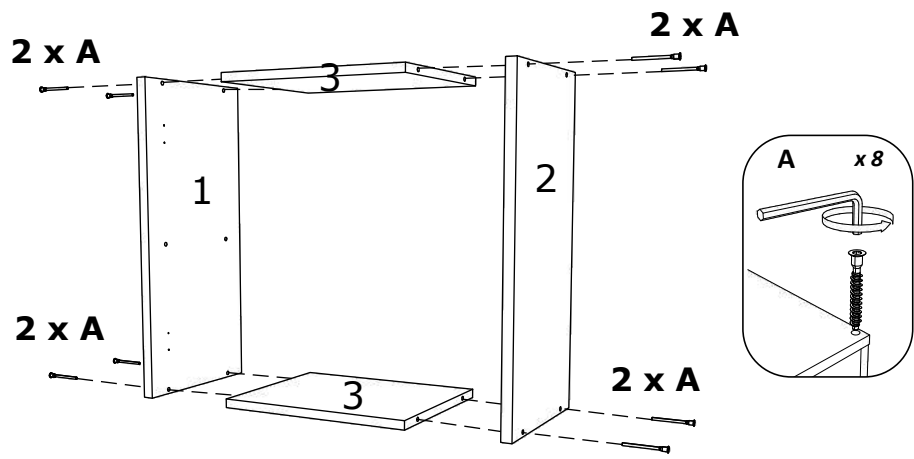


**RO** INSTRUCTIUNI DE ASAMBLARE - **CORP SUPERIOR FARA USI - 200x280x600 mm**

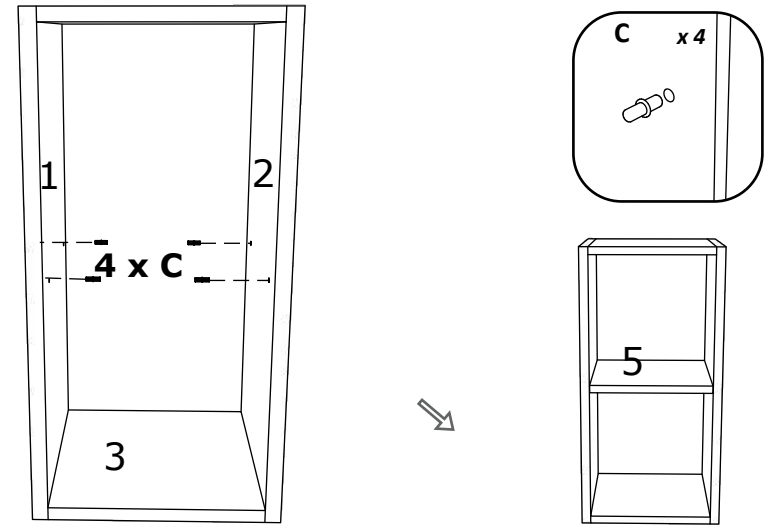
**EN** ASSEMBLY INSTRUCTIONS - **SUPERIOR CABINET WITHOUT DOOR - 200x280x600 mm**



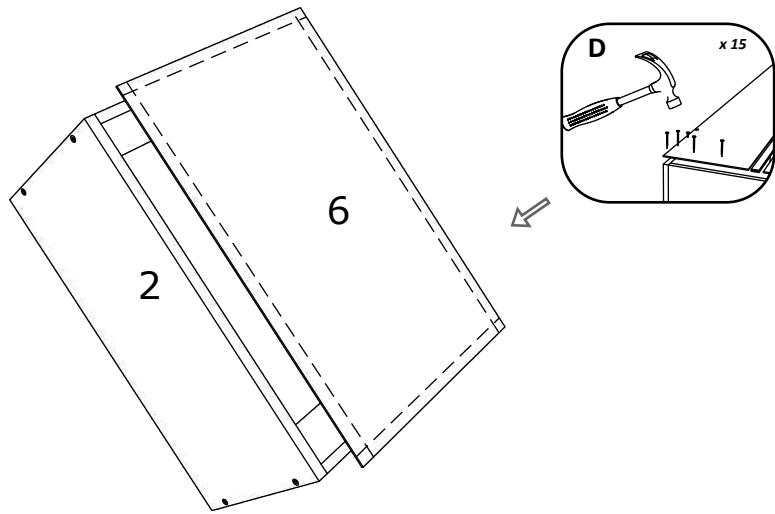
No	B	b	x
<b>1</b>	600	280	2
<b>2</b>	168	280	2
<b>3</b>	168	270	1
<b>4</b>	596	196	1



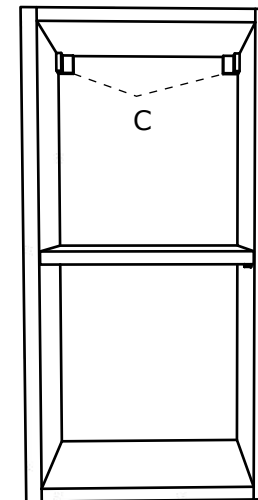
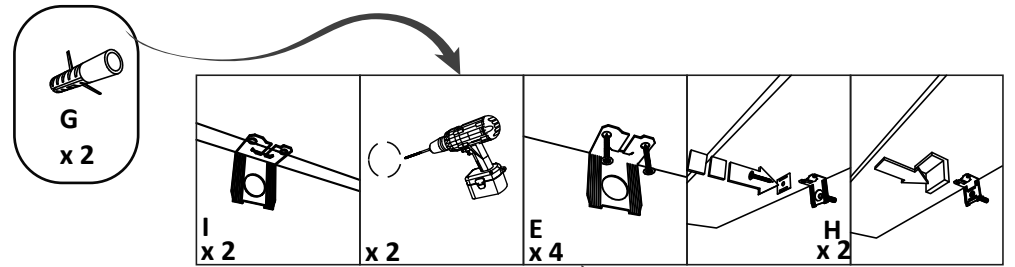
1



3



2



4