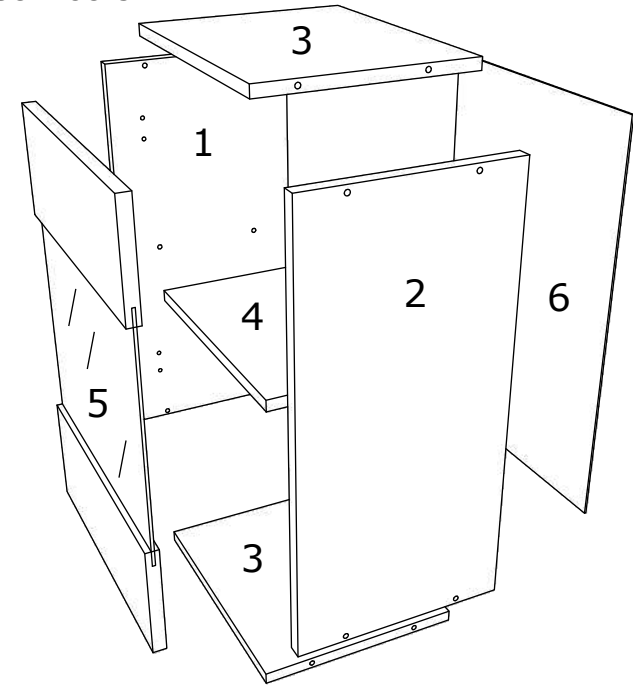
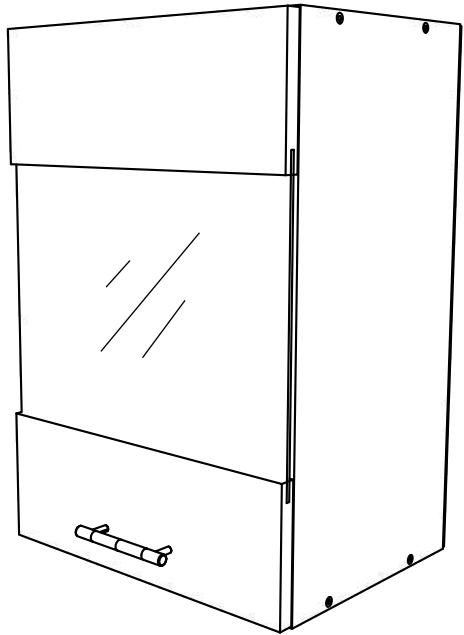


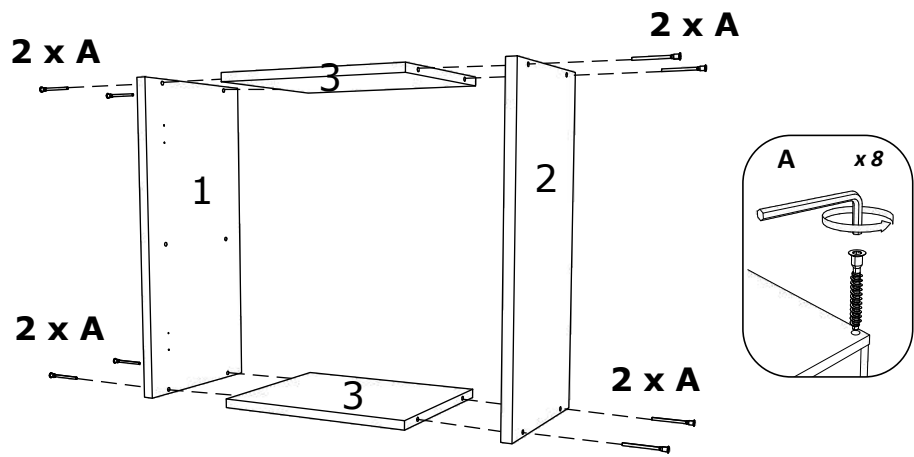
RO INSTRUCTIUNI DE ASAMBLARE - **CORP SUPERIOR 1 USA STICLA - 40 x 30 x 60 CM**

EN ASSEMBLY INSTRUCTIONS - **SUPERIOR CABINETT 1DOOR WITH GLASS - 40 x 30 x 60 CM**

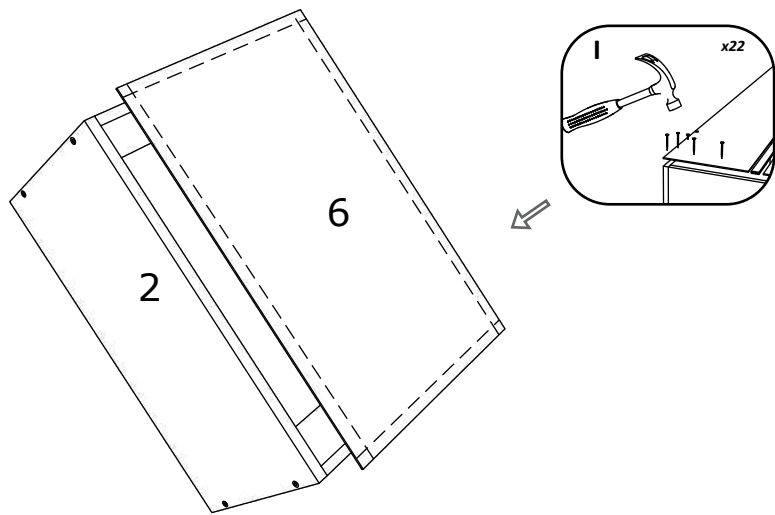


A 7x50mm 8 x	B 8 x	C 96 mm 1 x	D M4 x 22 mm 2 x	E 3.5 x 16 mm 12 x	F 1 x
G 2 x	H 4 x	I 22 x	J 8 mm 2 x	K 6x80mm 2 x	L 2 x

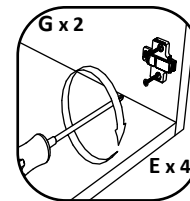
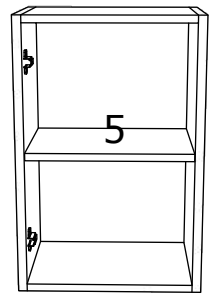
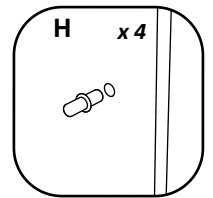
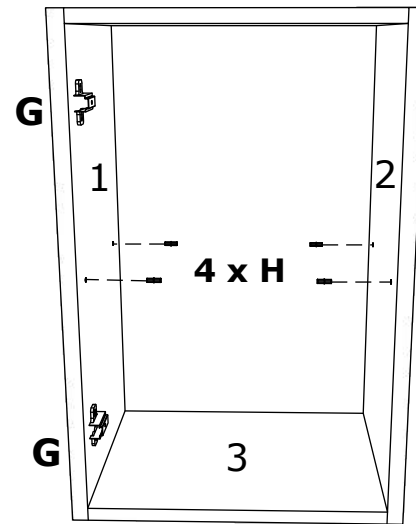
No	B	b	x
1	600	280	1
2	600	280	1
3	368	280	2
4	368	270	1
5	596	396	1
6	596	396	1



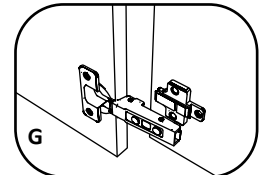
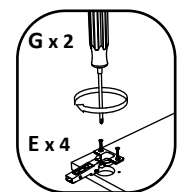
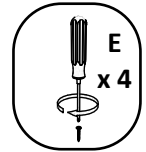
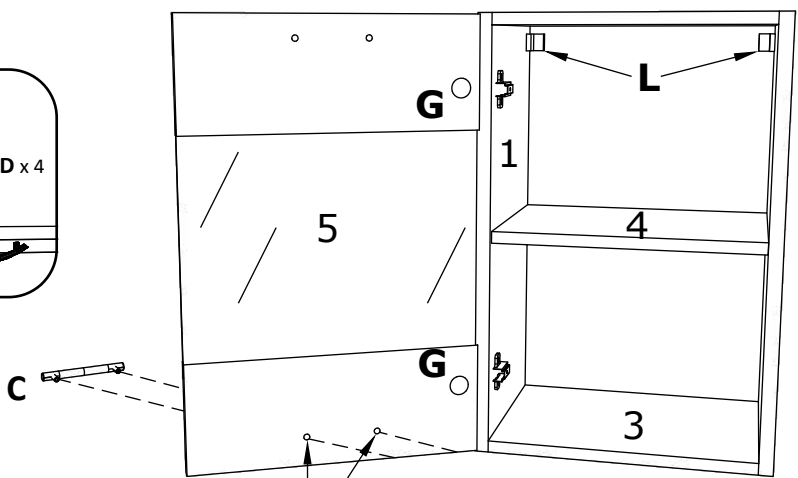
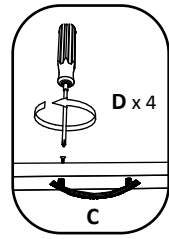
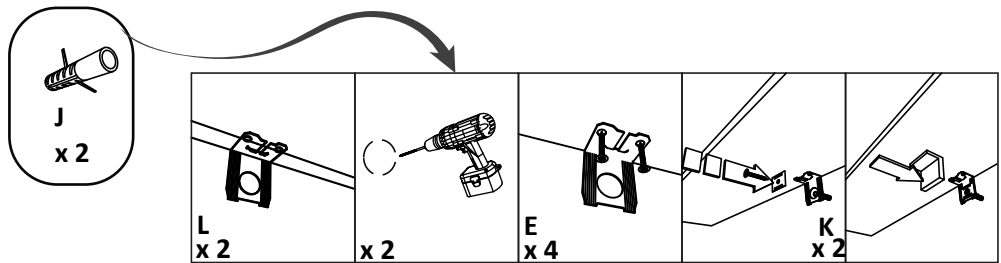
1



2



3



OR

