

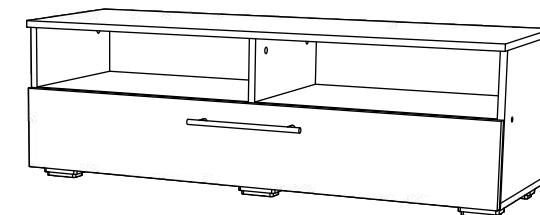
**RO** INSTRUCȚIUNI DE ASAMBLARE - **LIVING KOS - COMODA 1 USA SI 2 POLITE- 950 x 400 x 393 MM**

**EN** ASSEMBLY INSTRUCTIONS - **LIVING KOS - CABINET 1 DOOR WITH PLACE - 950 x 400 x 393 MM**

**FR** ISTRUCTIONS DE MONTAGE - **VIVRE KOS - ARMOIRE 1 PORTE AVEC PLACE- 950 x 400 x 393 MM**

**HU** ÖSSZESZERELÉSI ÚTMUTATÓ - **ÉLŐ KOS - SZEKRÉNY 1 AJTÓ HELYEL- 950 x 400 x 393 MM**

**BG** ИНСТРУКЦИИ ЗА СГЛОБЯВАНЕ - **ЖИВА КОС - ШКАФ 1 ВРАТА С МЯСТО- 950 x 400 x 393 MM**



**RO**

| NUMAR | LUNGIME | LATIME | BUC | CULOARE     |
|-------|---------|--------|-----|-------------|
| 1     | 336     | 380    | 1   | CULOARE     |
| 2     | 336     | 380    | 1   | CULOARE     |
| 3     | 336     | 380    | 1   | CULOARE     |
| 4     | 952     | 400    | 1   | CULOARE     |
| 5     | 950     | 380    | 1   | CULOARE     |
| 6     | 946     | 198    | 1   | CULOARE     |
| 7     | 946     | 364    | 1   | PANOU SPATE |
| 8     | 451     | 380    | 1   | CULOARE     |
| 9     | 451     | 380    | 1   | CULOARE     |

**EN**

| NUMBER | LENGTH | WIDTH | PCS | COLOUR      |
|--------|--------|-------|-----|-------------|
| 1      | 336    | 380   | 1   | COLOUR      |
| 2      | 336    | 380   | 1   | COLOUR      |
| 3      | 336    | 380   | 1   | COLOUR      |
| 4      | 952    | 400   | 1   | COLOUR      |
| 5      | 950    | 380   | 1   | COLOUR      |
| 6      | 946    | 198   | 1   | COLOUR      |
| 7      | 946    | 364   | 1   | BACK PANNEL |
| 8      | 451    | 380   | 1   | COLOUR      |
| 9      | 451    | 380   | 1   | COLOUR      |

**HU**

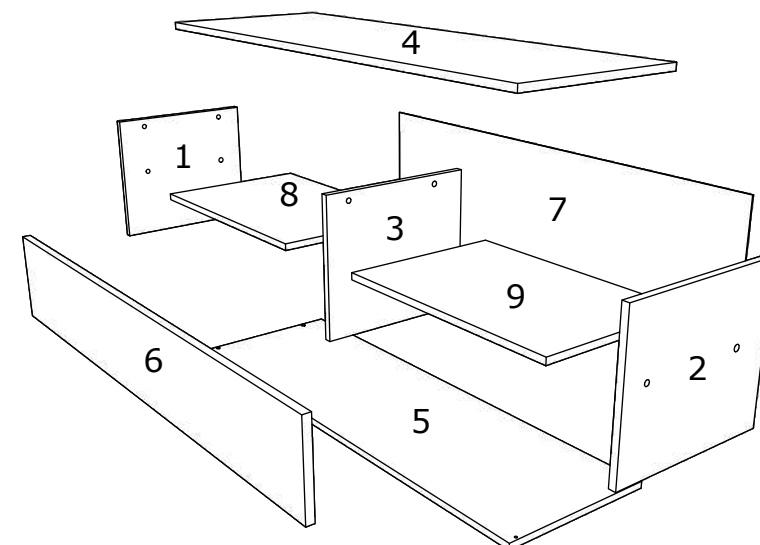
| SZÁM | HOSSZA | SZÉLES | DARAB | SZÍN          |
|------|--------|--------|-------|---------------|
| 1    | 336    | 380    | 1     | SZÍN          |
| 2    | 336    | 380    | 1     | SZÍN          |
| 3    | 336    | 380    | 1     | SZÍN          |
| 4    | 952    | 400    | 1     | SZÍN          |
| 5    | 950    | 380    | 1     | SZÍN          |
| 6    | 946    | 198    | 1     | SZÍN          |
| 7    | 946    | 364    | 1     | HÁTULSÓ PANEL |
| 8    | 451    | 380    | 1     | SZÍN          |
| 9    | 451    | 380    | 1     | SZÍN          |

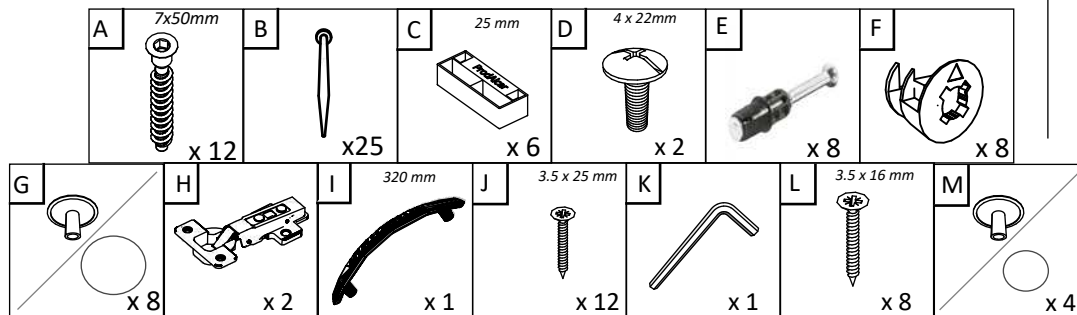
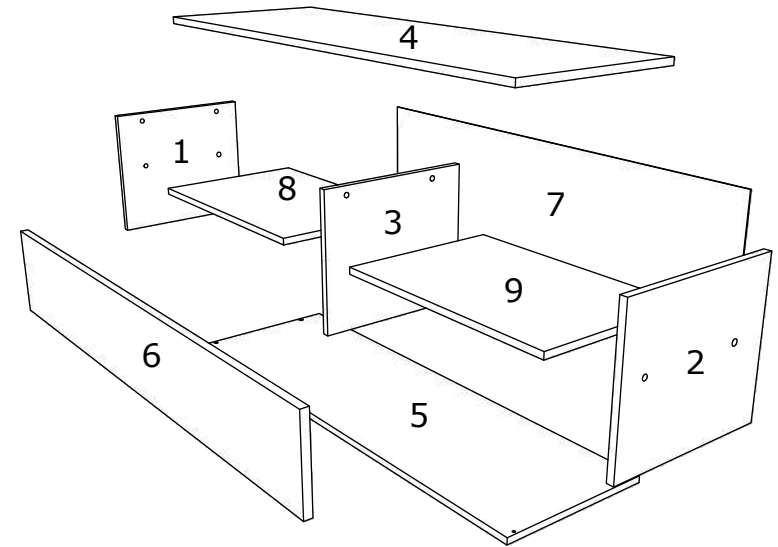
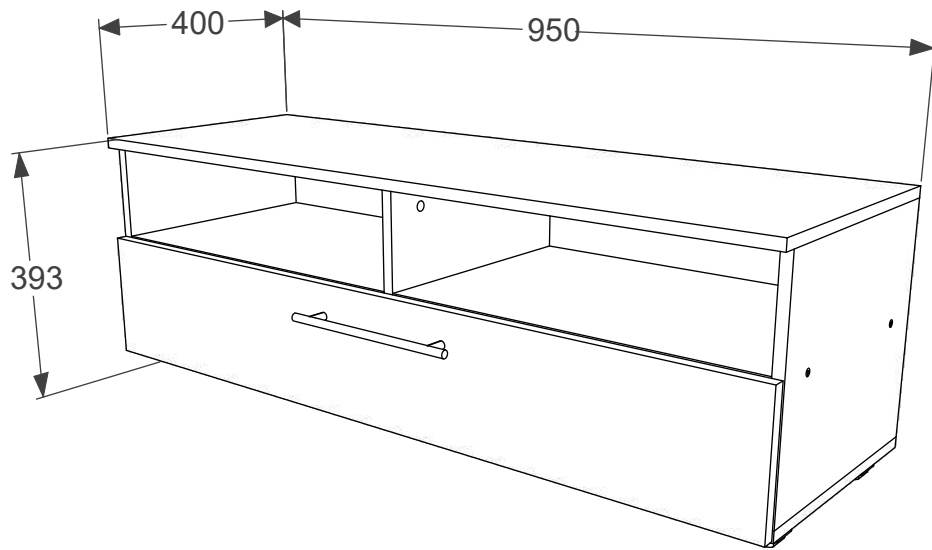
**BG**

| Номер | Дължина | Ширина | Парчета | Цвят        |
|-------|---------|--------|---------|-------------|
| 1     | 336     | 380    | 1       | Цвят        |
| 2     | 336     | 380    | 1       | Цвят        |
| 3     | 336     | 380    | 1       | Цвят        |
| 4     | 952     | 400    | 1       | Цвят        |
| 5     | 950     | 380    | 1       | Цвят        |
| 6     | 946     | 198    | 1       | Цвят        |
| 7     | 946     | 364    | 1       | Заден панел |
| 8     | 451     | 380    | 1       | Цвят        |
| 9     | 451     | 380    | 1       | Цвят        |

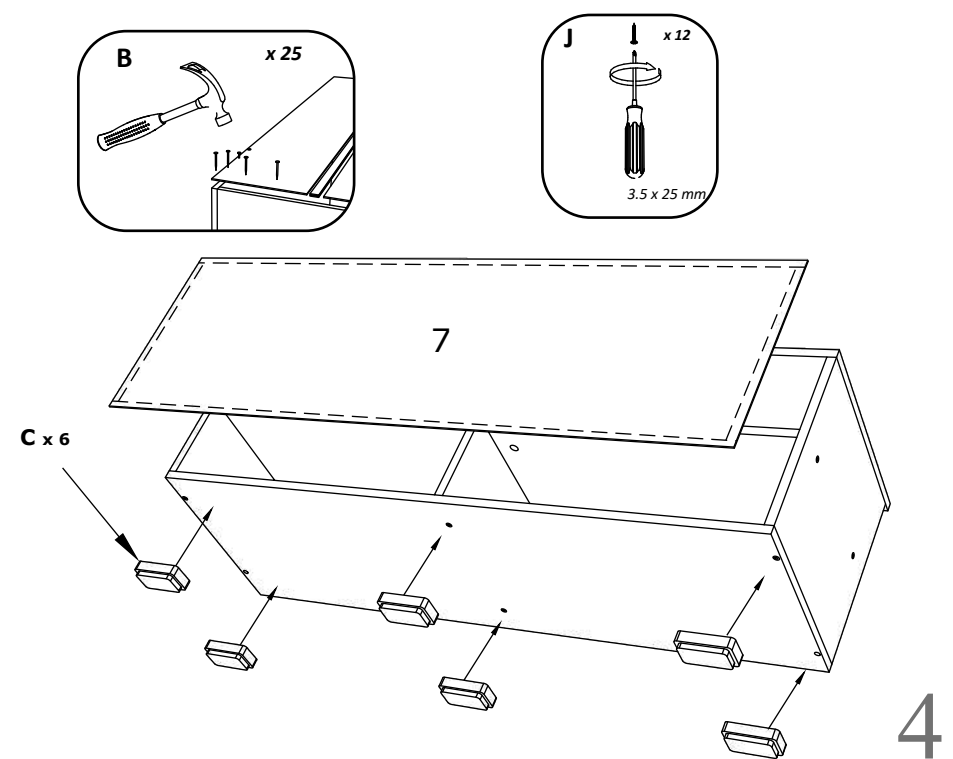
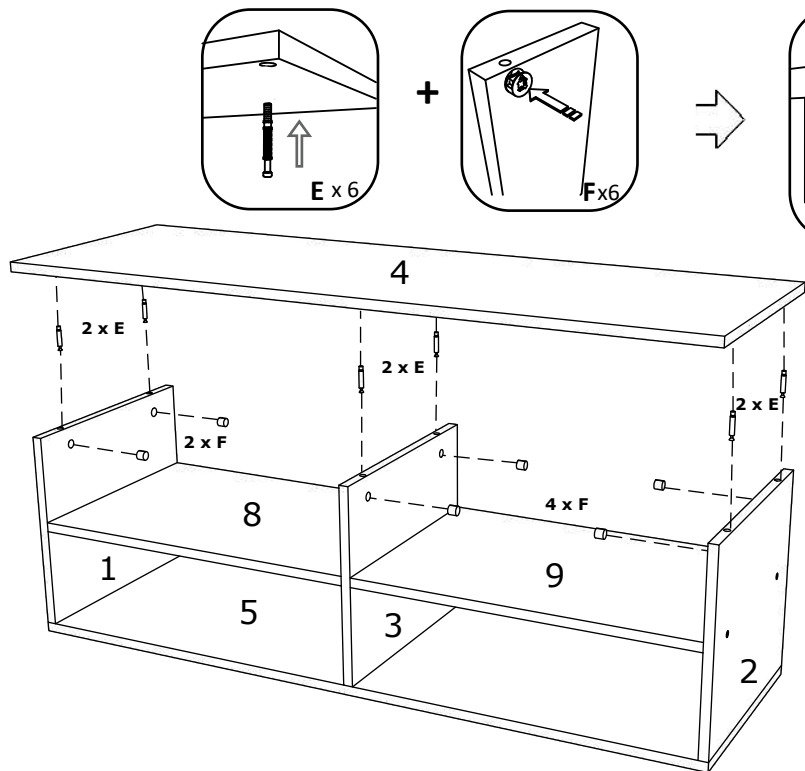
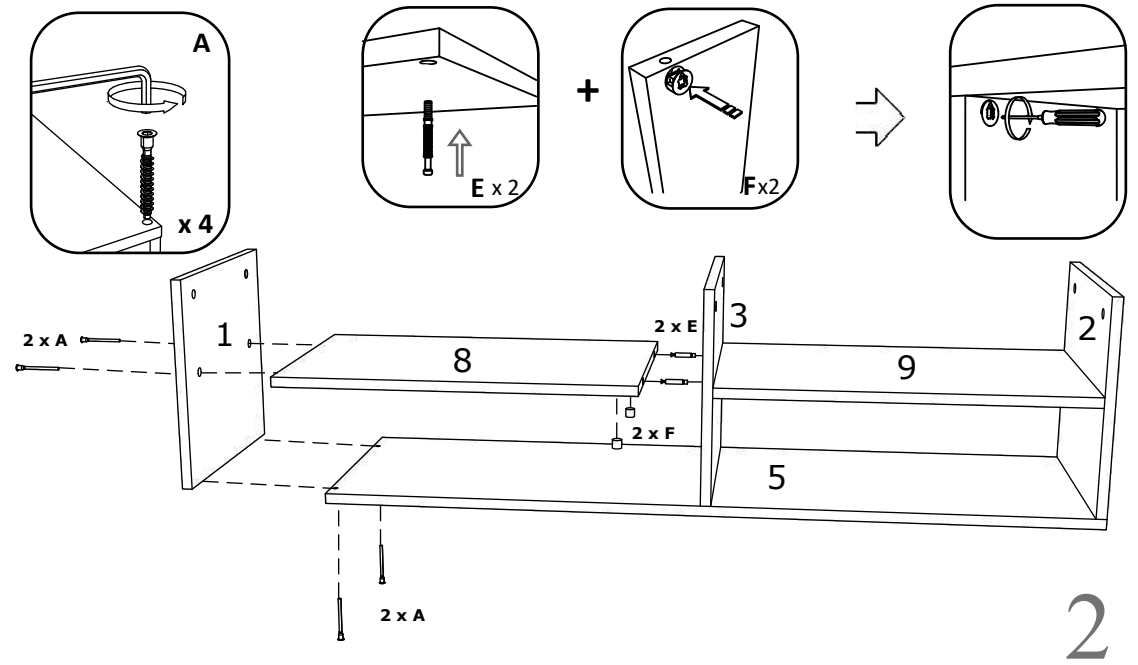
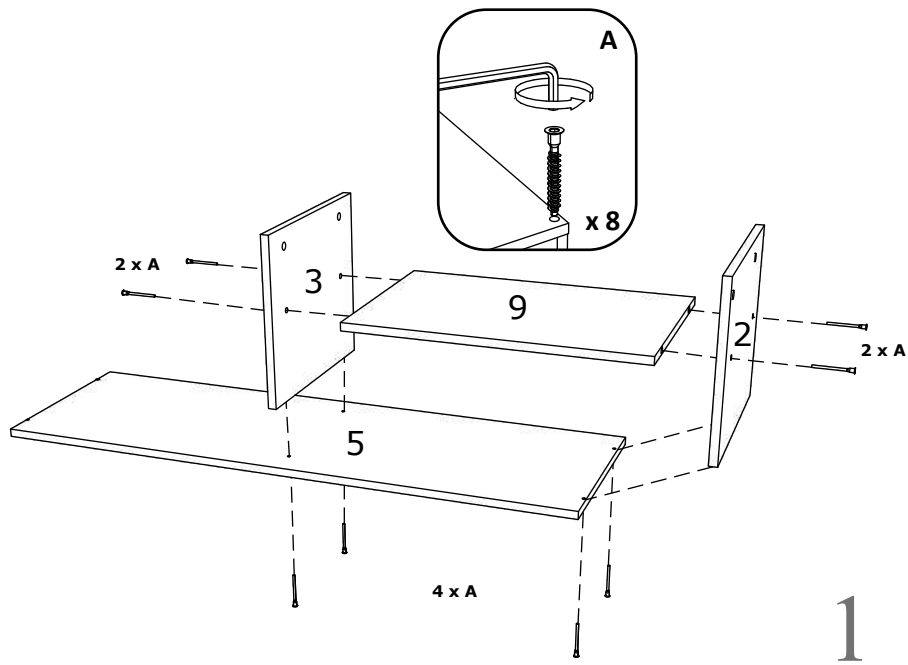
**FR**

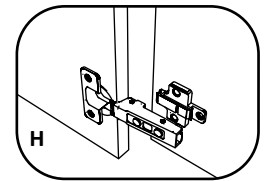
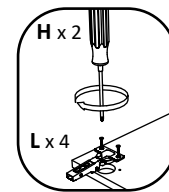
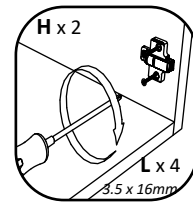
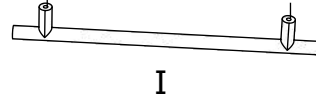
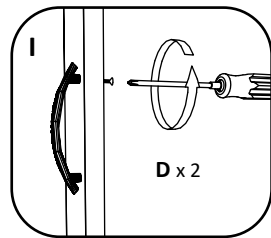
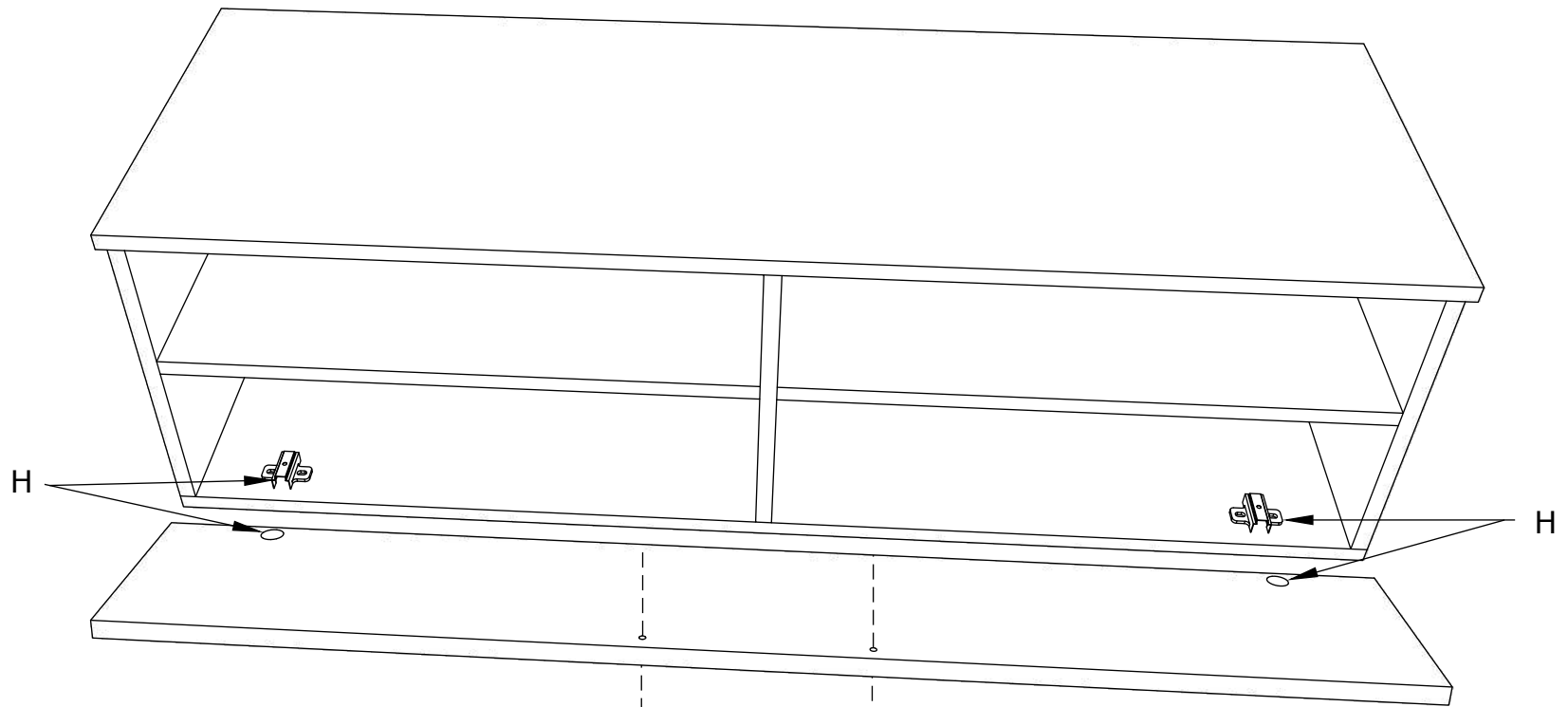
| NOMBRE | LONGUEUR | LARGEUR | PIÈCES | COULEUR         |
|--------|----------|---------|--------|-----------------|
| 1      | 336      | 380     | 1      | COULEUR         |
| 2      | 336      | 380     | 1      | COULEUR         |
| 3      | 336      | 380     | 1      | COULEUR         |
| 4      | 952      | 400     | 1      | COULEUR         |
| 5      | 950      | 380     | 1      | COULEUR         |
| 6      | 946      | 198     | 1      | COULEUR         |
| 7      | 946      | 364     | 1      | PANNEAU ARRIÈRE |
| 8      | 451      | 380     | 1      | COULEUR         |
| 9      | 451      | 380     | 1      | COULEUR         |





| No | B   | b   | x |
|----|-----|-----|---|
| 1  | 336 | 380 | 1 |
| 2  | 336 | 380 | 1 |
| 3  | 336 | 380 | 1 |
| 4  | 952 | 400 | 1 |
| 5  | 950 | 380 | 1 |
| 6  | 946 | 198 | 1 |
| 7  | 946 | 364 | 1 |
| 8  | 451 | 380 | 1 |
| 9  | 451 | 380 | 1 |





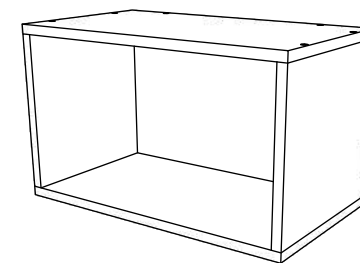
**RO** INSTRUCȚIUNI DE ASAMBLARE - **LIVING KOS - RAFT - 500 x 300 x 280 MM**

**EN** ASSEMBLY INSTRUCTIONS - **LIVING KOS - SHELF - 500 x 300 x 280 MM**

**FR** ISTRUCTIONS DE MONTAGE - **VIVRE KOS - ÉTAGÈRE - 500 x 300 x 280 MM**

**HU** ÖSSZESZERELÉSI ÚTMUTATÓ - **ÉLŐ KOS - POLC - 500 x 300 x 280 MM**

**BG** ИНСТРУКЦИИ ЗА СГЛОБЯВАНЕ - **ЖИВА КОС - РАФИК - 500 x 300 x 280 MM**



**RO**

| NUMAR | LUNGIME | LATIME | BUC | CULOARE |
|-------|---------|--------|-----|---------|
| 1     | 268     | 280    | 2   | CULOARE |
| 2     | 500     | 280    | 2   | CULOARE |
| 3     | 468     | 268    | 1   | CULOARE |

**EN**

| NUMBER | LENGTH | WIDTH | PCS | COLOUR |
|--------|--------|-------|-----|--------|
| 1      | 268    | 280   | 2   | COLOUR |
| 2      | 500    | 280   | 2   | COLOUR |
| 3      | 468    | 268   | 1   | COLOUR |

**HU**

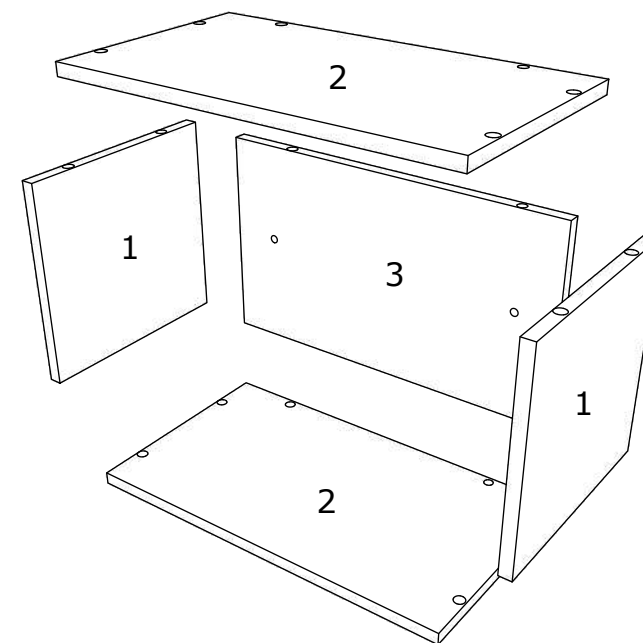
| SZÁM | HOSSZA | SZÉLES | DARAB | SZÍN |
|------|--------|--------|-------|------|
| 1    | 268    | 280    | 2     | SZÍN |
| 2    | 500    | 280    | 2     | SZÍN |
| 3    | 468    | 268    | 1     | SZÍN |

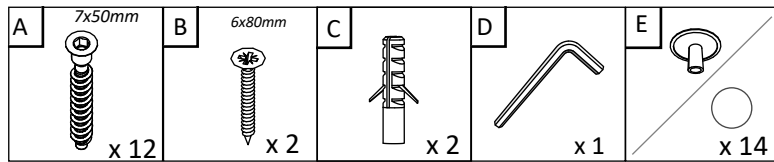
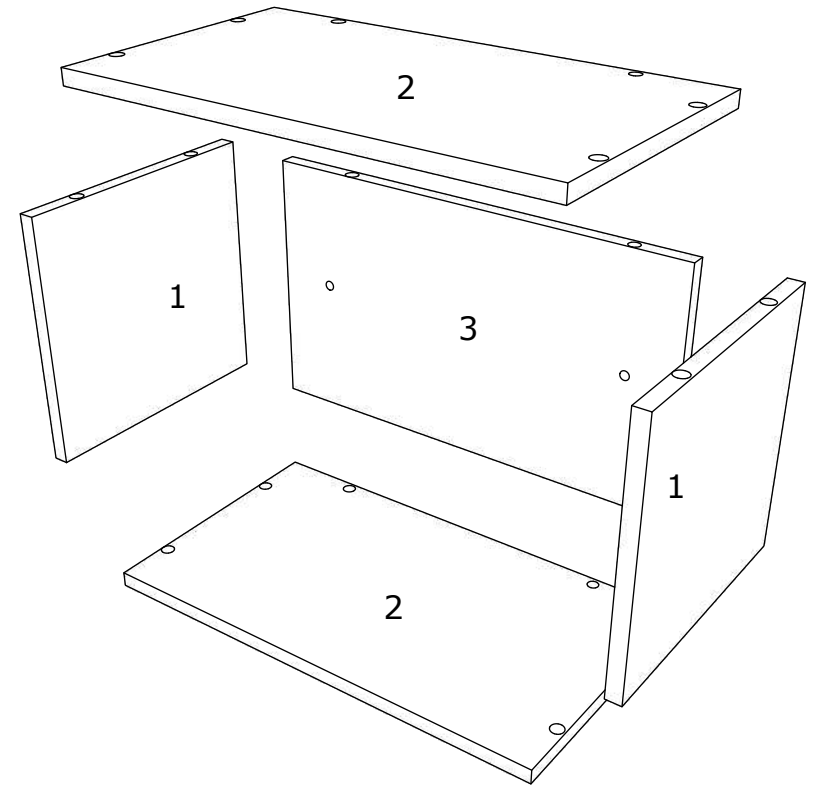
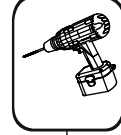
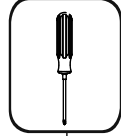
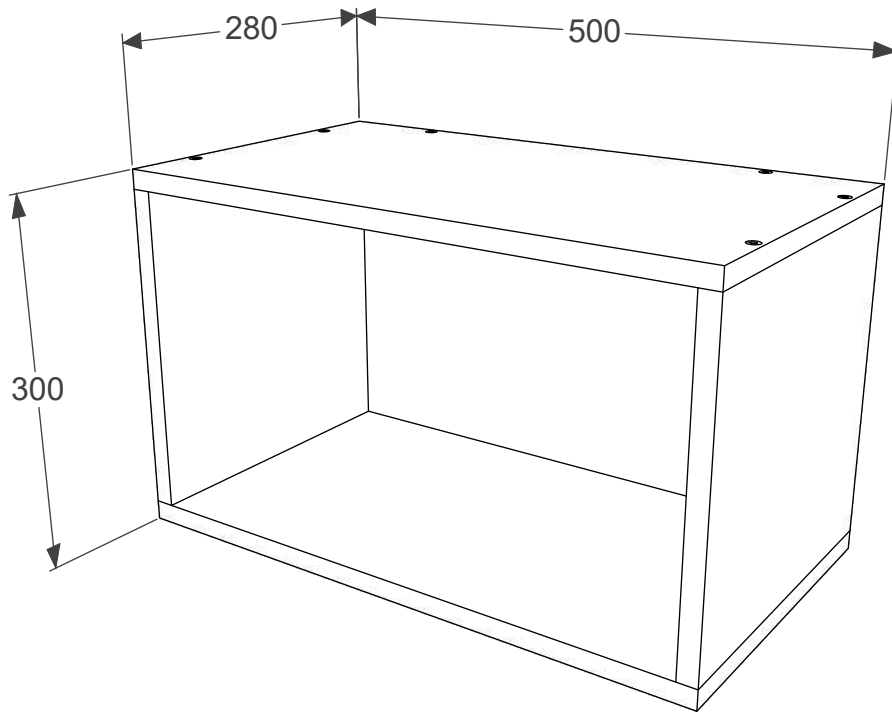
**BG**

| Номер | Дължина | Ширина | Парчета | Цвят |
|-------|---------|--------|---------|------|
| 1     | 268     | 280    | 2       | Цвят |
| 2     | 500     | 280    | 2       | Цвят |
| 3     | 468     | 268    | 1       | Цвят |

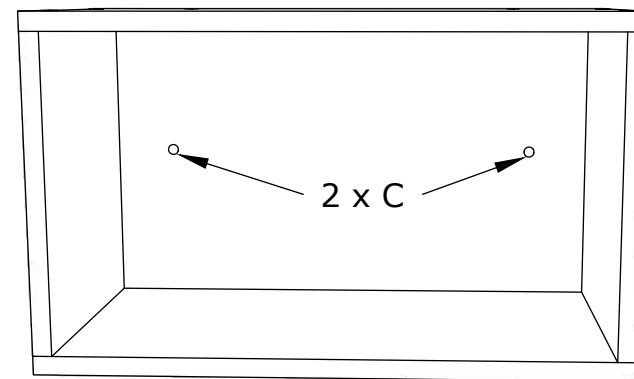
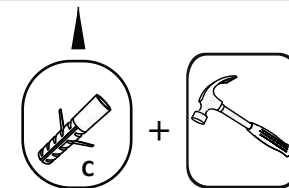
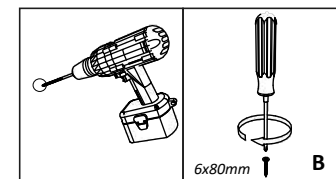
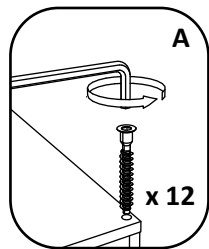
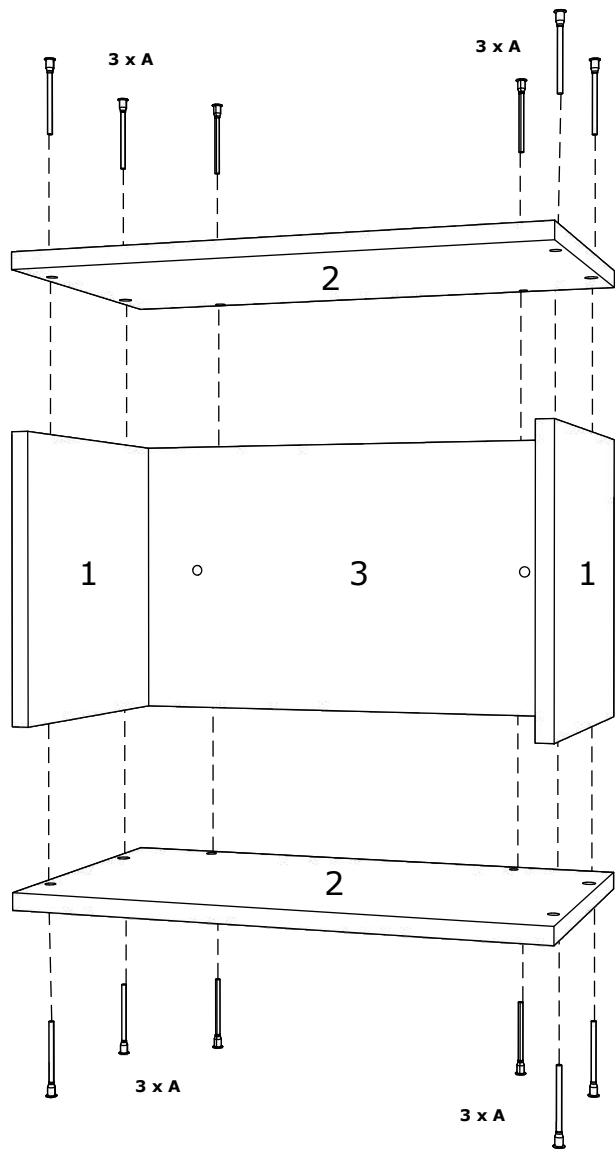
**FR**

| NOMBRE | LONGUEUR | LARGEUR | PIÈCES | COULEUR |
|--------|----------|---------|--------|---------|
| 1      | 268      | 280     | 2      | COULEUR |
| 2      | 500      | 280     | 2      | COULEUR |
| 3      | 468      | 268     | 1      | COULEUR |

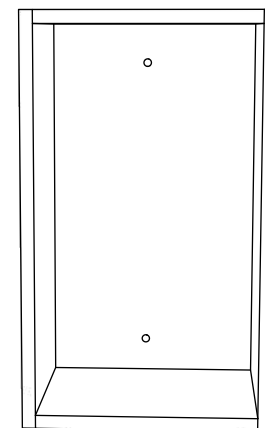




| No | B   | b   | x |
|----|-----|-----|---|
| 1  | 268 | 280 | 2 |
| 2  | 500 | 280 | 2 |
| 3  | 468 | 268 | 1 |



OR



1

2

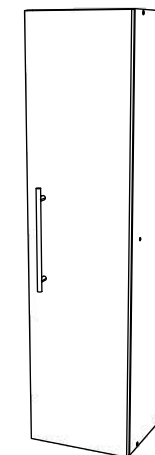
**RO** INSTRUCȚIUNI DE ASAMBLARE - **LIVING KOS - SOLDAT 1 USA - 950 x 300 x 300 MM**

**EN** ASSEMBLY INSTRUCTIONS - **LIVING KOS - 1 DOOR HIGH CABINET - 950 x 300 x 300 MM**

**FR** ISTRUCTIONS DE MONTAGE - **VIVRE KOS - ARMOIRE HAUTE 1 PORTE1 - 950 x 300 x 300 MM**

**HU** ÖSSZESZERELÉSI ÚTMUTATÓ - **ÉLŐ KOS - 1 AJTÓS MAGAS SZEKRENY - 950 x 300 x 300 MM**

**BG** ИНСТРУКЦИИ ЗА СГЛОБЯВАНЕ - **ЖИВА КОС - ВИСОК ШКАФ 1 ВРАТА - 950 x 300 x 300 MM**



**RO**

| NUMAR | LUNGIME | LATIME | BUC | CULOARE     |
|-------|---------|--------|-----|-------------|
| 1     | 950     | 280    | 1   | CULOARE     |
| 2     | 950     | 280    | 1   | CULOARE     |
| 3     | 268     | 280    | 2   | CULOARE     |
| 4     | 268     | 268    | 2   | CULOARE     |
| 5     | 946     | 296    | 1   | CULOARE     |
| 6     | 946     | 296    | 1   | PANOU SPATE |

**EN**

| NUMBER | LENGTH | WIDTH | PCS | COLOUR      |
|--------|--------|-------|-----|-------------|
| 1      | 950    | 280   | 1   | COLOUR      |
| 2      | 950    | 280   | 1   | COLOUR      |
| 3      | 268    | 280   | 2   | COLOUR      |
| 4      | 268    | 268   | 2   | COLOUR      |
| 5      | 946    | 296   | 1   | COLOUR      |
| 6      | 946    | 296   | 1   | BACK PANNEL |

**HU**

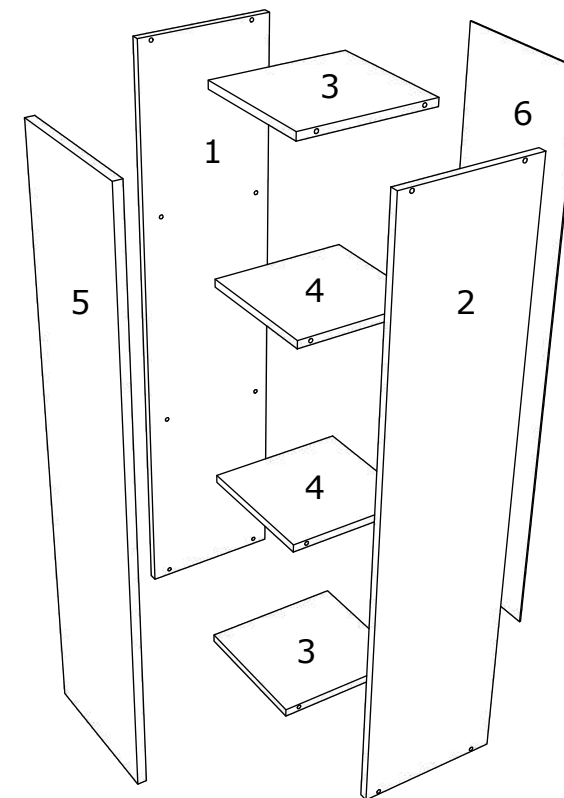
| SZÁM | HOSSZA | SZÉLES | DARAB | SZÍN          |
|------|--------|--------|-------|---------------|
| 1    | 950    | 280    | 1     | SZÍN          |
| 2    | 950    | 280    | 1     | SZÍN          |
| 3    | 268    | 280    | 2     | SZÍN          |
| 4    | 268    | 268    | 2     | SZÍN          |
| 5    | 946    | 296    | 1     | SZÍN          |
| 6    | 946    | 296    | 1     | HÁTULSÓ PANEL |

**BG**

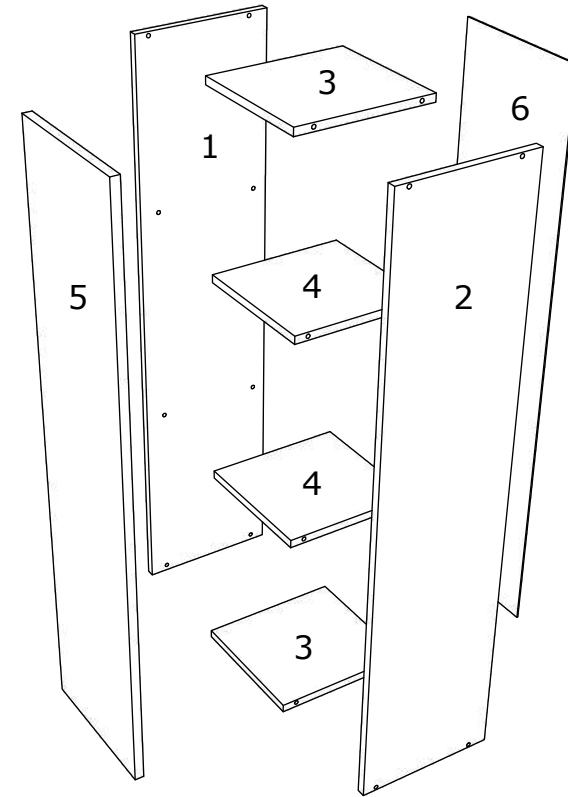
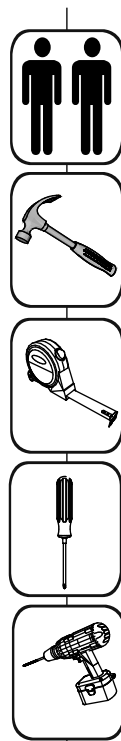
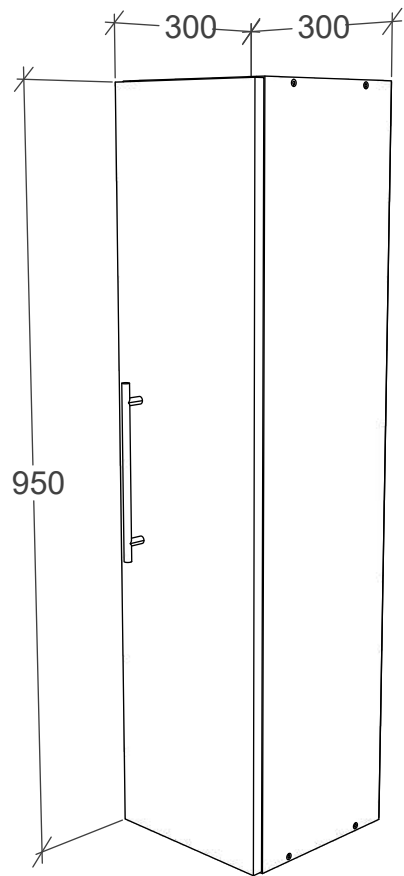
| Номер | Дължина | Ширина | Парчета | Цвят        |
|-------|---------|--------|---------|-------------|
| 1     | 950     | 280    | 1       | Цвят        |
| 2     | 950     | 280    | 1       | Цвят        |
| 3     | 268     | 280    | 2       | Цвят        |
| 4     | 268     | 268    | 2       | Цвят        |
| 5     | 946     | 296    | 1       | Цвят        |
| 6     | 946     | 296    | 1       | Заден панел |




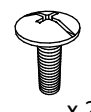
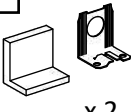
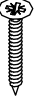

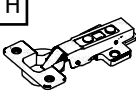

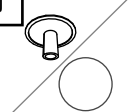
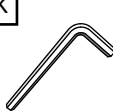
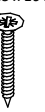

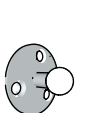

**FR**

| NOMBRE | LONGUEUR | LARGEUR | PIÈCES | COULEUR         |
|--------|----------|---------|--------|-----------------|
| 1      | 950      | 280     | 1      | COULEUR         |
| 2      | 950      | 280     | 1      | COULEUR         |
| 3      | 268      | 280     | 2      | COULEUR         |
| 4      | 268      | 268     | 2      | COULEUR         |
| 5      | 946      | 296     | 1      | COULEUR         |
| 6      | 946      | 296     | 1      | PANNEAU ARRIÈRE |

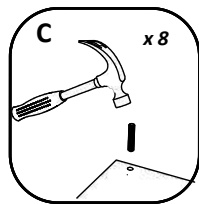
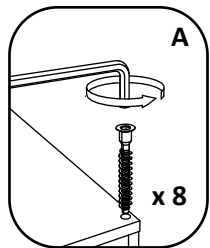
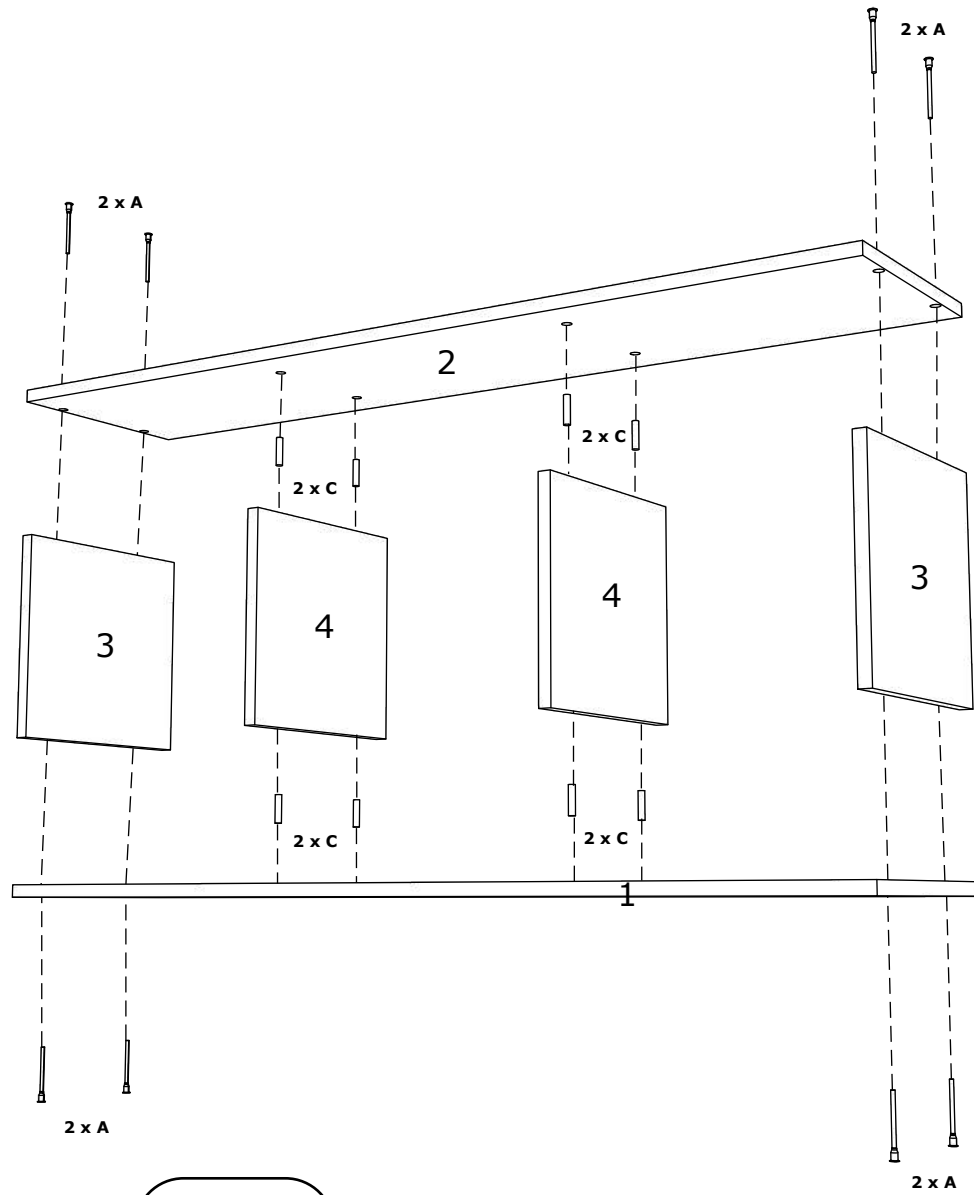




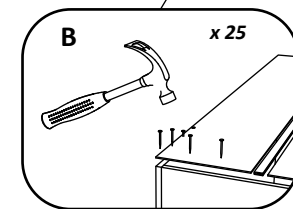
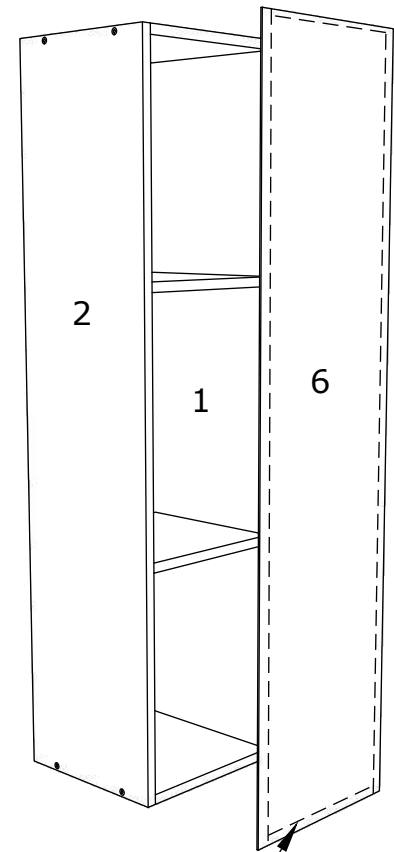


|   |  |   |   |   |  |   |  |   |  |   |  |
|---|--|---|---|---|--|---|--|---|--|---|--|
| A | 7x50mm<br><br>x 8 | B | <br>x 25 | C | <br>x 8           | D | 4 x 22mm<br><br>x 2 | E | <br>x 2 | F | 6x80mm<br><br>x 2       |
| G | <br>x 2           | H | <br>x 2  | I | 320 mm<br><br>x 1 | J | <br>x 8             | K | <br>x 1 | L | 3.5 x 16 mm<br><br>x 22 |
| M | <br>x 2           | N | <br>x 2  | O | <br>x 2           |   |  |   |  |   |  |

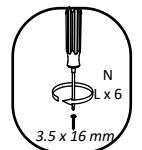
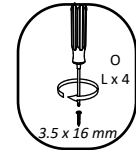
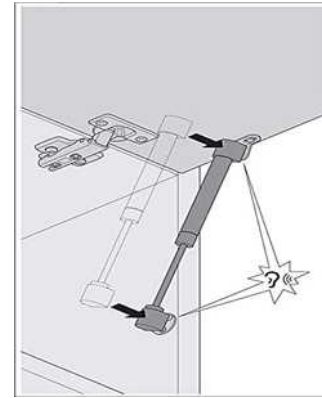
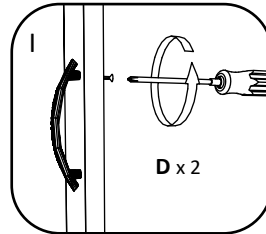
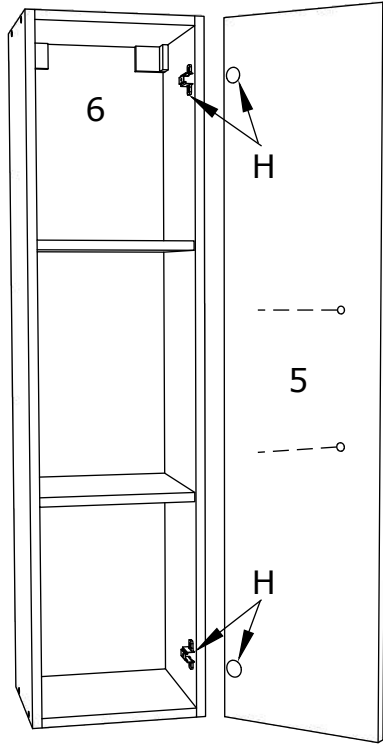
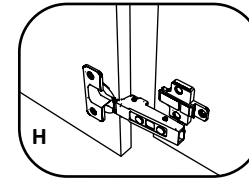
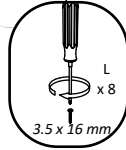
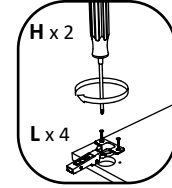
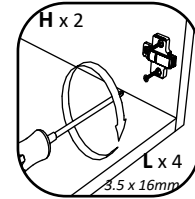
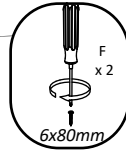
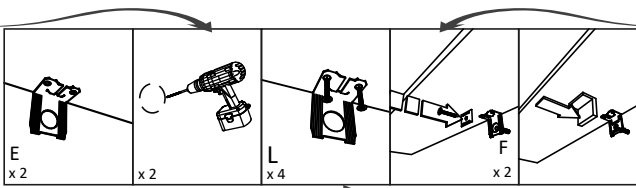
| No | B   | b   | x |
|----|-----|-----|---|
| 1  | 950 | 280 | 1 |
| 2  | 950 | 280 | 1 |
| 3  | 268 | 280 | 2 |
| 4  | 268 | 268 | 2 |
| 5  | 946 | 296 | 1 |
| 6  | 946 | 296 | 1 |



1



2



OR

