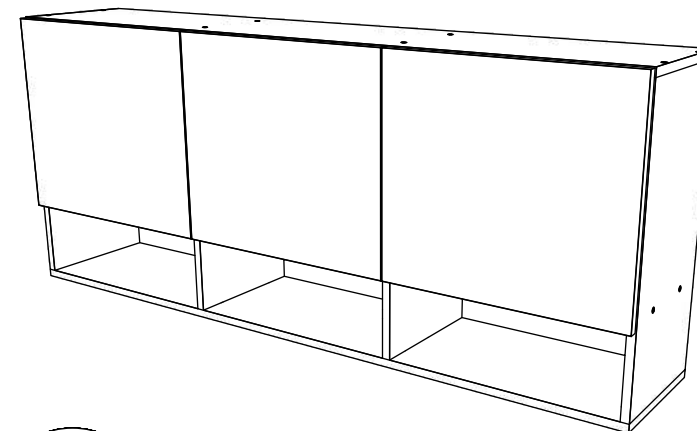
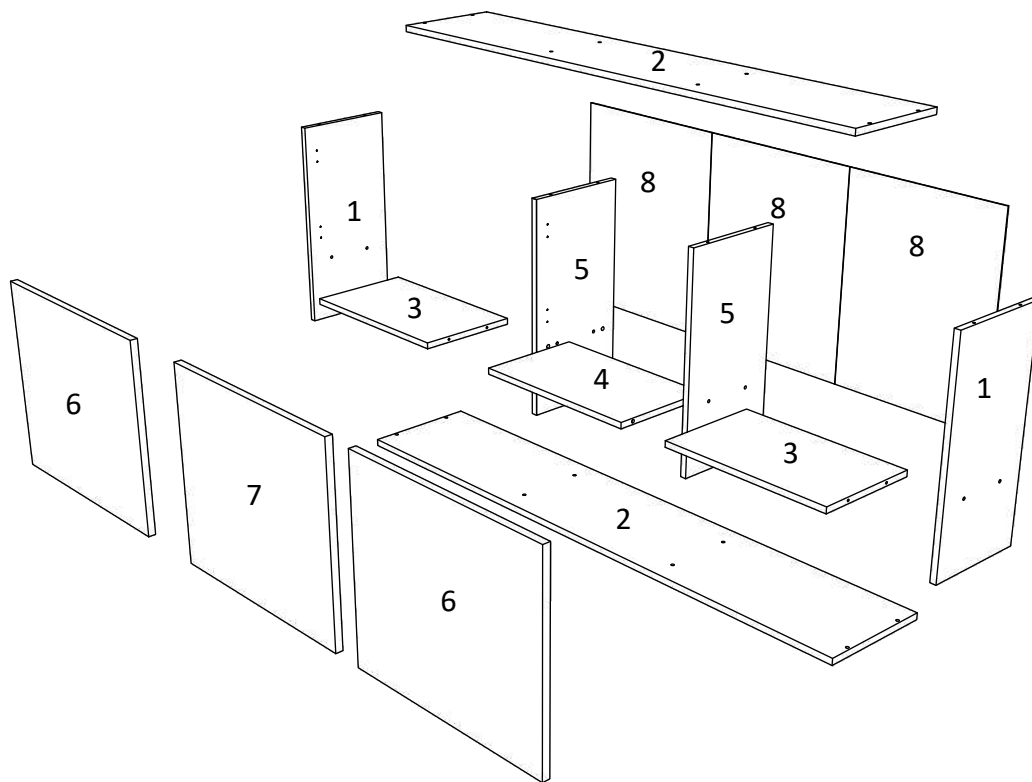


RO INSTRUCTIUNI DE ASAMBLARE - **CORP SUPERIOR MALMO 3 USI - 1640 x 600 x 270 MM**

EN ASSEMBLY INSTRUCTIONS - **MALMO 3 DOORS SUPERIOR CABINET - 1640 x 600 x 270 MM**

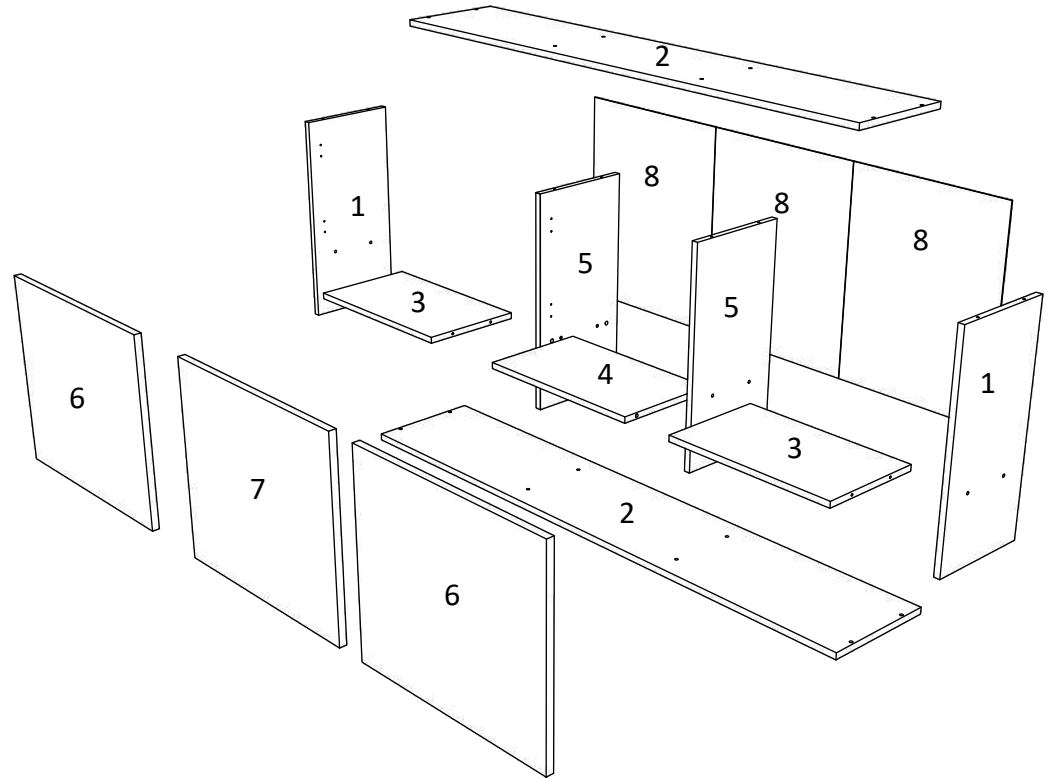
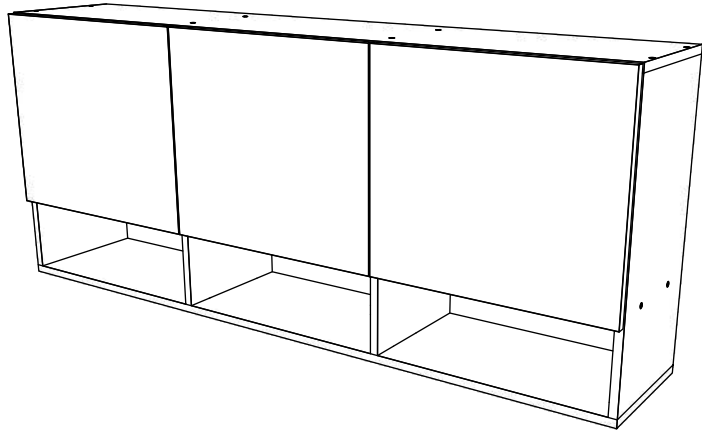


RO

| NUMAR | LUNGIME | LATIME | BUC | CULOARE |
|-------|---------|--------|-----|-----------|
| 1 | 568 | 270 | 2 | CULOARE1 |
| 2 | 1636 | 270 | 2 | CULOARE1 |
| 3 | 524 | 270 | 2 | CULOARE1 |
| 4 | 524 | 270 | 1 | CULOARE1 |
| 5 | 568 | 270 | 2 | CULOARE1 |
| 6 | 422 | 544 | 2 | CULOARE2 |
| 7 | 422 | 538 | 1 | CULOARE2 |
| 8 | 596 | 491 | 3 | PFL SPATE |

EN

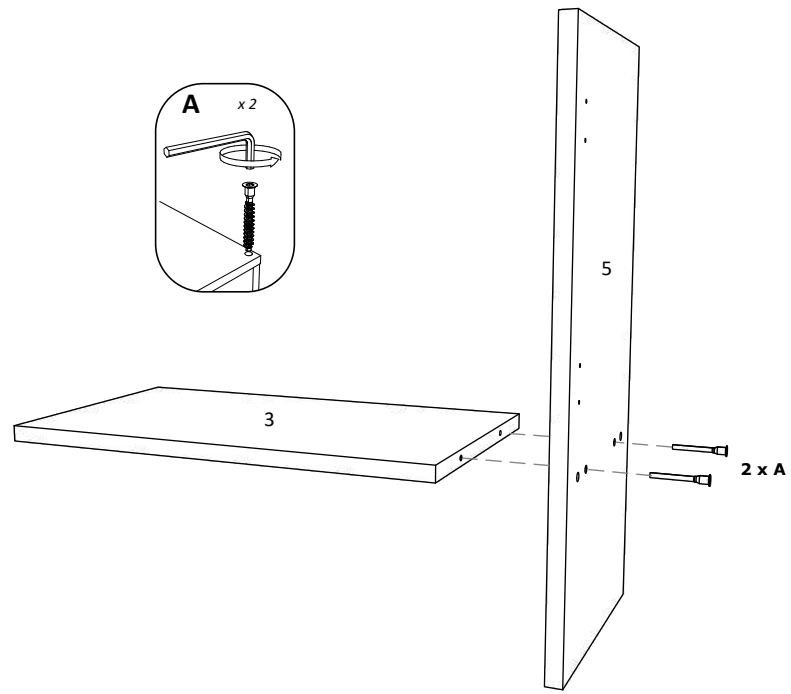
| NUMBER | LENGTH | WIDTH | PCS | COLOUR |
|--------|--------|-------|-----|-------------|
| 1 | 568 | 270 | 2 | COLOUR1 |
| 2 | 1637 | 270 | 2 | COLOUR1 |
| 3 | 524 | 270 | 2 | COLOUR1 |
| 4 | 524 | 270 | 1 | COLOUR1 |
| 5 | 568 | 270 | 2 | COLOUR1 |
| 6 | 422 | 544 | 2 | COLOUR2 |
| 7 | 422 | 538 | 1 | COLOUR2 |
| 8 | 596 | 491 | 3 | BACK PANNEL |



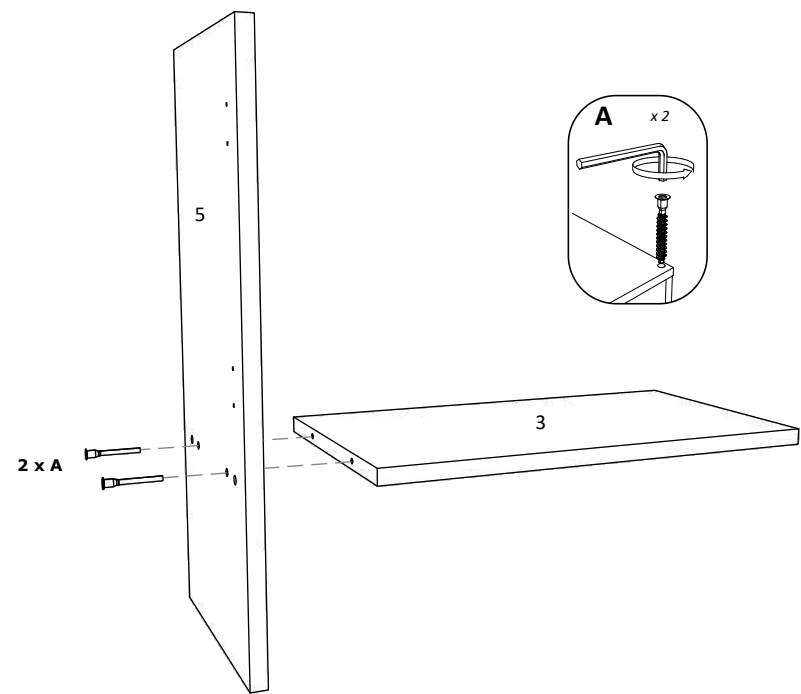
| | | | | |
|----------------------------------|----------------------|-------------------------------------|-------------------------------|---------------------|
| A 7x50mm x 24 | B x 12 | C 3.5 x 16 mm x 30 | D x 4 | E x 2 |
| F x 1 | G x 72 | H 8 mm x 3 | I 6x80mm x 3 | J x 3 |
| K M4 x 20mm x 4 | L x 4 | M M6x8x30mm x 4 | | |

EN

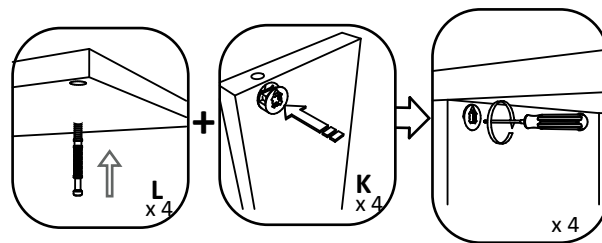
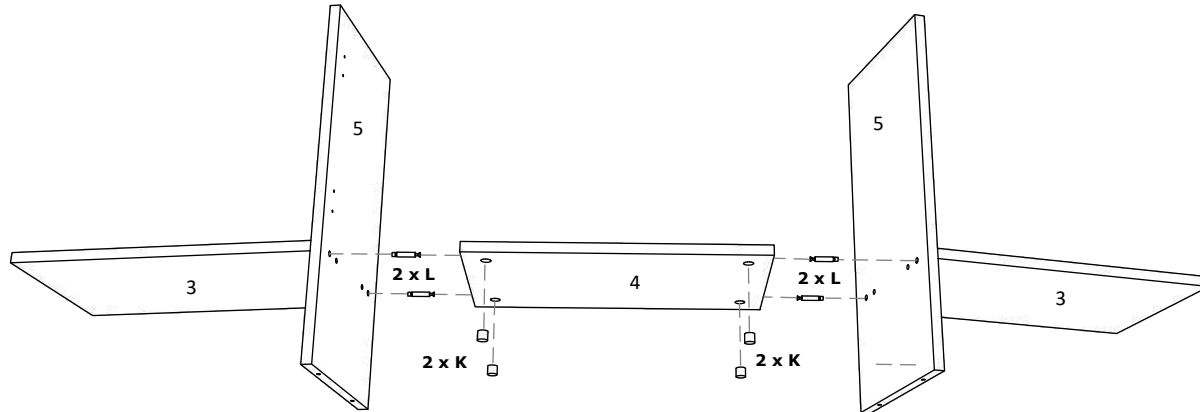
| NUMBER | LENGTH | WIDTH | PCS | COLOUR |
|--------|--------|-------|-----|-------------|
| 1 | 568 | 270 | 2 | COLOUR1 |
| 2 | 1637 | 270 | 2 | COLOUR1 |
| 3 | 524 | 270 | 2 | COLOUR1 |
| 4 | 524 | 270 | 1 | COLOUR1 |
| 5 | 568 | 270 | 2 | COLOUR1 |
| 6 | 422 | 544 | 2 | COLOUR2 |
| 7 | 422 | 538 | 1 | COLOUR2 |
| 8 | 596 | 491 | 3 | BACK PANNEL |



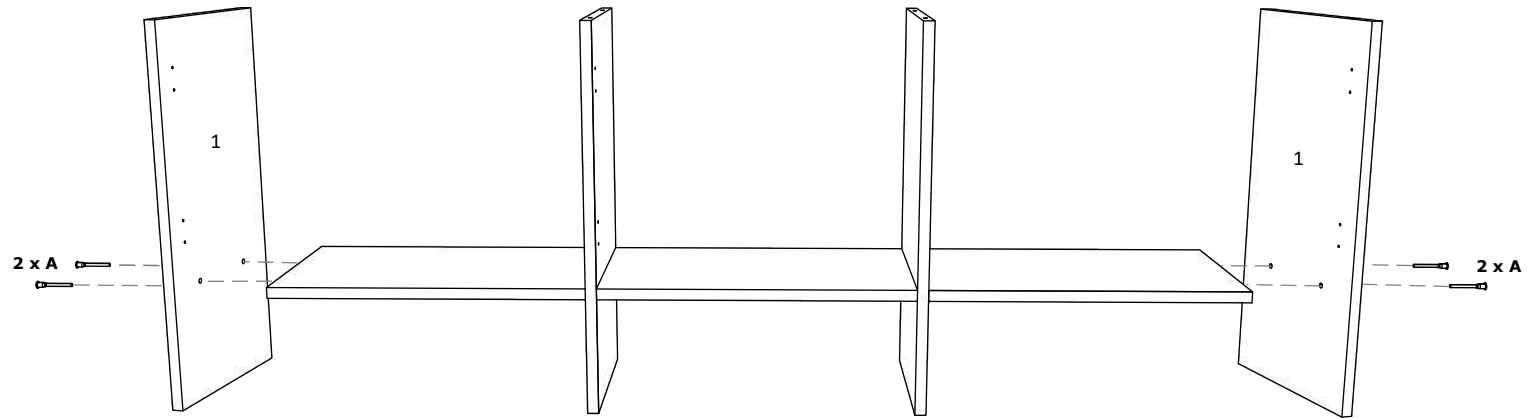
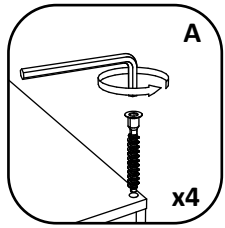
1



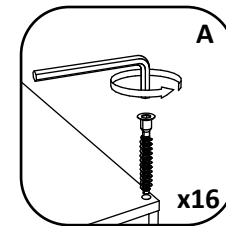
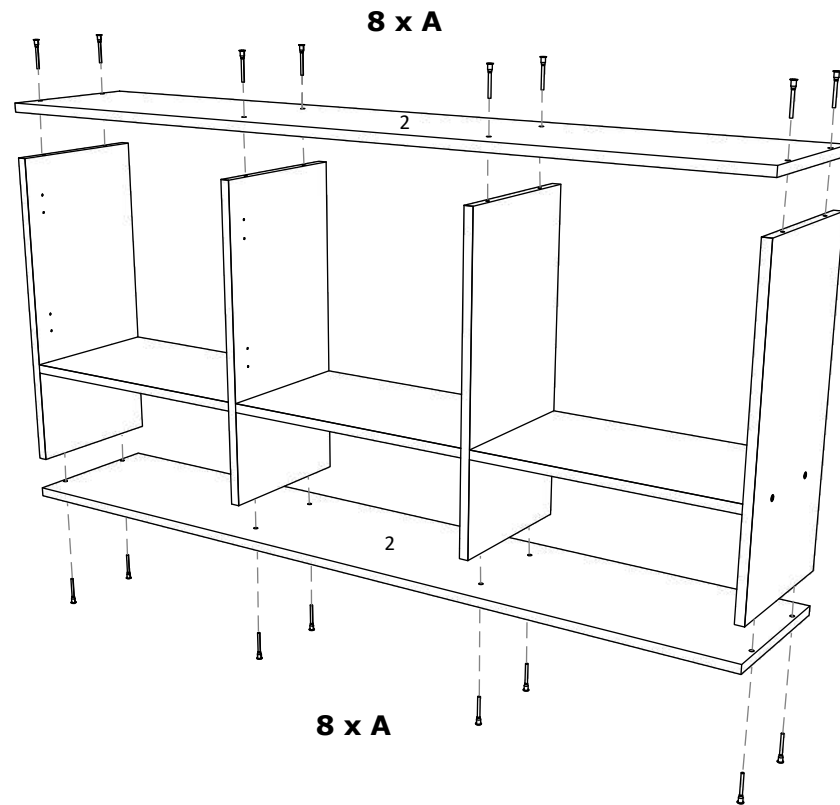
2



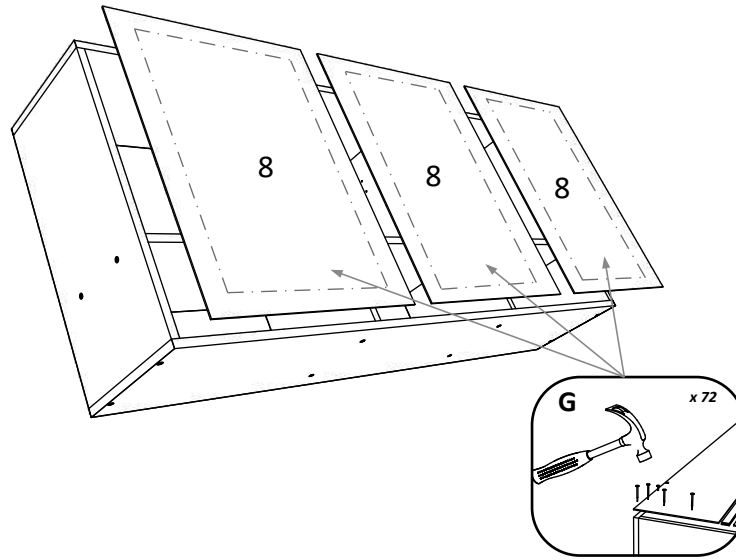
3



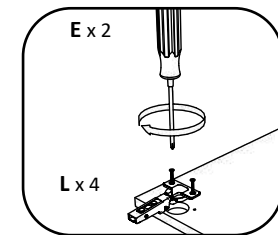
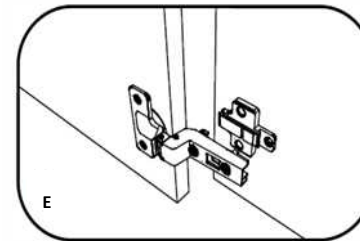
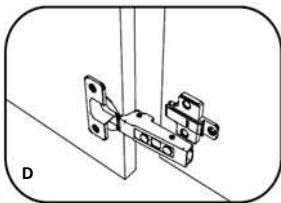
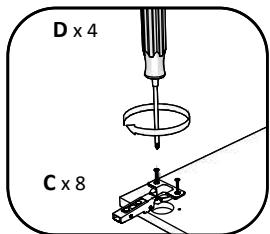
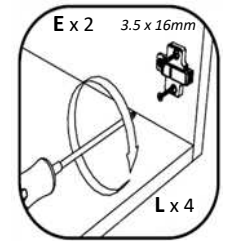
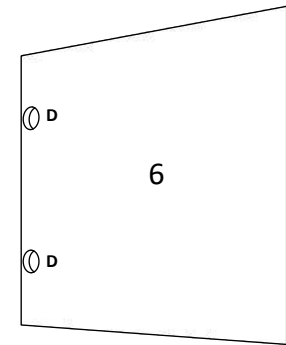
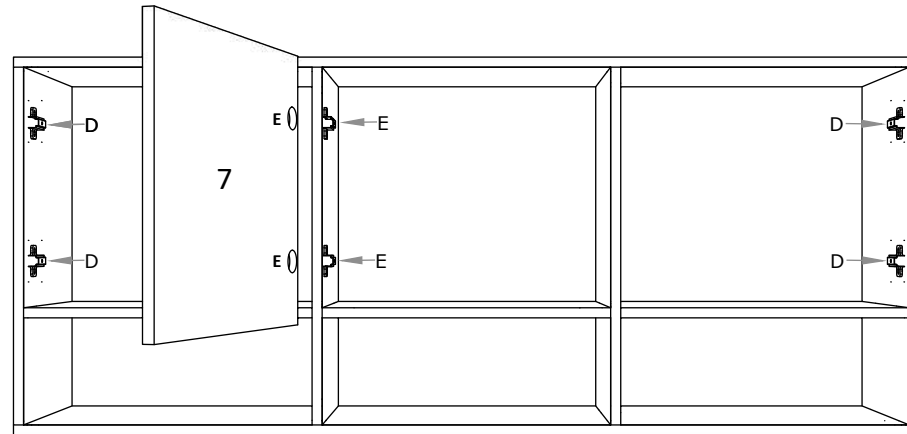
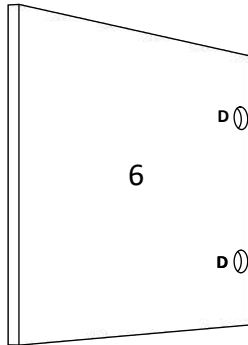
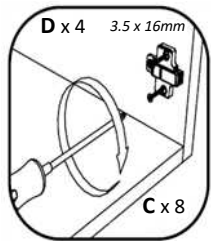
4



5



6



7

