

RO INSTRUCTIUNI DE ASAMBLARE - **LIVING OSAKA** - **COMODA 2 USI** - **1900 x 400 x 400 MM**

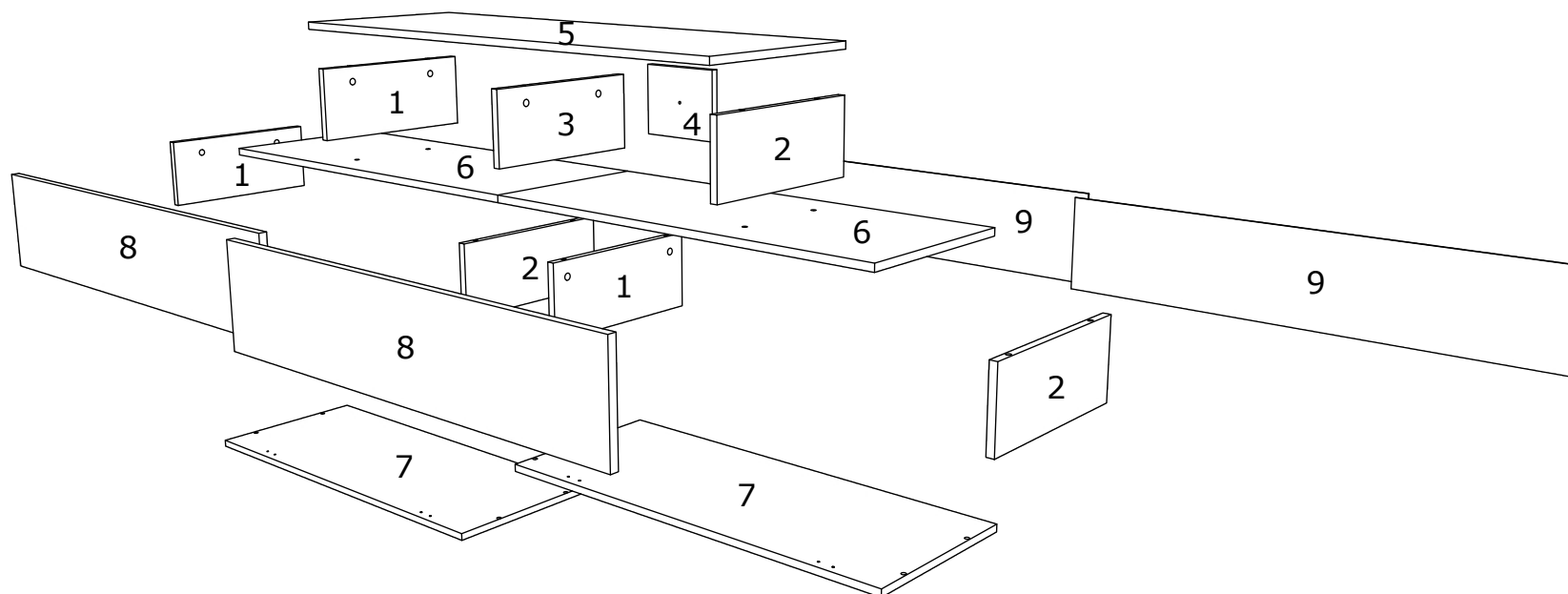
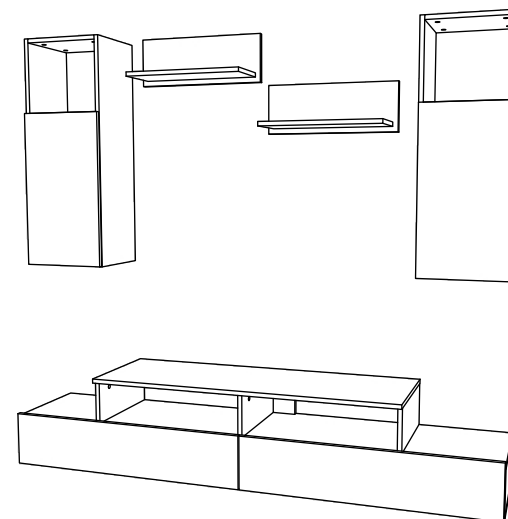
EN ASSEMBLY INSTRUCTIONS - **LIVING OBU** - **CABINET 2 DOORS** - **1900 x 400 x 400 MM**

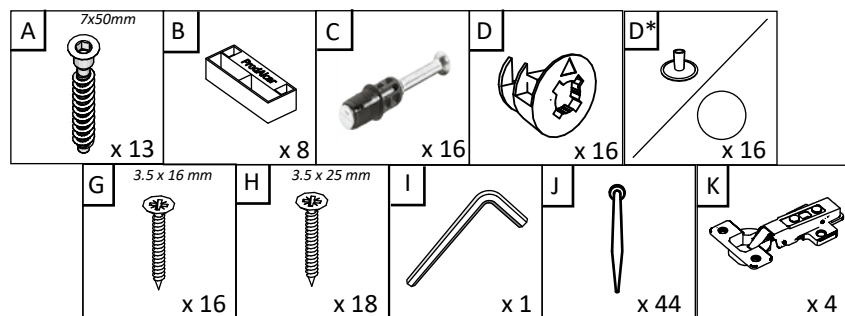
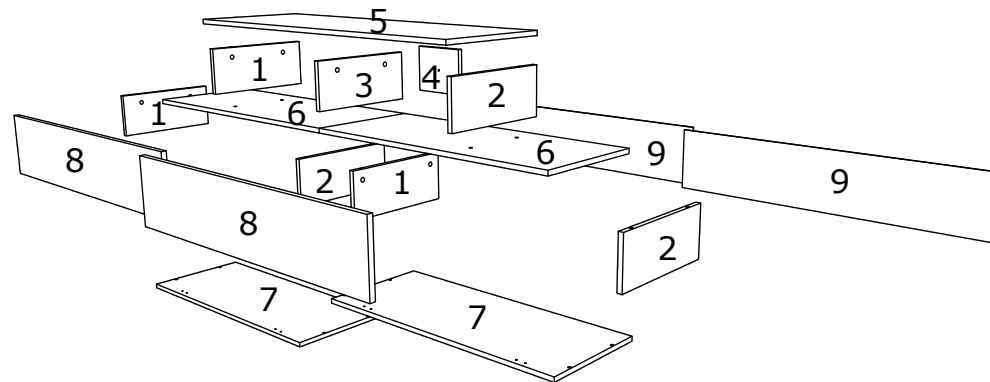
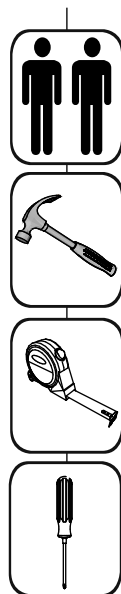
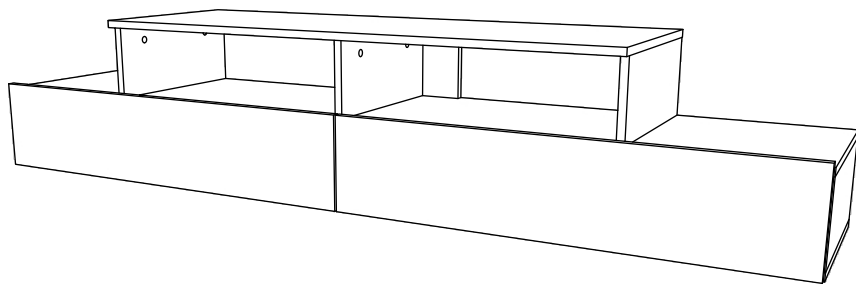
RO

NUMAR	LUNGIME	LATIME	BUC	CULOARE
1	163	380	3	CULOARE
2	163	380	3	CULOARE
3	163	364	1	CULOARE
4	163	200	1	CULOARE
5	1202	400	1	CULOARE
6	950	380	2	CULOARE
7	950	380	2	CULOARE
8	946	205	2	CULOARE
9	948	192	2	PANOU SPATE

EN

NUMBER	LENGH	T WIDTH	PCS	COLOUR
1	163	380	3	COLOUR
2	163	380	3	COLOUR
3	163	364	1	COLOUR
4	163	200	1	COLOUR
5	1202	400	1	COLOUR
6	950	380	2	COLOUR
7	950	380	2	COLOUR
8	946	205	2	COLOUR
9	948	192	2	BACK PANEL

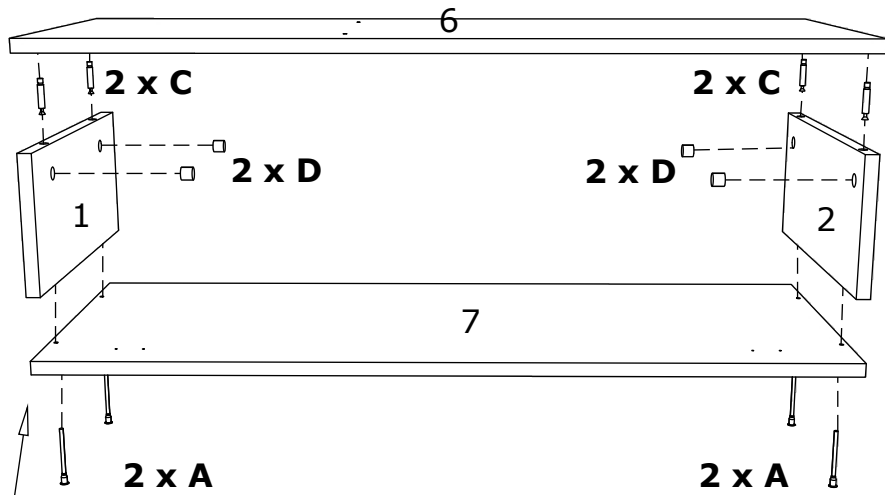




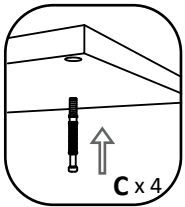
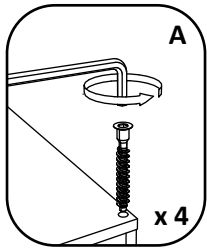
EN

NUMBER	LENGHT	WIDTH	PCS	COLOUR
1	163	380	3	COLOUR
2	163	380	3	COLOUR
3	163	364	1	COLOUR
4	163	200	1	COLOUR
5	1202	400	1	COLOUR
6	950	380	2	COLOUR
7	950	380	2	COLOUR
8	946	205	2	COLOUR
9	948	192	2	BACK PANEL

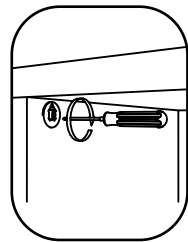
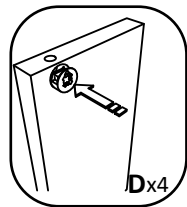
1



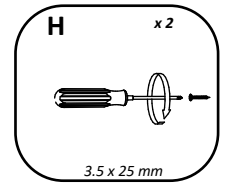
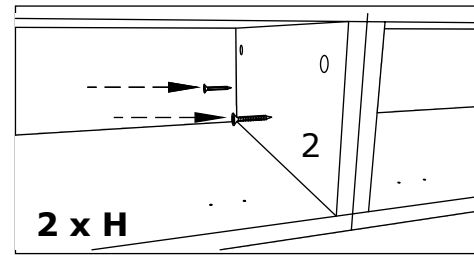
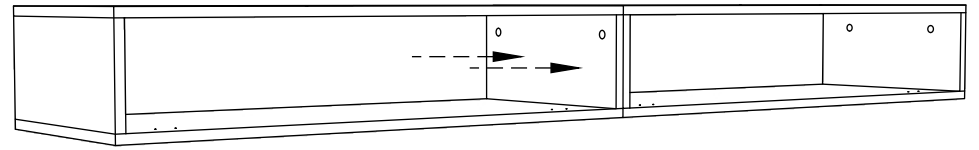
x2



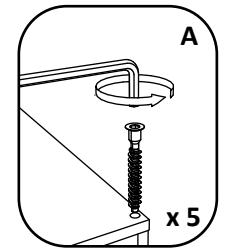
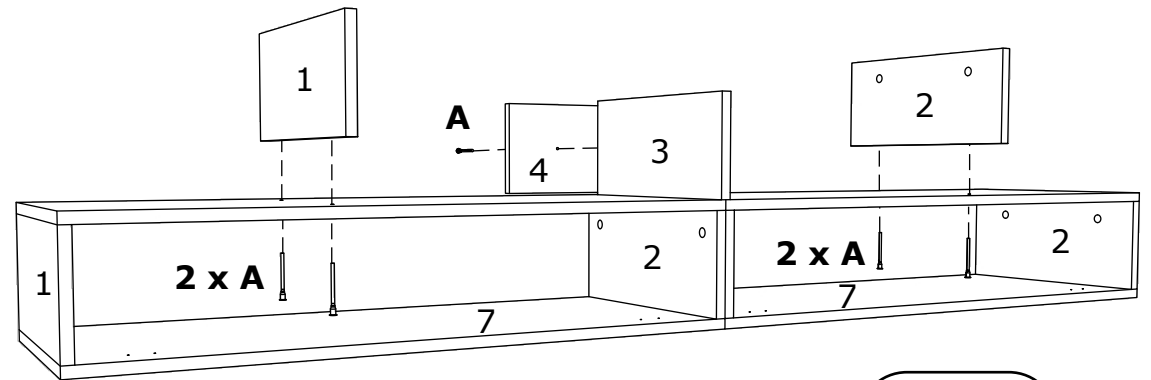
+

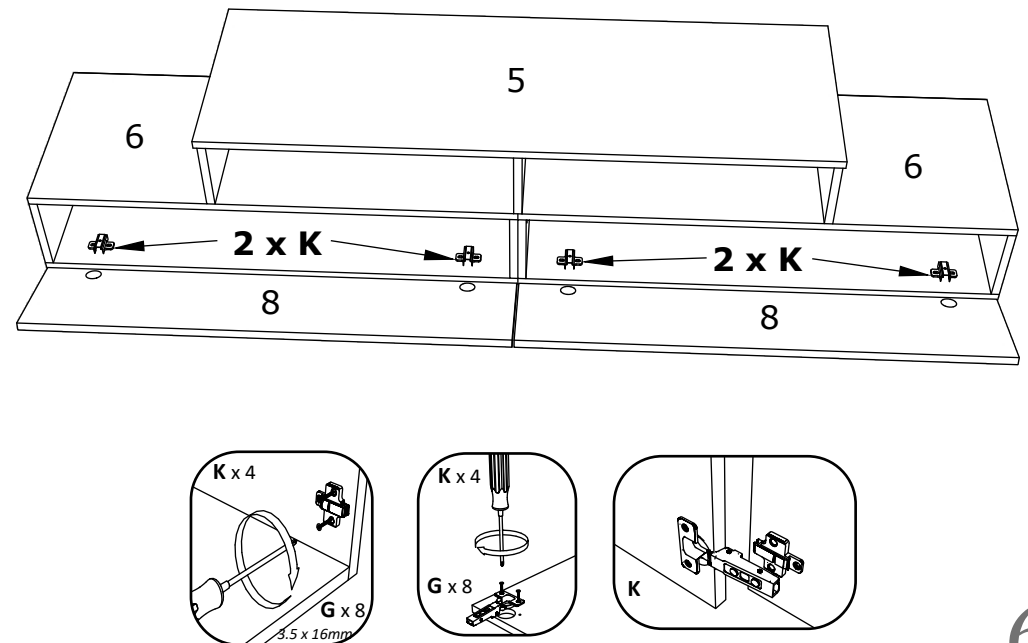
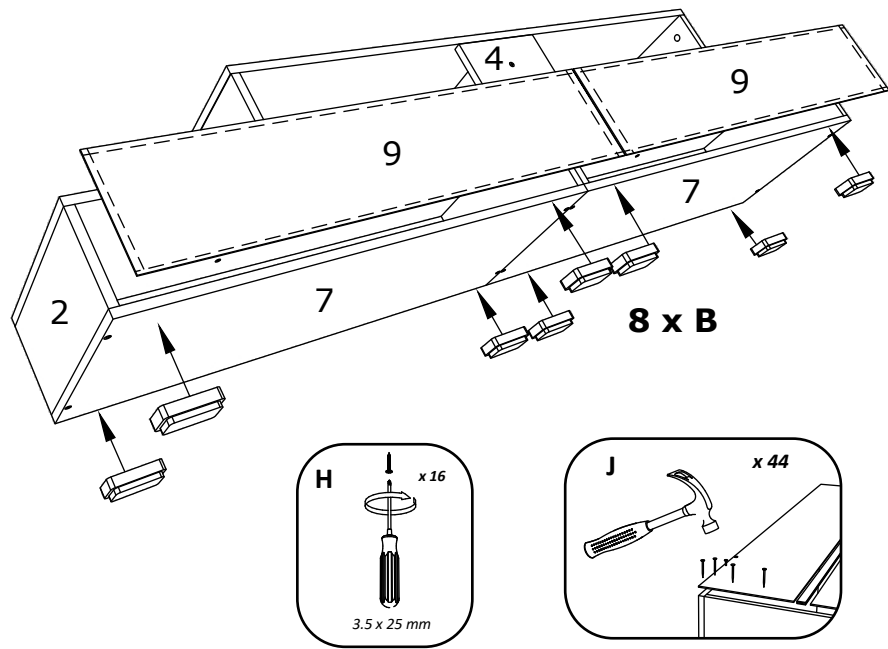
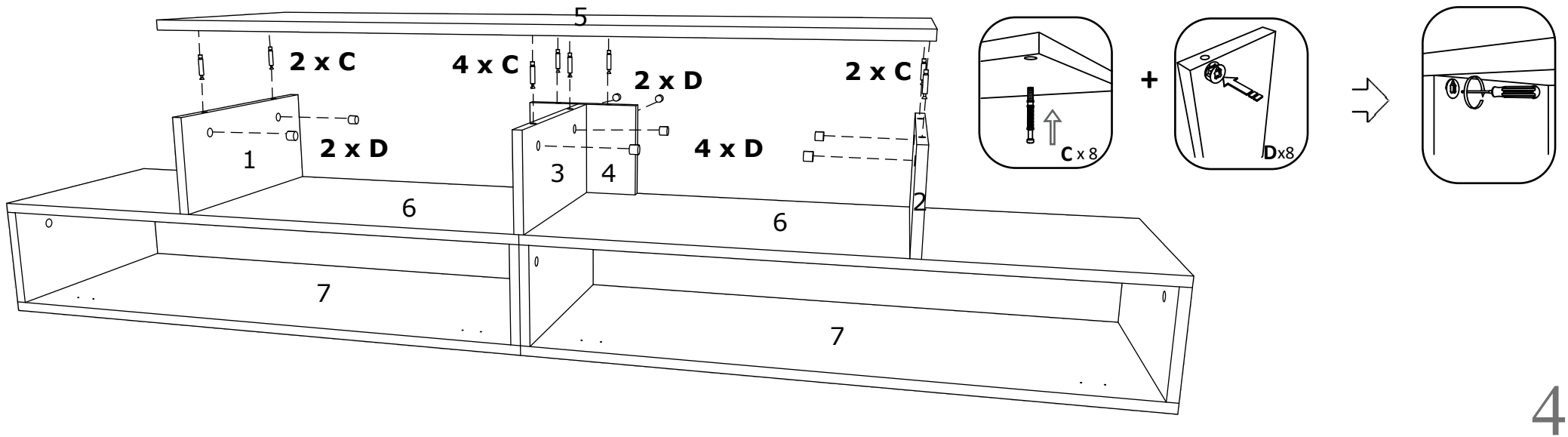


2



3





RO INSTRUCTIUNI DE ASAMBLARE - **LIVING OSAKA** - **SOLDAT 1 USA** - **300 x 330 x 900 MM**

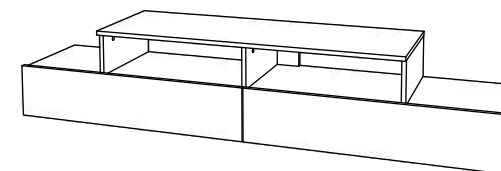
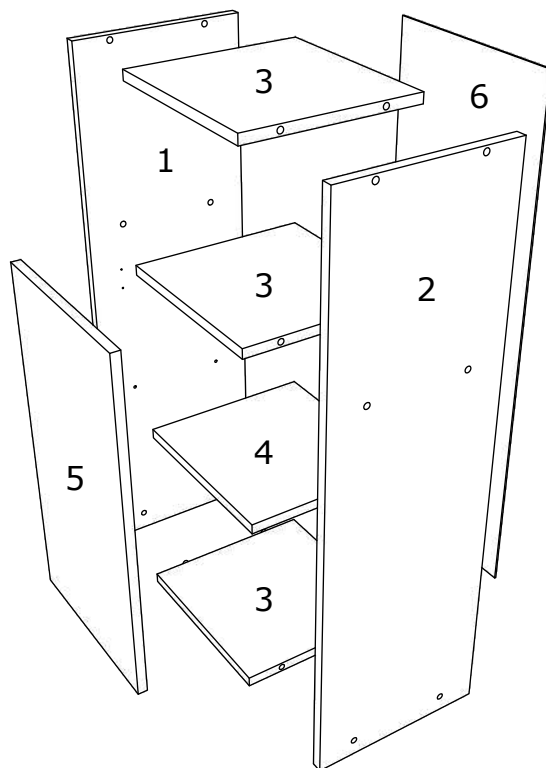
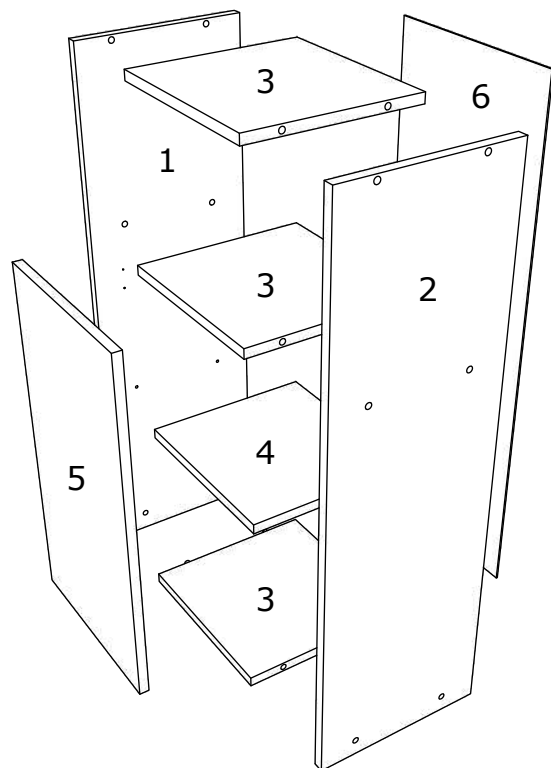
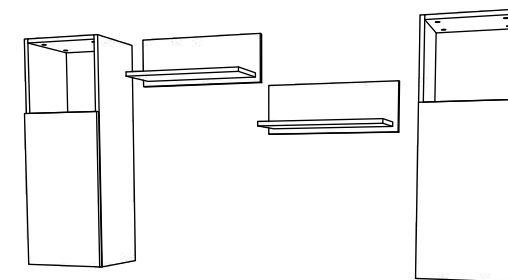
EN ASSEMBLY INSTRUCTIONS - **LIVING OSAKA** - **1 DOOR HIGH CABINET** - **300 x 330 x 900 MM**

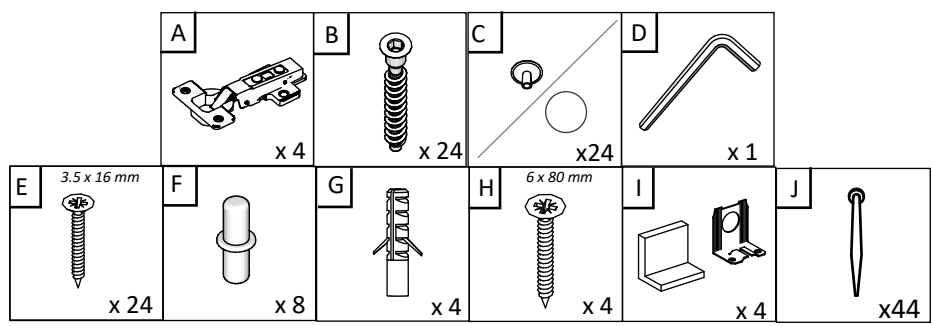
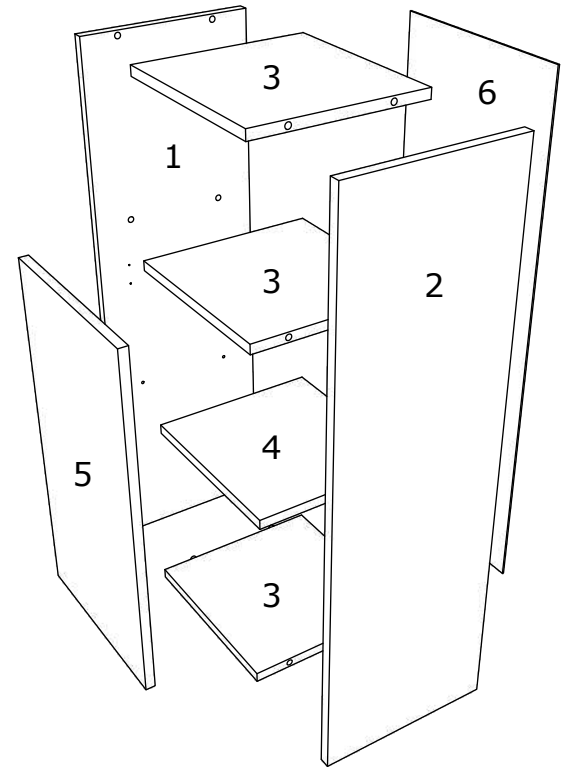
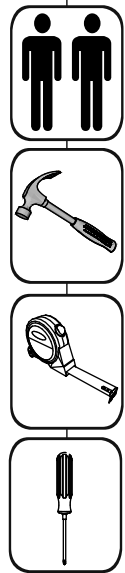
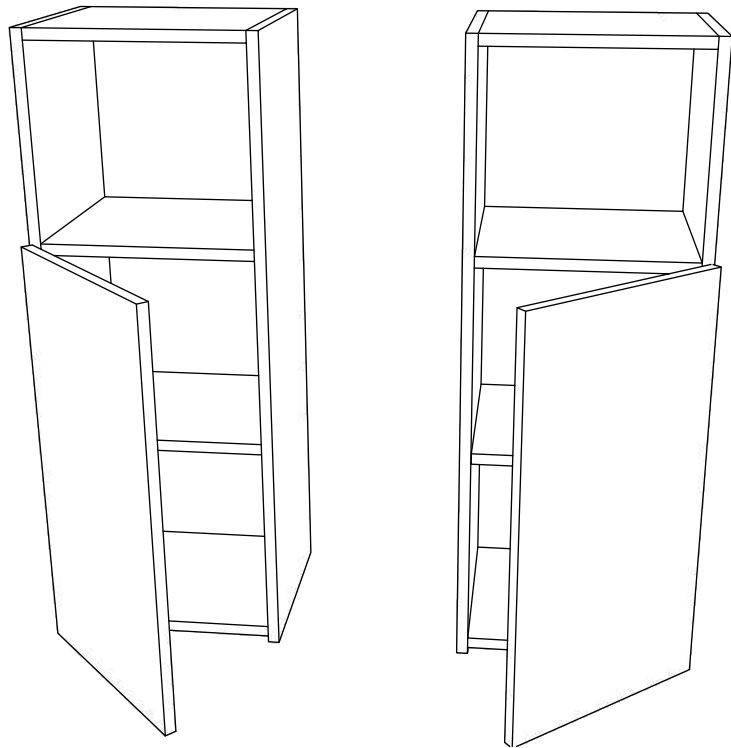
RO

NUMAR	LUNGIME	LATIME	BUC	CULOARE
1	900	280	2	CULOARE
2	900	280	2	CULOARE
3	298	280	6	CULOARE
4	298	270	2	CULOARE
5	605	326	2	CULOARE
6	886	326	2	PANOU SPATE

EN

NUMBER	LENGHT	WIDTH	PCS	COLOUR
1	900	280	2	COLOUR
2	900	280	2	COLOUR
3	298	280	6	COLOUR
4	298	270	2	COLOUR
5	605	326	2	COLOUR
6	886	326	2	BACK PANEL

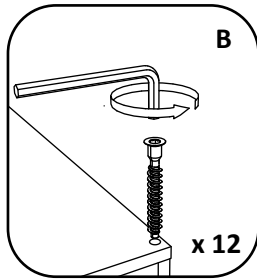
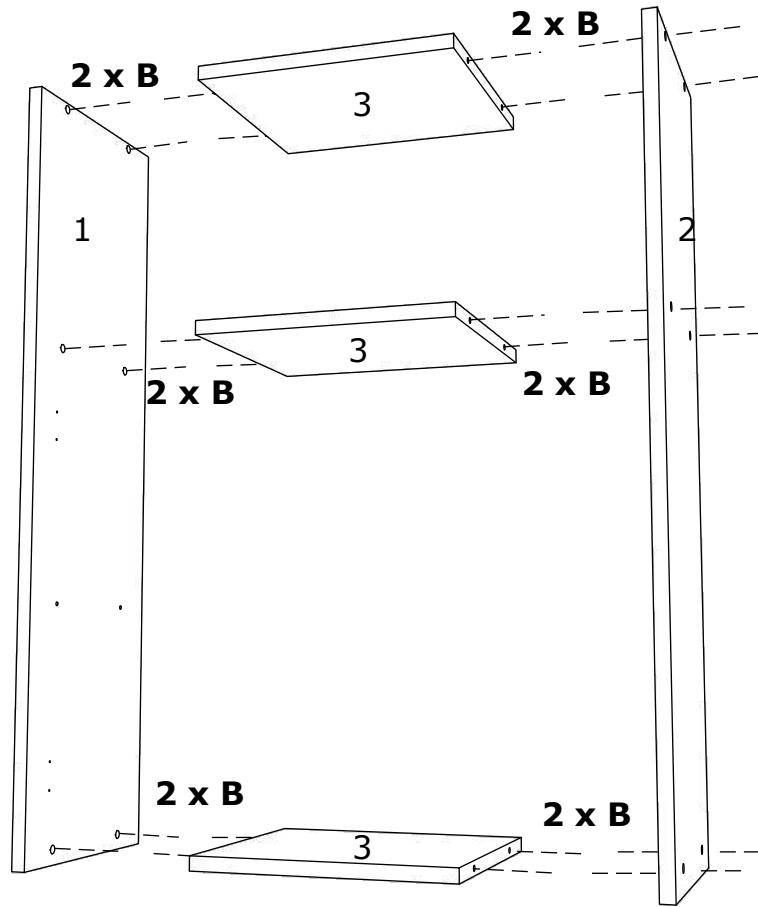




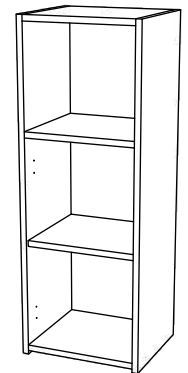
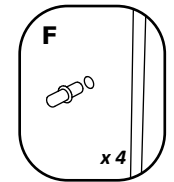
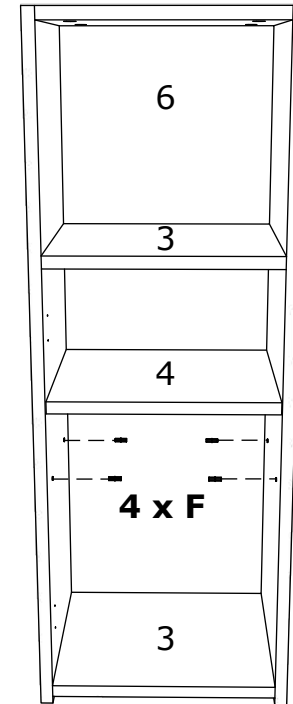
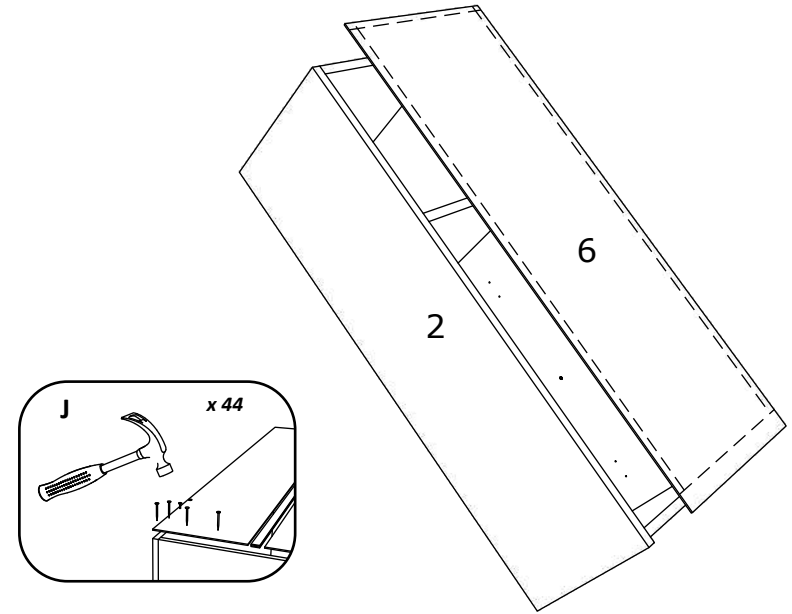
EN

NUMBER	LENGHT	WIDTH	PCS	COLOUR
1	900	280	2	COLOUR
2	900	280	2	COLOUR
3	298	280	6	COLOUR
4	298	270	2	COLOUR
5	605	326	2	COLOUR
6	886	326	2	BACK PANEL

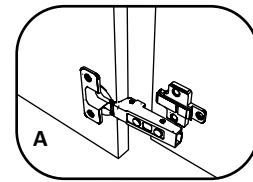
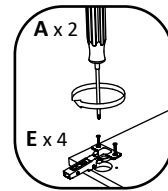
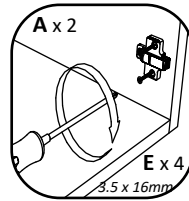
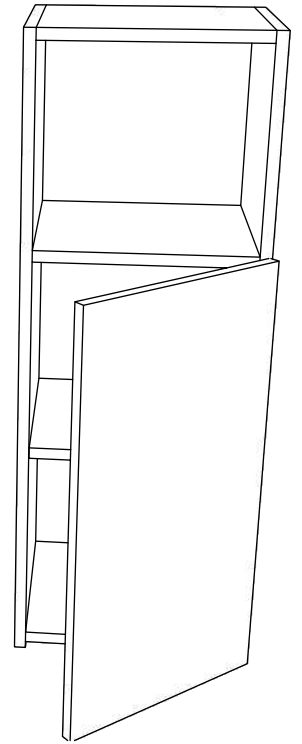
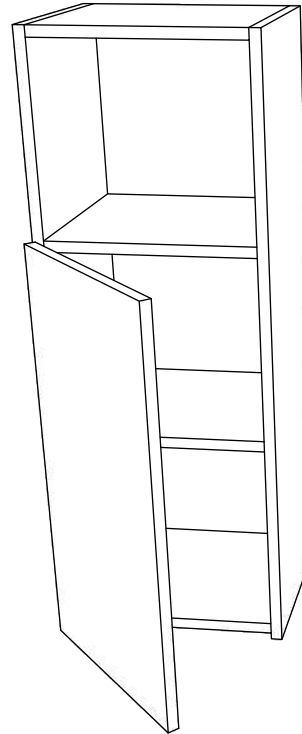
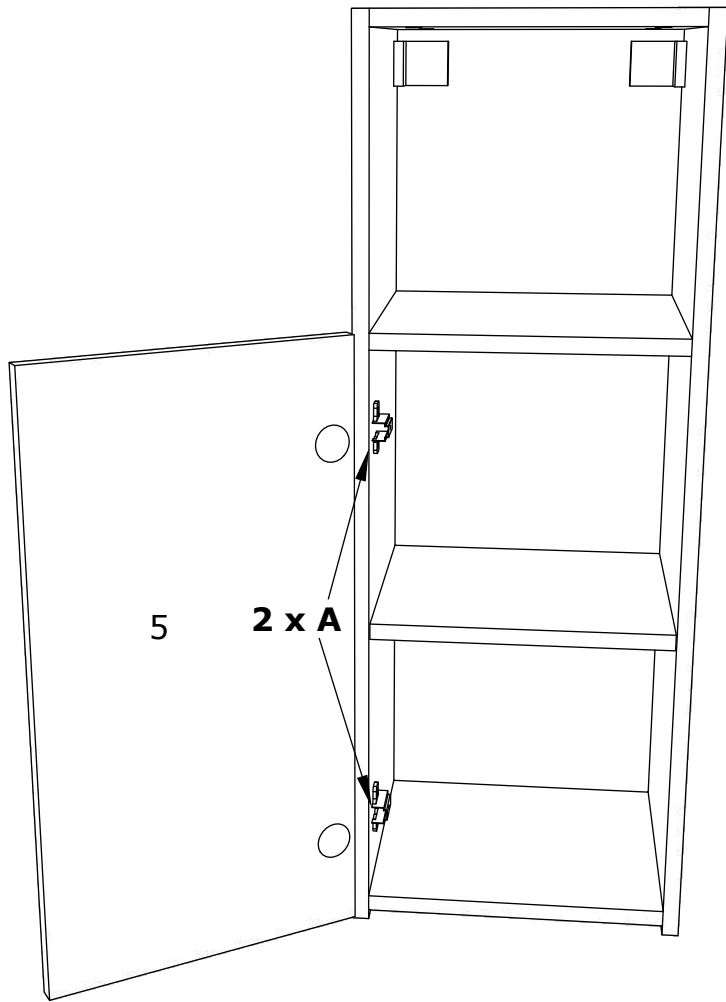
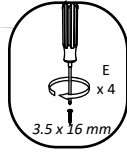
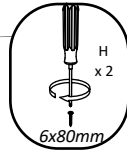
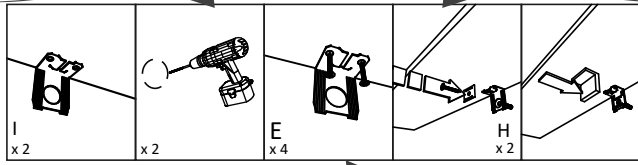
1



2



3



RO INSTRUCTIUNI DE ASAMBLARE - **LIVING OSAKA** - RAFTURI - 500 x 200 x 184 MM

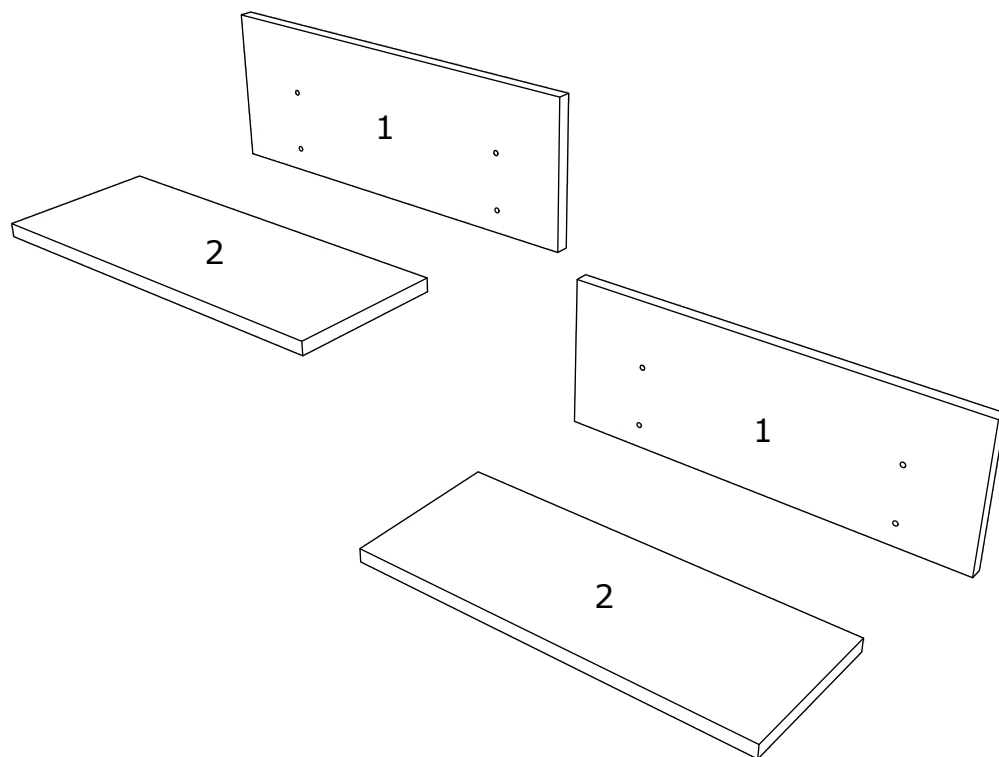
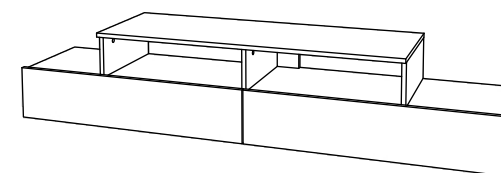
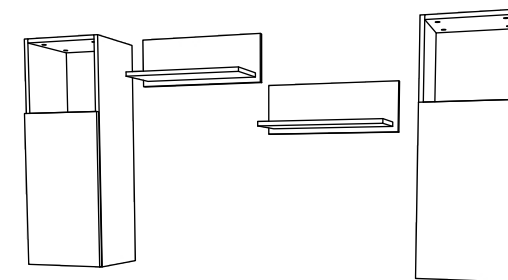
EN ASSEMBLY INSTRUCTIONS - **LIVING OSAKA** - SHELF S - 500 x 200 x 184 MM

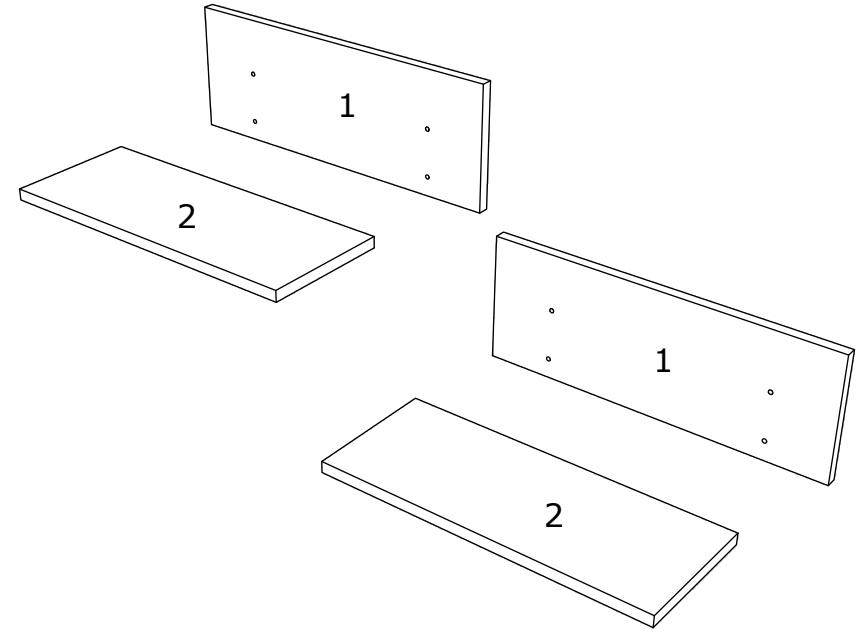
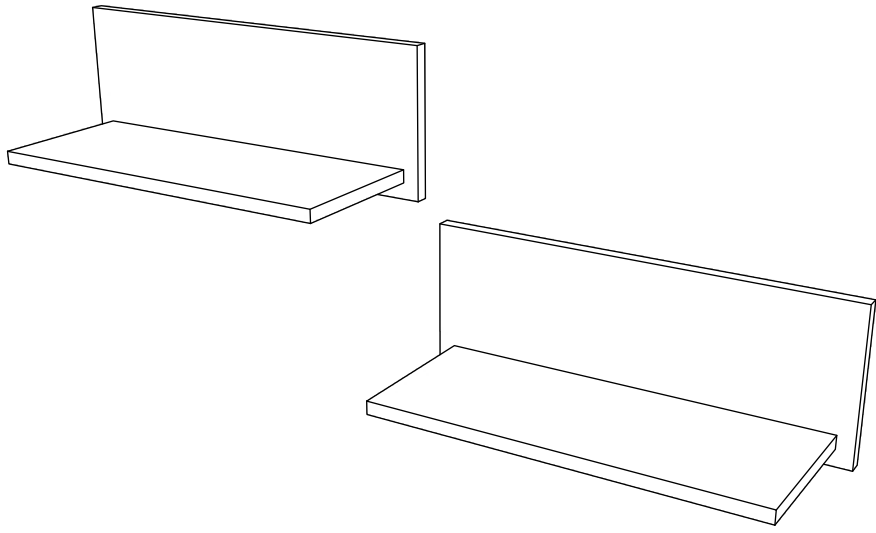
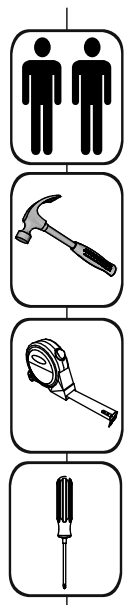
RO

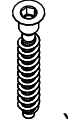
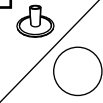



NUMAR	LUNGIME	LATIME	BUC	CULOARE
1	500	184	2	CULOARE
2	460	184	2	CULOARE

EN

NUMBER	LENGHT	WIDTH	PCS	COLOUR
1	500	184	2	COLOUR
2	460	184	2	COLOUR



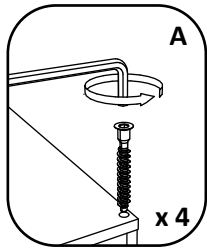
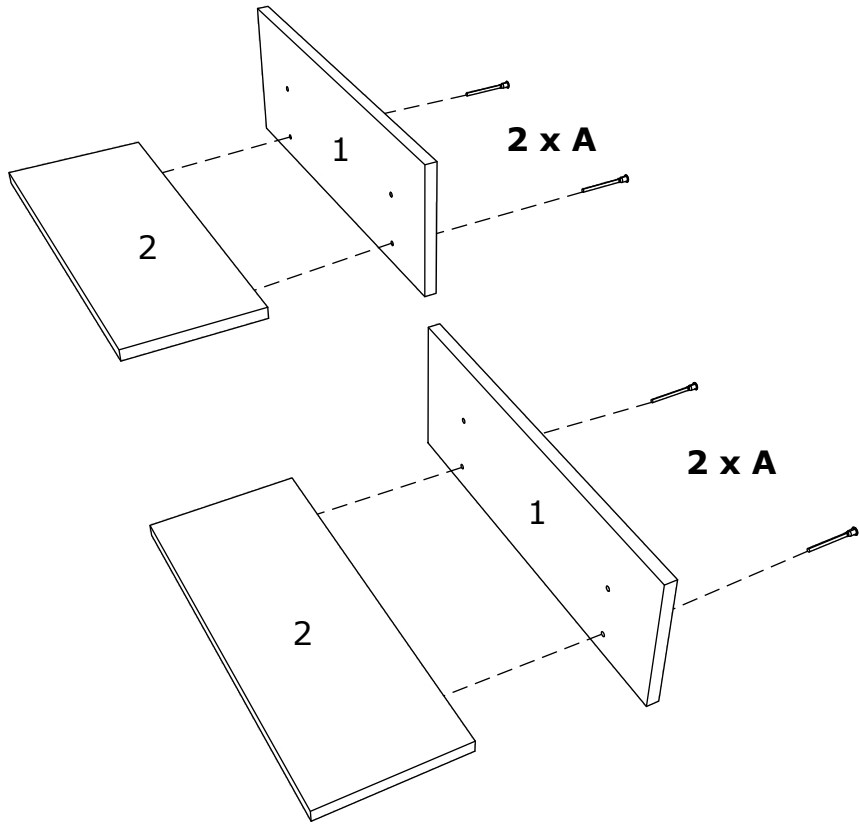


A  7x50mm x 4	A*  x 4	B  6x80mm x 4	C  x 4	D  x 1
--	---	--	--	--

EN

NUMBER	LENGHT	WIDTH	PCS	COLOUR
1	500	184	2	COLOUR
2	460	184	2	COLOUR

1



2

