

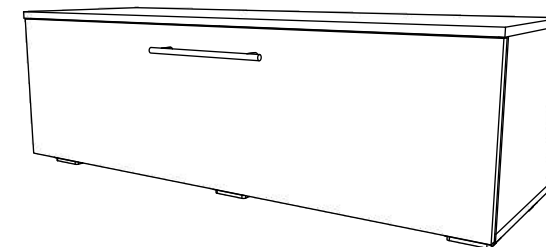
**RO** INSTRUCȚIUNI DE ASAMBLARE - **LIVING KOS - COMODA KOS 1 USA - 950 x 400 x 393 MM**

**EN** ASSEMBLY INSTRUCTIONS - **LIVING KOS - CABINET 1 DOOR - 950 x 400 x 393 MM**

**FR** ISTRUCTIONS DE MONTAGE - **VIVRE KOS - ARMOIRE 1 PORTE - 950 x 400 x 393 MM**

**HU** ÖSSZESZERELÉSI ÚTMUTATÓ - **ÉLŐ KOS - SZEKRÉNY 1 AJTÓ - 950 x 400 x 393 MM**

**BG** ИНСТРУКЦИИ ЗА СГЛОБЯВАНЕ - **ЖИВА КОС - ШКАФ 1 ВРАТА - 950 x 400 x 393 MM**



**RO**

| NUMAR | LUNGIME | LATIME | BUC | CULOARE     |
|-------|---------|--------|-----|-------------|
| 1     | 336     | 380    | 1   | CULOARE     |
| 2     | 336     | 380    | 1   | CULOARE     |
| 3     | 336     | 380    | 1   | CULOARE     |
| 4     | 952     | 400    | 1   | CULOARE     |
| 5     | 950     | 380    | 1   | CULOARE     |
| 6     | 946     | 348    | 1   | CULOARE     |
| 7     | 946     | 364    | 1   | PANOU SPATE |

**EN**

| NUMBER | LENGTH | WIDTH | PCS | COLOUR      |
|--------|--------|-------|-----|-------------|
| 1      | 336    | 380   | 1   | COLOUR      |
| 2      | 336    | 380   | 1   | COLOUR      |
| 3      | 336    | 380   | 1   | COLOUR      |
| 4      | 952    | 400   | 1   | COLOUR      |
| 5      | 950    | 380   | 1   | COLOUR      |
| 6      | 946    | 348   | 1   | COLOUR      |
| 7      | 946    | 364   | 1   | BACK PANNEL |

**HU**

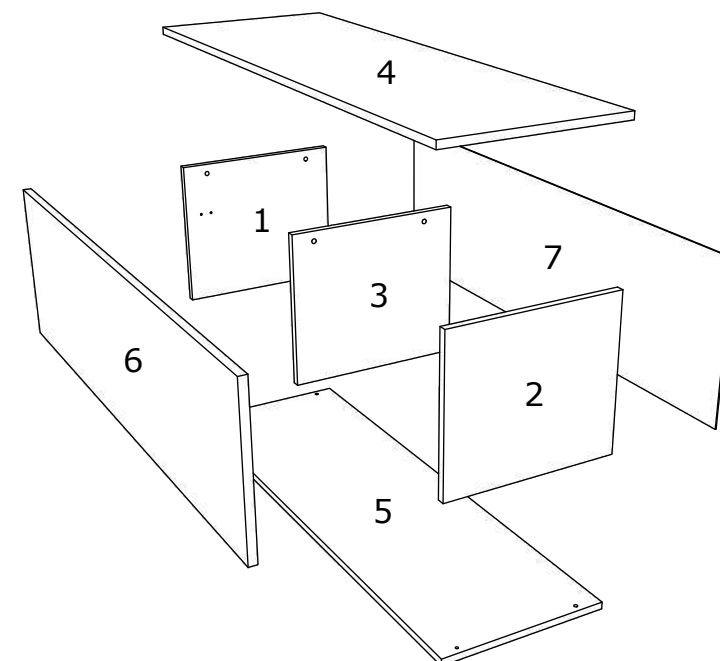
| SZÁM | HOSSZA | SZÉLES | DARAB | SZÍN          |
|------|--------|--------|-------|---------------|
| 1    | 336    | 380    | 1     | SZÍN          |
| 2    | 336    | 380    | 1     | SZÍN          |
| 3    | 336    | 380    | 1     | SZÍN          |
| 4    | 952    | 400    | 1     | SZÍN          |
| 5    | 950    | 380    | 1     | SZÍN          |
| 6    | 946    | 348    | 1     | SZÍN          |
| 7    | 946    | 364    | 1     | HÁTULSÓ PANEL |

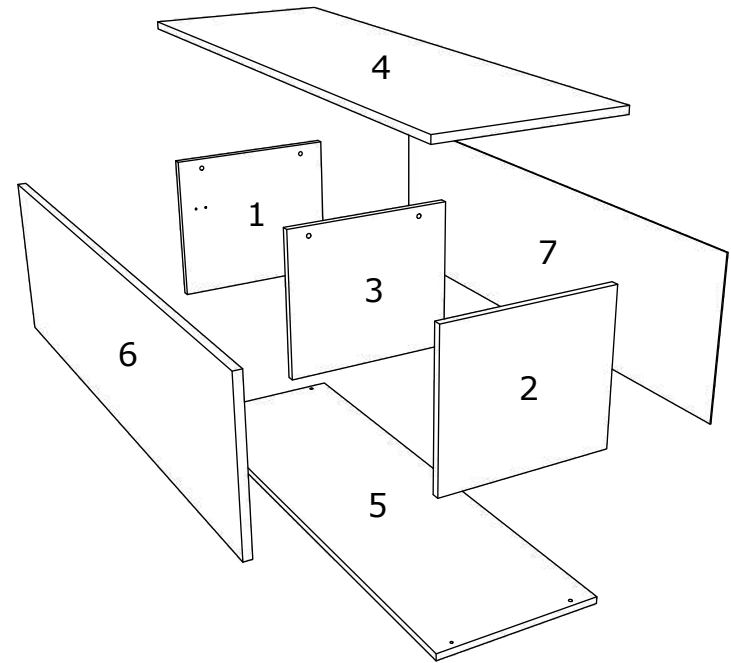
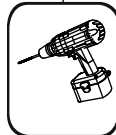
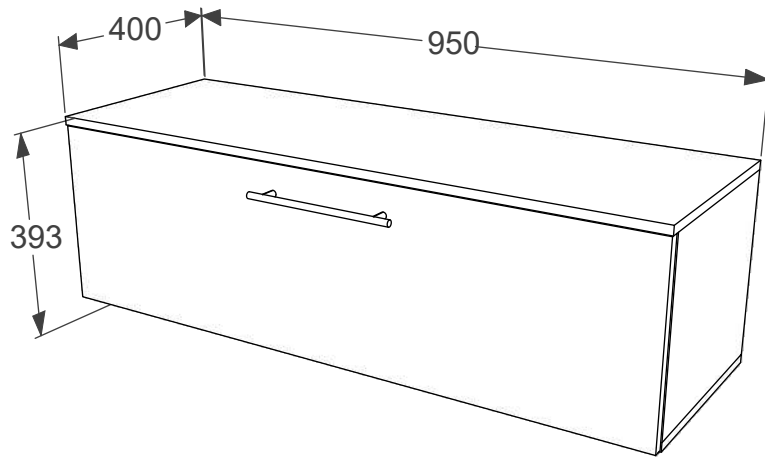
**BG**

| Номер | Дължина | Ширина | Парчета | Цвят        |
|-------|---------|--------|---------|-------------|
| 1     | 336     | 380    | 1       | Цвят        |
| 2     | 336     | 380    | 1       | Цвят        |
| 3     | 336     | 380    | 1       | Цвят        |
| 4     | 952     | 400    | 1       | Цвят        |
| 5     | 950     | 380    | 1       | Цвят        |
| 6     | 946     | 348    | 1       | Цвят        |
| 7     | 946     | 364    | 1       | Заден панел |

**FR**

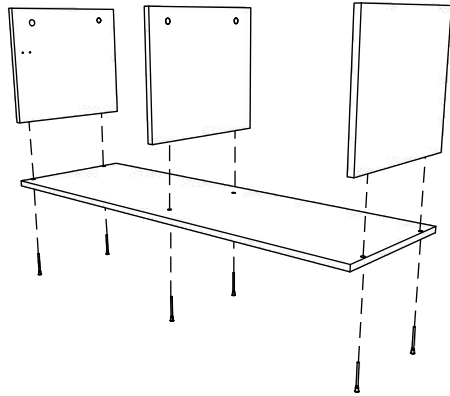
| NOMBRE | LONGUEUR | LARGEUR | PIÈCES | COULEUR         |
|--------|----------|---------|--------|-----------------|
| 1      | 336      | 380     | 1      | COULEUR         |
| 2      | 336      | 380     | 1      | COULEUR         |
| 3      | 336      | 380     | 1      | COULEUR         |
| 4      | 952      | 400     | 1      | COULEUR         |
| 5      | 950      | 380     | 1      | COULEUR         |
| 6      | 946      | 348     | 1      | COULEUR         |
| 7      | 946      | 364     | 1      | PANNEAU ARRIÈRE |



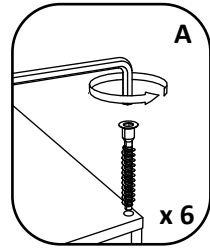


|   |        |   |      |   |        |   |             |   |     |   |             |
|---|--------|---|------|---|--------|---|-------------|---|-----|---|-------------|
| A | 7x50mm | B |      | C | 25 mm  | D | 4 x 22mm    | E |     | F |             |
|   | x 6    |   | x 25 |   | x 6    |   | x 2         |   | x 6 |   | x 6         |
| G |        | H |      | I | 320 mm | J | 3.5 x 25 mm | K |     | L | 3.5 x 16 mm |
|   | x 6    |   | x 2  |   | x 1    |   | x 12        |   | x 1 |   | x 16        |
|   |        | M |      |   |        |   |             |   |     |   |             |
|   |        |   | x 2  |   |        |   |             |   |     |   |             |

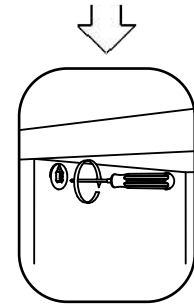
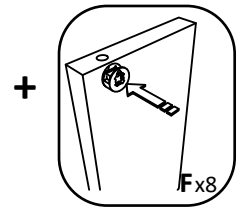
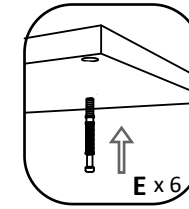
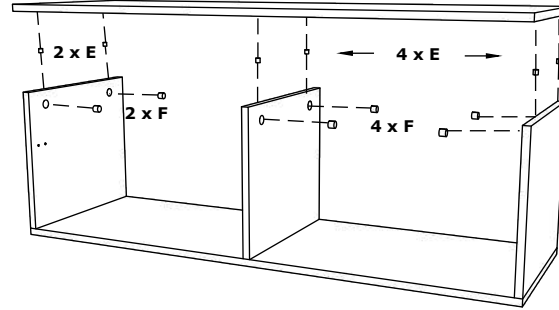
| No | B   | b   | x |
|----|-----|-----|---|
| 1  | 336 | 380 | 1 |
| 2  | 336 | 380 | 1 |
| 3  | 336 | 380 | 1 |
| 4  | 952 | 400 | 1 |
| 5  | 950 | 380 | 1 |
| 6  | 946 | 348 | 1 |
| 7  | 946 | 364 | 1 |



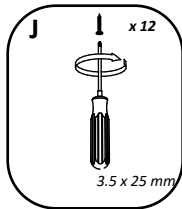
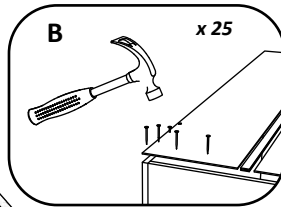
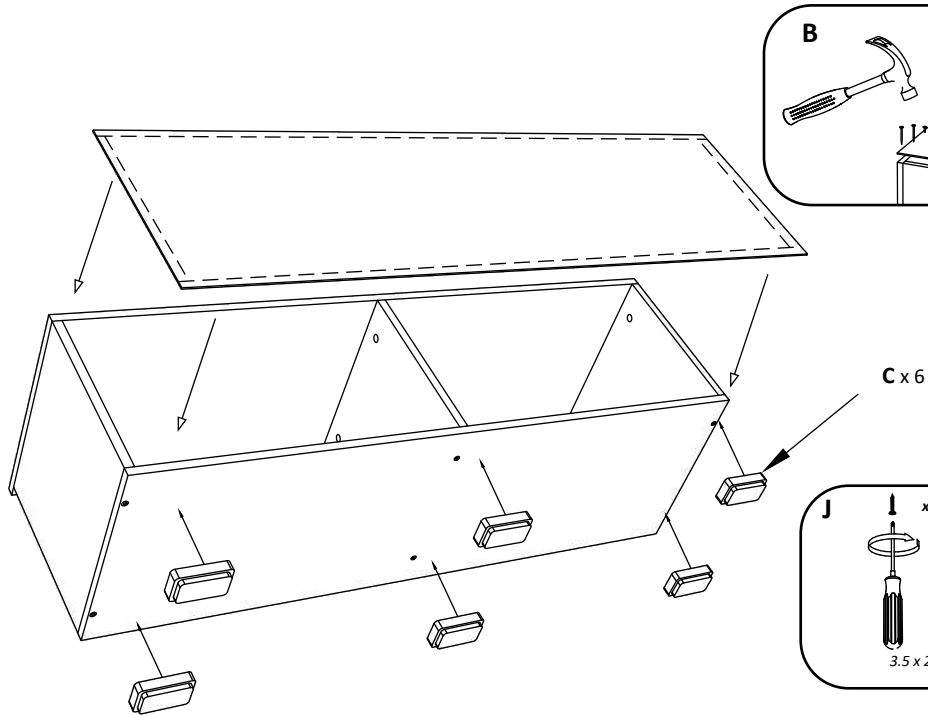
6 x A



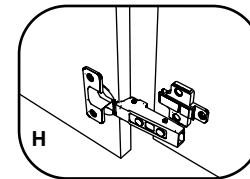
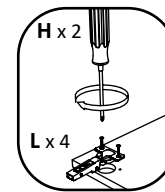
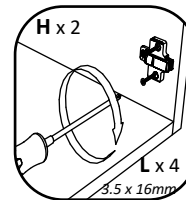
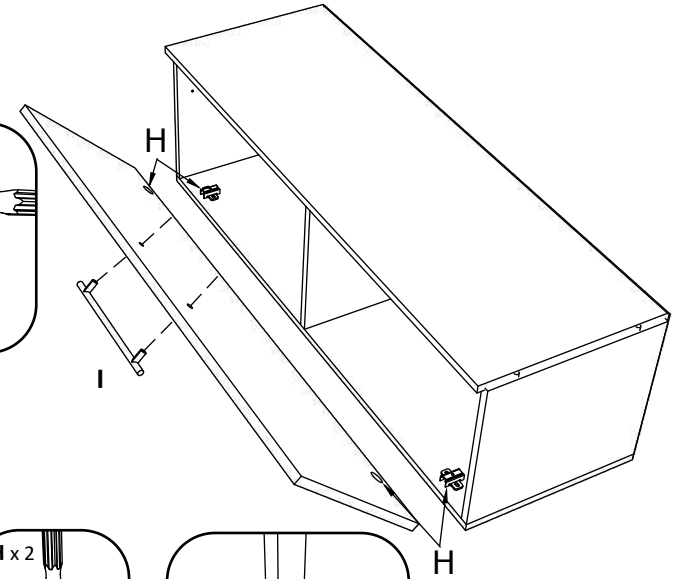
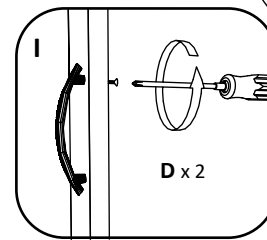
1



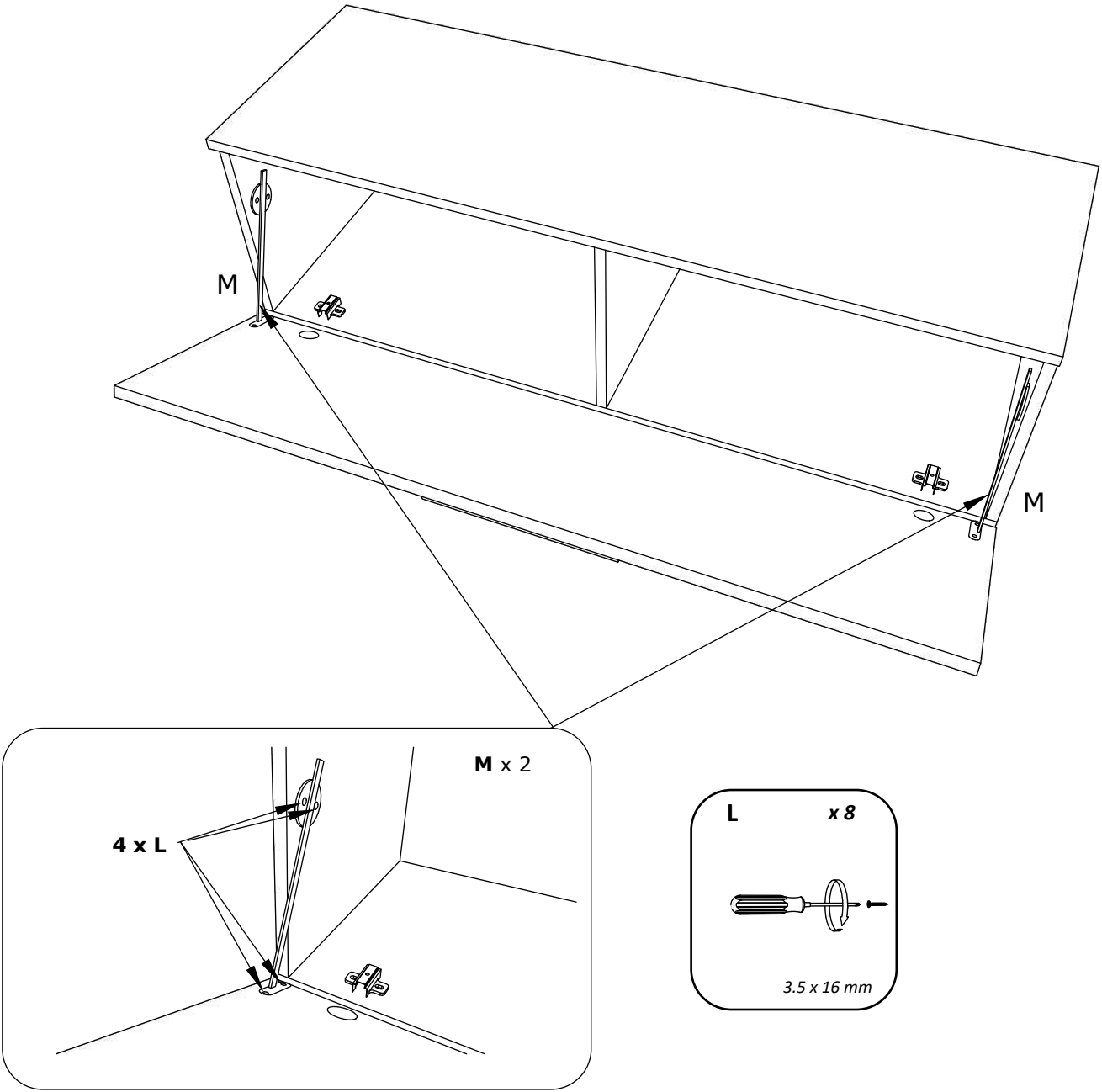
2



3



4



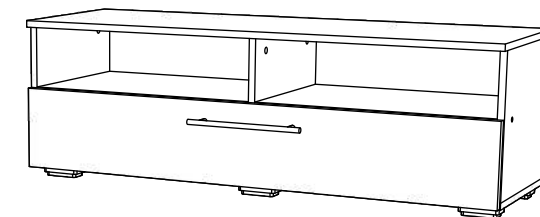
**RO** INSTRUCȚIUNI DE ASAMBLARE - **LIVING KOS - COMODA 1 USA SI 2 POLITE- 950 x 400 x 393 MM**

**EN** ASSEMBLY INSTRUCTIONS - **LIVING KOS - CABINET 1 DOOR WITH PLACE - 950 x 400 x 393 MM**

**FR** ISTRUCTIONS DE MONTAGE - **VIVRE KOS - ARMOIRE 1 PORTE AVEC PLACE- 950 x 400 x 393 MM**

**HU** ÖSSZESZERELÉSI ÚTMUTATÓ - **ÉLŐ KOS - SZEKRÉNY 1 AJTÓ HELYEL- 950 x 400 x 393 MM**

**BG** ИНСТРУКЦИИ ЗА СГЛОБЯВАНЕ - **ЖИВА КОС - ШКАФ 1 ВРАТА С МЯСТО- 950 x 400 x 393 MM**



**RO**

| NUMAR | LUNGIME | LATIME | BUC | CULOARE     |
|-------|---------|--------|-----|-------------|
| 1     | 336     | 380    | 1   | CULOARE     |
| 2     | 336     | 380    | 1   | CULOARE     |
| 3     | 336     | 380    | 1   | CULOARE     |
| 4     | 952     | 400    | 1   | CULOARE     |
| 5     | 950     | 380    | 1   | CULOARE     |
| 6     | 946     | 198    | 1   | CULOARE     |
| 7     | 946     | 364    | 1   | PANOU SPATE |
| 8     | 451     | 380    | 1   | CULOARE     |
| 9     | 451     | 380    | 1   | CULOARE     |

**EN**

| NUMBER | LENGTH | WIDTH | PCS | COLOUR      |
|--------|--------|-------|-----|-------------|
| 1      | 336    | 380   | 1   | COLOUR      |
| 2      | 336    | 380   | 1   | COLOUR      |
| 3      | 336    | 380   | 1   | COLOUR      |
| 4      | 952    | 400   | 1   | COLOUR      |
| 5      | 950    | 380   | 1   | COLOUR      |
| 6      | 946    | 198   | 1   | COLOUR      |
| 7      | 946    | 364   | 1   | BACK PANNEL |
| 8      | 451    | 380   | 1   | COLOUR      |
| 9      | 451    | 380   | 1   | COLOUR      |

**HU**

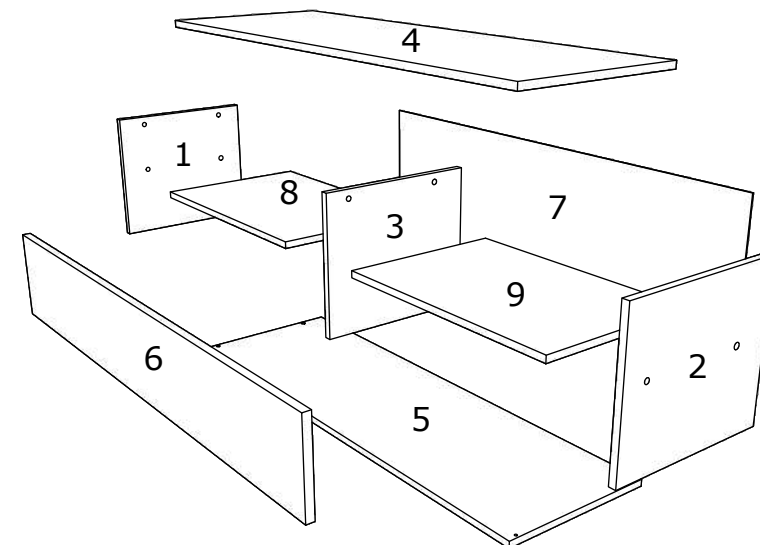
| SZÁM | HOSSZA | SZÉLES | DARAB | SZÍN          |
|------|--------|--------|-------|---------------|
| 1    | 336    | 380    | 1     | SZÍN          |
| 2    | 336    | 380    | 1     | SZÍN          |
| 3    | 336    | 380    | 1     | SZÍN          |
| 4    | 952    | 400    | 1     | SZÍN          |
| 5    | 950    | 380    | 1     | SZÍN          |
| 6    | 946    | 198    | 1     | SZÍN          |
| 7    | 946    | 364    | 1     | HÁTULSÓ PANEL |
| 8    | 451    | 380    | 1     | SZÍN          |
| 9    | 451    | 380    | 1     | SZÍN          |

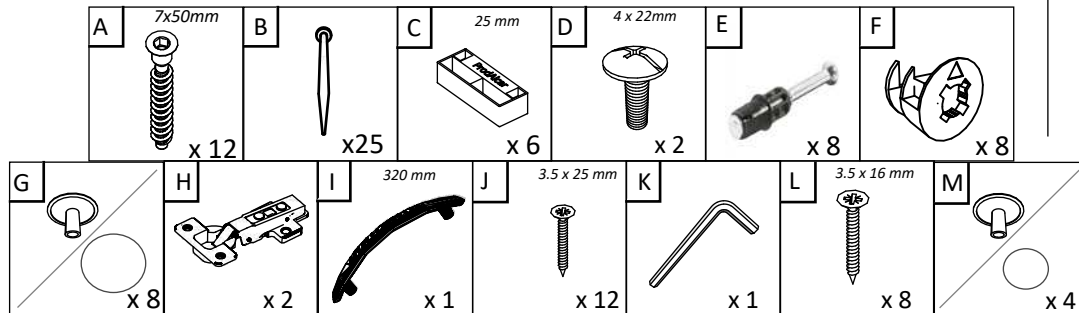
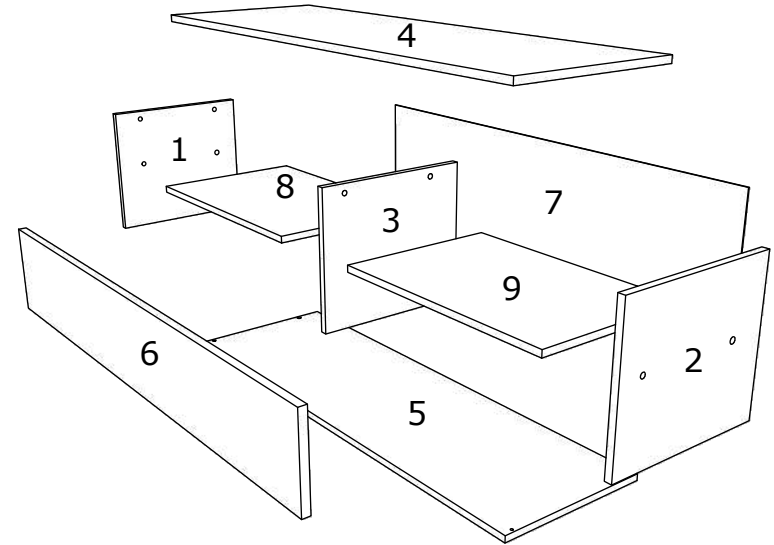
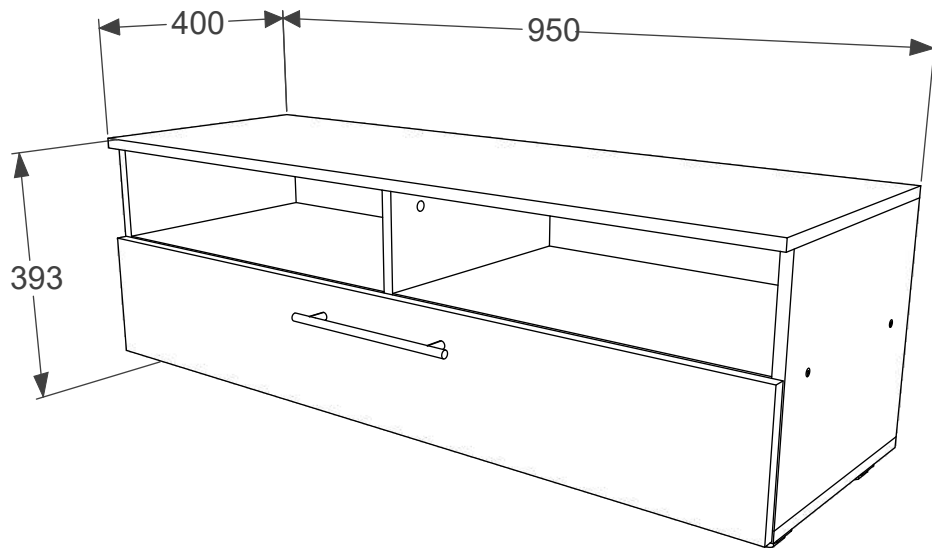
**BG**

| Номер | Дължина | Ширина | Парчета | Цвят        |
|-------|---------|--------|---------|-------------|
| 1     | 336     | 380    | 1       | Цвят        |
| 2     | 336     | 380    | 1       | Цвят        |
| 3     | 336     | 380    | 1       | Цвят        |
| 4     | 952     | 400    | 1       | Цвят        |
| 5     | 950     | 380    | 1       | Цвят        |
| 6     | 946     | 198    | 1       | Цвят        |
| 7     | 946     | 364    | 1       | Заден панел |
| 8     | 451     | 380    | 1       | Цвят        |
| 9     | 451     | 380    | 1       | Цвят        |

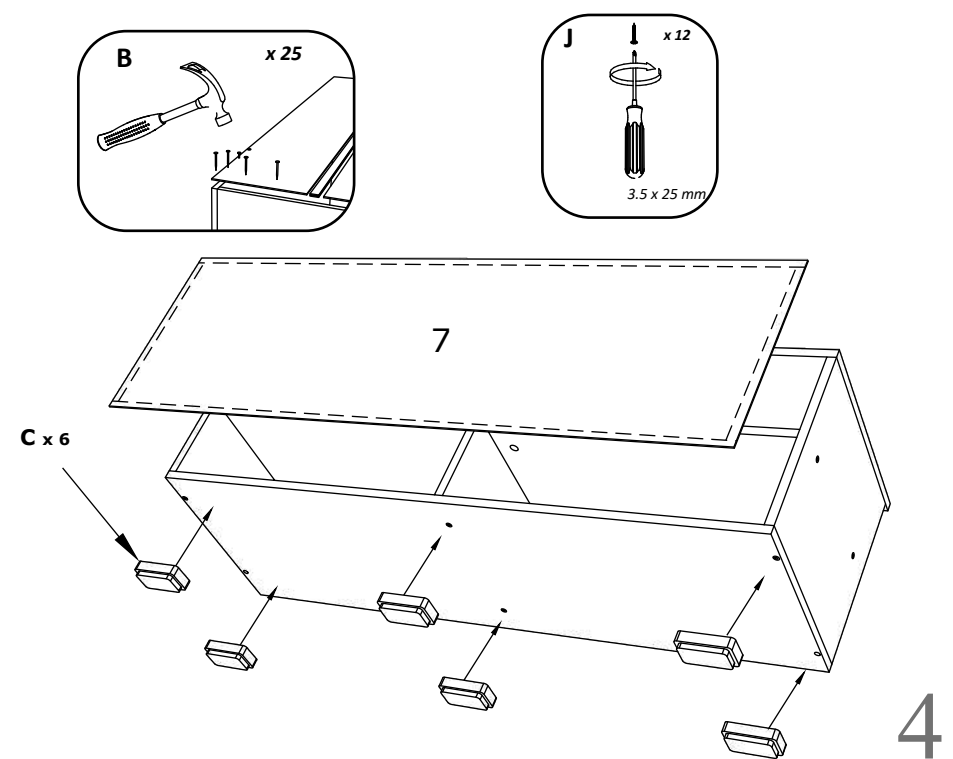
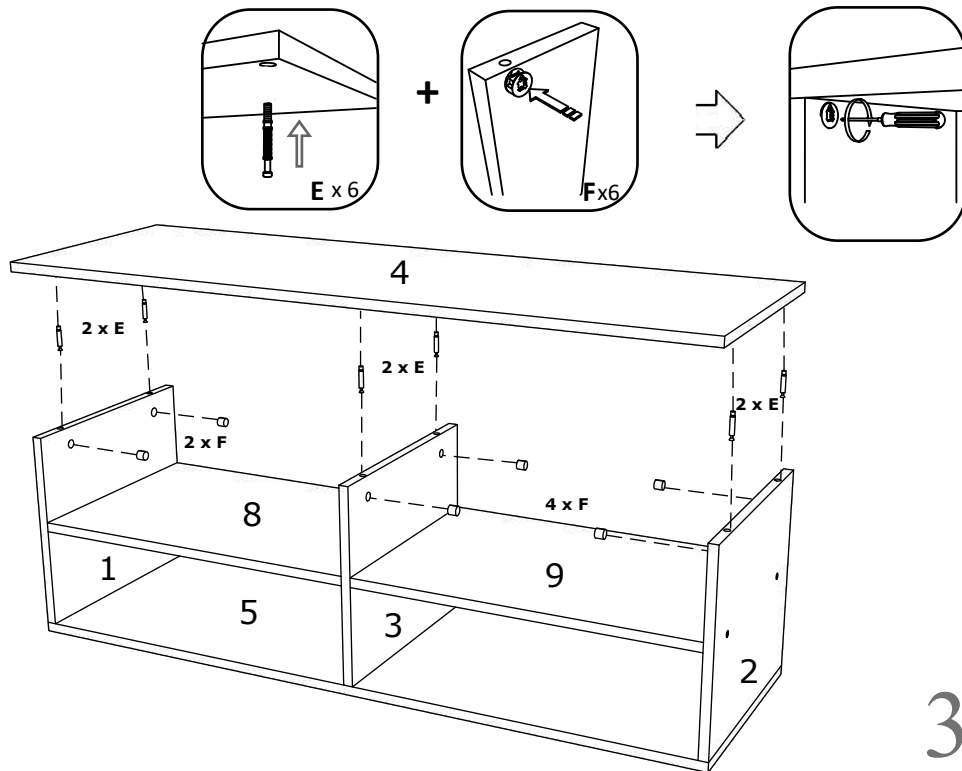
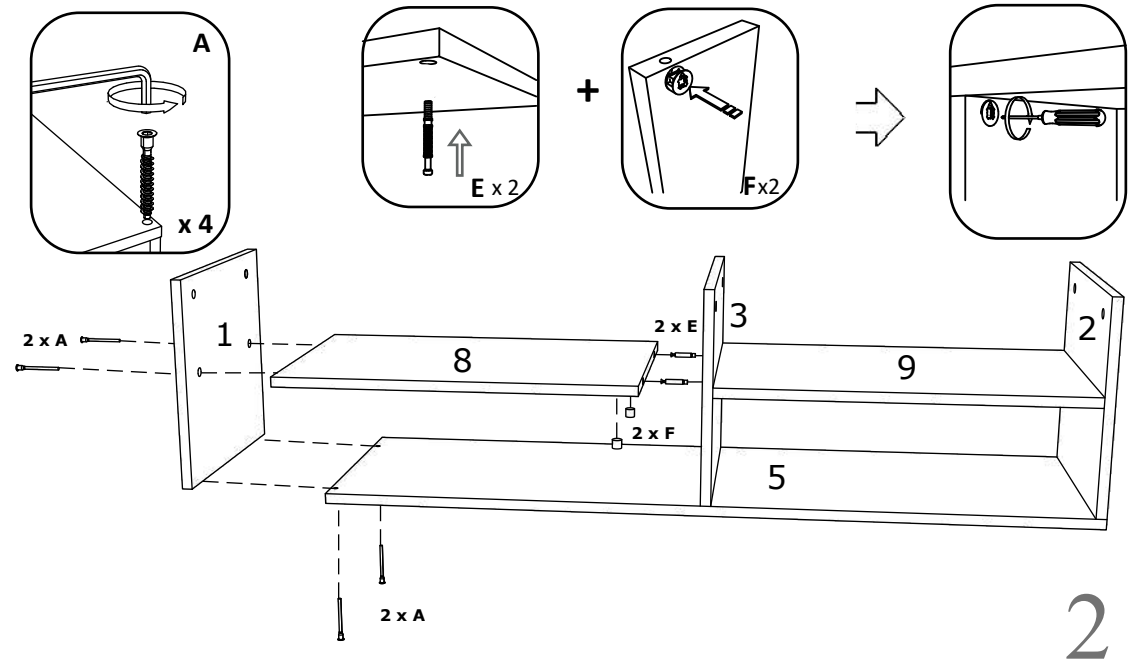
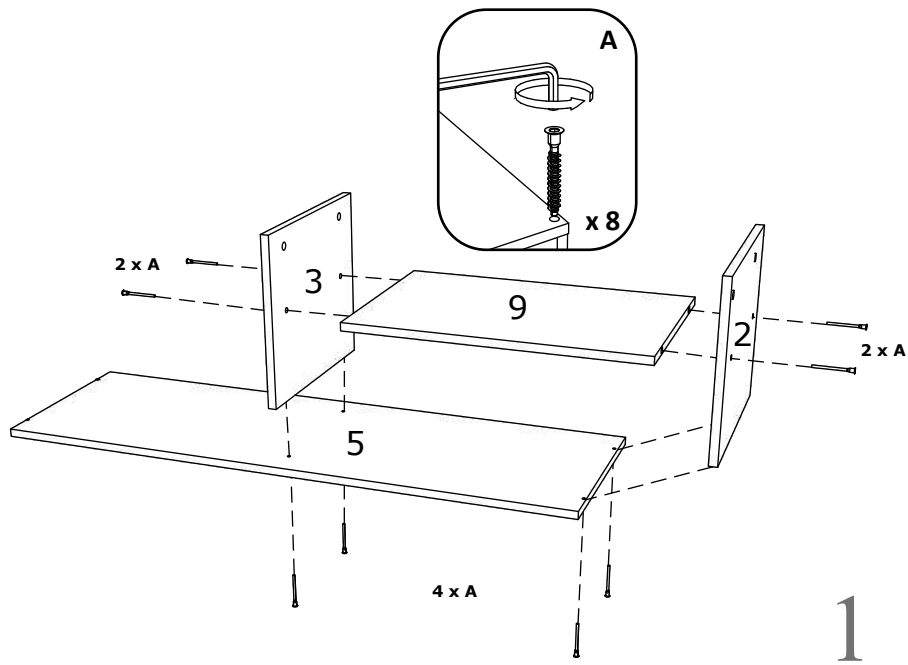
**FR**

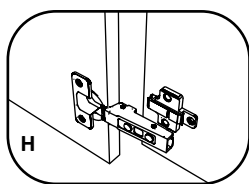
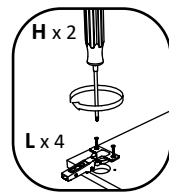
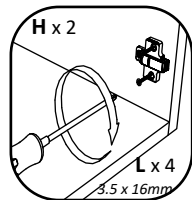
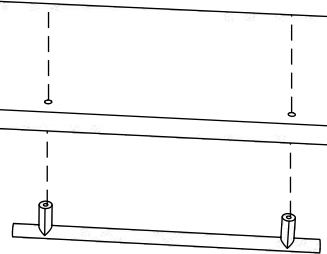
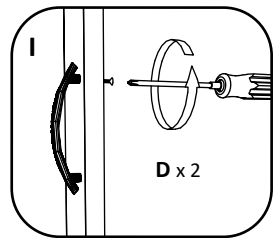
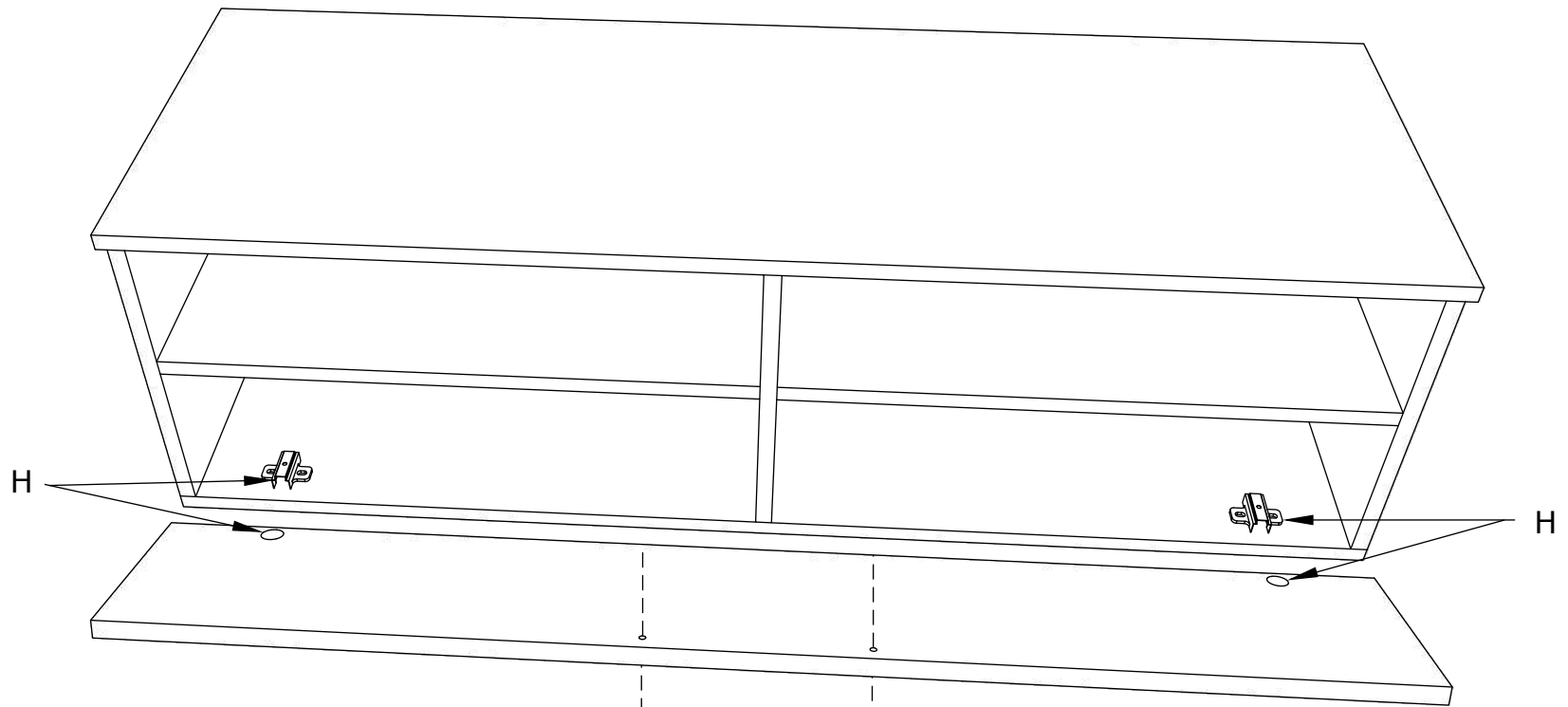
| NOMBRE | LONGUEUR | LARGEUR | PIÈCES | COULEUR         |
|--------|----------|---------|--------|-----------------|
| 1      | 336      | 380     | 1      | COULEUR         |
| 2      | 336      | 380     | 1      | COULEUR         |
| 3      | 336      | 380     | 1      | COULEUR         |
| 4      | 952      | 400     | 1      | COULEUR         |
| 5      | 950      | 380     | 1      | COULEUR         |
| 6      | 946      | 198     | 1      | COULEUR         |
| 7      | 946      | 364     | 1      | PANNEAU ARRIÈRE |
| 8      | 451      | 380     | 1      | COULEUR         |
| 9      | 451      | 380     | 1      | COULEUR         |





| No | B   | b   | x |
|----|-----|-----|---|
| 1  | 336 | 380 | 1 |
| 2  | 336 | 380 | 1 |
| 3  | 336 | 380 | 1 |
| 4  | 952 | 400 | 1 |
| 5  | 950 | 380 | 1 |
| 6  | 946 | 198 | 1 |
| 7  | 946 | 364 | 1 |
| 8  | 451 | 380 | 1 |
| 9  | 451 | 380 | 1 |







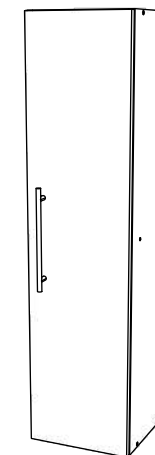
**RO** INSTRUCȚIUNI DE ASAMBLARE - **LIVING KOS - SOLDAT 1 USA - 950 x 300 x 300 MM**

**EN** ASSEMBLY INSTRUCTIONS - **LIVING KOS - 1 DOOR HIGH CABINET - 950 x 300 x 300 MM**

**FR** ISTRUCTIONS DE MONTAGE - **VIVRE KOS - ARMOIRE HAUTE 1 PORTE1 - 950 x 300 x 300 MM**

**HU** ÖSSZESZERELÉSI ÚTMUTATÓ - **ÉLŐ KOS - 1 AJTÓS MAGAS SZEKRENY - 950 x 300 x 300 MM**

**BG** ИНСТРУКЦИИ ЗА СГЛОБЯВАНЕ - **ЖИВА КОС - ВИСОК ШКАФ 1 ВРАТА - 950 x 300 x 300 MM**



**RO**

| NUMAR | LUNGIME | LATIME | BUC | CULOARE     |
|-------|---------|--------|-----|-------------|
| 1     | 950     | 280    | 1   | CULOARE     |
| 2     | 950     | 280    | 1   | CULOARE     |
| 3     | 268     | 280    | 2   | CULOARE     |
| 4     | 268     | 268    | 2   | CULOARE     |
| 5     | 946     | 296    | 1   | CULOARE     |
| 6     | 946     | 296    | 1   | PANOU SPATE |

**EN**

| NUMBER | LENGTH | WIDTH | PCS | COLOUR      |
|--------|--------|-------|-----|-------------|
| 1      | 950    | 280   | 1   | COLOUR      |
| 2      | 950    | 280   | 1   | COLOUR      |
| 3      | 268    | 280   | 2   | COLOUR      |
| 4      | 268    | 268   | 2   | COLOUR      |
| 5      | 946    | 296   | 1   | COLOUR      |
| 6      | 946    | 296   | 1   | BACK PANNEL |

**HU**

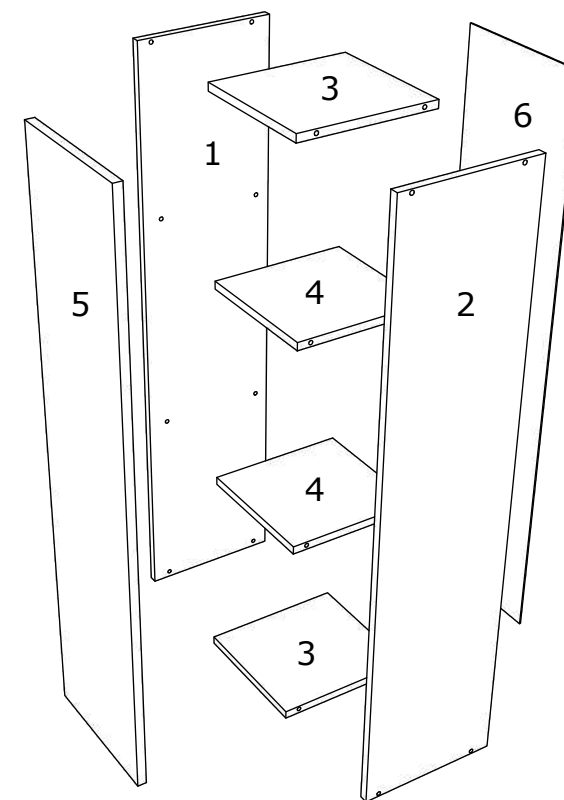
| SZÁM | HOSSZA | SZÉLES | DARAB | SZÍN          |
|------|--------|--------|-------|---------------|
| 1    | 950    | 280    | 1     | SZÍN          |
| 2    | 950    | 280    | 1     | SZÍN          |
| 3    | 268    | 280    | 2     | SZÍN          |
| 4    | 268    | 268    | 2     | SZÍN          |
| 5    | 946    | 296    | 1     | SZÍN          |
| 6    | 946    | 296    | 1     | HÁTULSÓ PANEL |

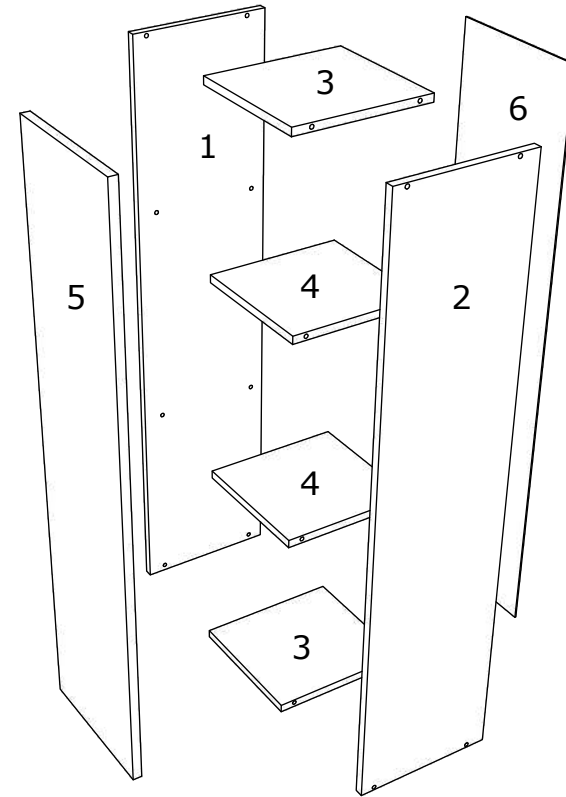
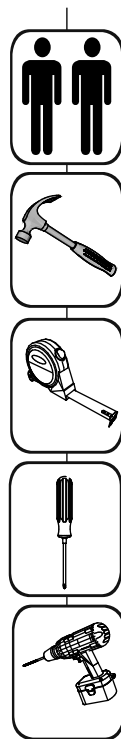
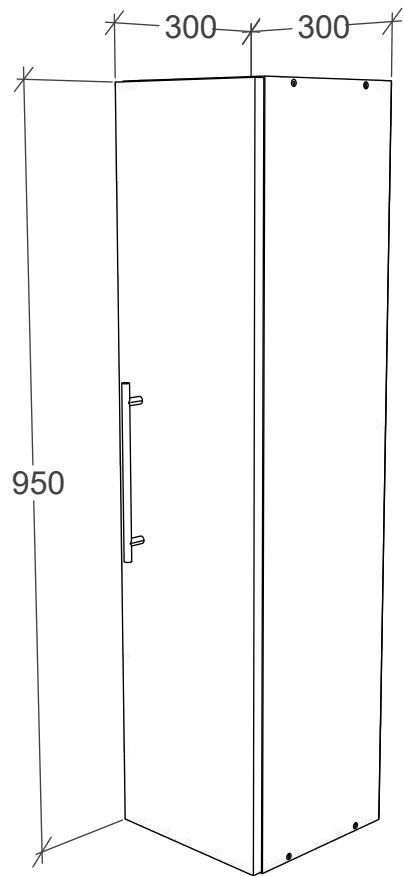
**BG**

| Номер | Дължина | Ширина | Парчета | Цвят        |
|-------|---------|--------|---------|-------------|
| 1     | 950     | 280    | 1       | Цвят        |
| 2     | 950     | 280    | 1       | Цвят        |
| 3     | 268     | 280    | 2       | Цвят        |
| 4     | 268     | 268    | 2       | Цвят        |
| 5     | 946     | 296    | 1       | Цвят        |
| 6     | 946     | 296    | 1       | Заден панел |

**FR**

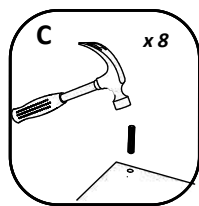
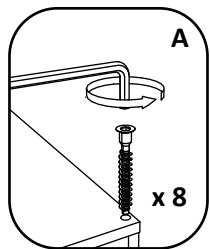
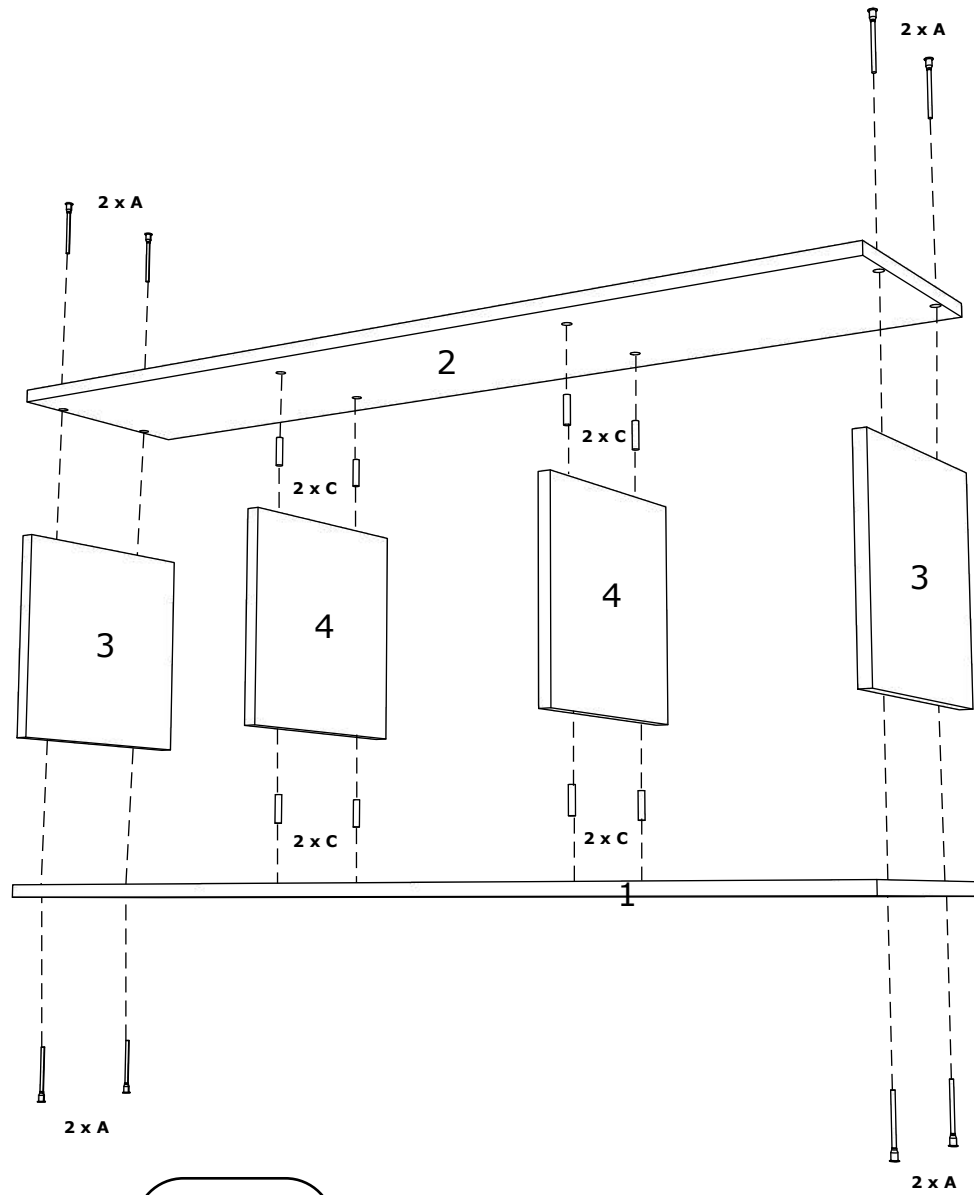
| NOMBRE | LONGUEUR | LARGEUR | PIÈCES | COULEUR         |
|--------|----------|---------|--------|-----------------|
| 1      | 950      | 280     | 1      | COULEUR         |
| 2      | 950      | 280     | 1      | COULEUR         |
| 3      | 268      | 280     | 2      | COULEUR         |
| 4      | 268      | 268     | 2      | COULEUR         |
| 5      | 946      | 296     | 1      | COULEUR         |
| 6      | 946      | 296     | 1      | PANNEAU ARRIÈRE |



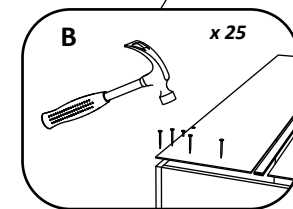
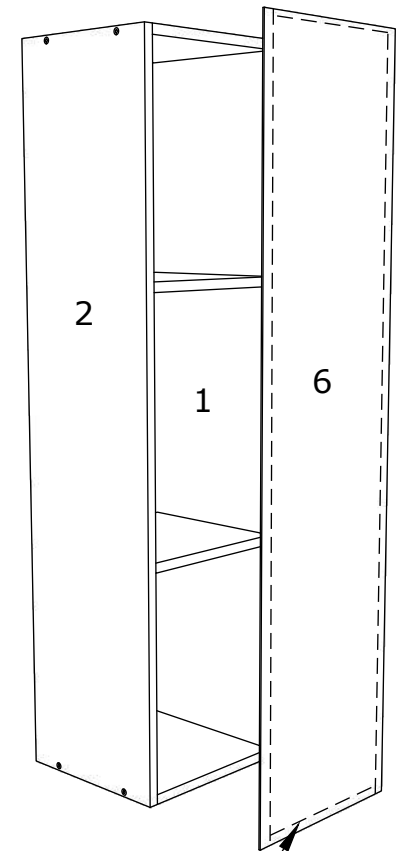


|   |        |   |      |   |        |   |          |   |     |   |             |
|---|--------|---|------|---|--------|---|----------|---|-----|---|-------------|
| A | 7x50mm | B |      | C |        | D | 4 x 22mm | E |     | F | 6x80mm      |
|   | x 8    |   | x 25 |   | x 8    |   | x 2      |   | x 2 |   | x 2         |
| G |        | H |      | I | 320 mm | J |          | K |     | L | 3.5 x 16 mm |
|   | x 2    |   | x 2  |   | x 1    |   | x 8      |   | x 1 |   | x 22        |
| M |        | N |      | O |        |   |          |   |     |   |             |
|   | x 2    |   | x 2  |   | x 2    |   |          |   |     |   |             |

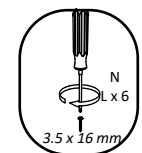
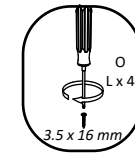
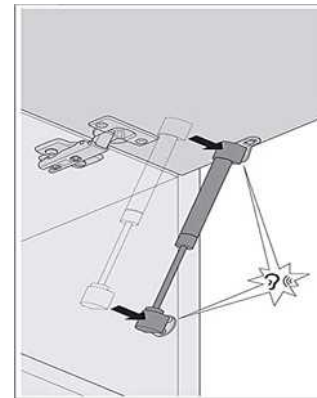
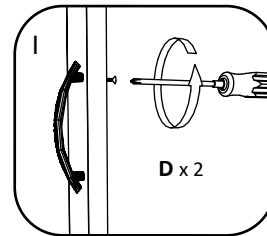
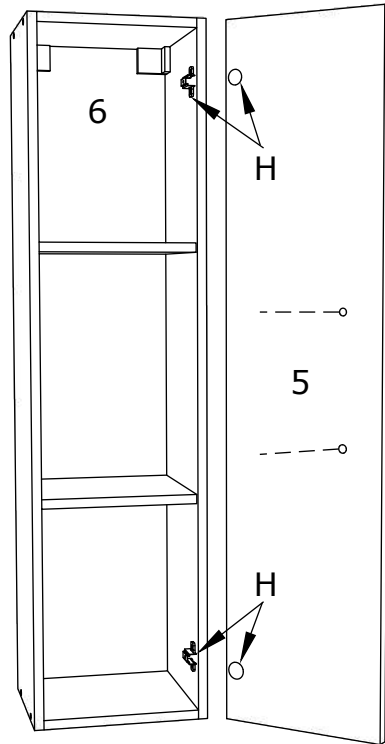
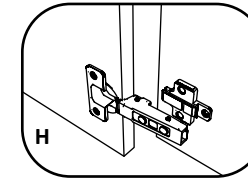
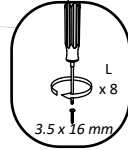
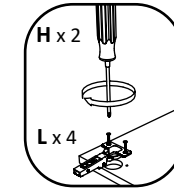
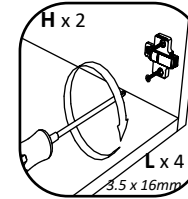
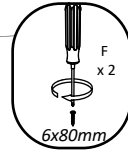
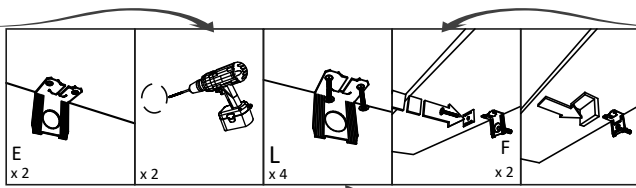
| No | B   | b   | x |
|----|-----|-----|---|
| 1  | 950 | 280 | 1 |
| 2  | 950 | 280 | 1 |
| 3  | 268 | 280 | 2 |
| 4  | 268 | 268 | 2 |
| 5  | 946 | 296 | 1 |
| 6  | 946 | 296 | 1 |



1



2



OR

